

**REVLON MITCHUM CLINICAL GEL- aluminum zirconium octachlorohydrate gly liquid liquid
Revlon Consumer Products Corp**

Disclaimer: Most OTC drugs are not reviewed and approved by FDA, however they may be marketed if they comply with applicable regulations and policies. FDA has not evaluated whether this product complies.

Revlon Mitchum Clinical Gel

Aluminum Zirconium Octachlorohydrate Gly 20%

Purpose

Antiperspirant

Warnings:

For external use only.

Do not use on broken skin

Ask a doctor before use if you have kidney disease

Stop use if rash or irritation occurs

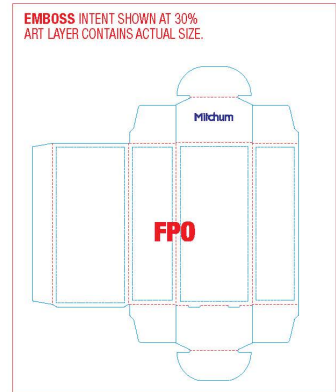
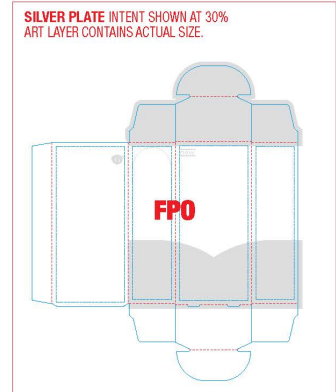
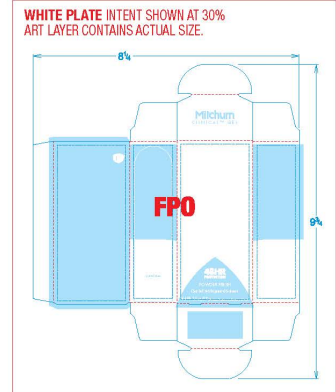
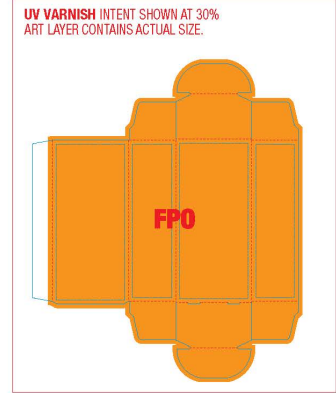
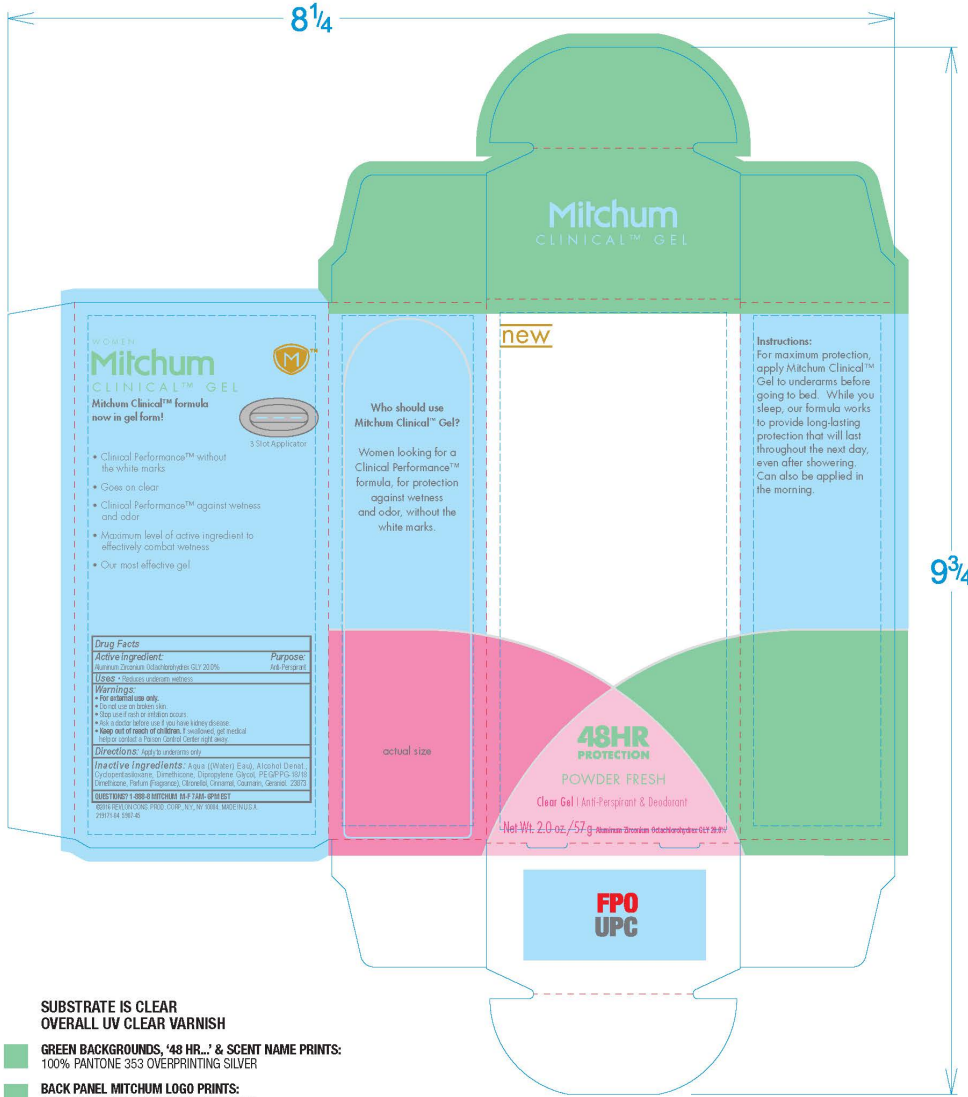
If swallowed, get medical help or contact a Poison Control Center right away.

Inactive Ingredients

Aqua ((Water) Eau), Alcohol Denat., Cyclopentasiloxane, Dimethicone, Dipropylene Glycol, PEG/PPG-18/18 Dimethicone, Parfum (Fragrance), Citronellol, Cinnamal, Coumarin, Geraniol

Reduces underarm wetness

**MITCHUM CLINICAL WOMENS GEL 2.0 OZ POWDER FRESH U.S.
CARTON
TM02053 / 5987-45
8.25"W x 9.75"H**



- SUBSTRATE IS CLEAR
OVERALL UV CLEAR VARNISH**
- **GREEN BACKGROUNDS, '48 HR...' & SCENT NAME PRINTS:**
100% PANTONE 353 OVERPRINTING SILVER
 - **BACK PANEL MITCHUM LOGO PRINTS:**
100% PANTONE 353 OVERPRINTING WHITE
 - **PINK BACKGROUND PRINTS:**
100% PANTONE 204 OVERPRINTING SILVER
 - **LIGHT PINK BACKGROUND PRINTS:**
50% PANTONE 204 OVERPRINTING WHITE
 - **BARCODE, GRAY TEXT & STROKES PRINT:**
100% PANTONE COOL GRAY 9 OVERPRINTING WHITE
 - **LIGHT GRAY ILLUSTRATION PRINTS:**
40% PANTONE COOL GRAY 9 OVERPRINTING WHITE
 - **TOP PANEL LOGO, WHITE STROKE & WHITE BACKGROUNDS PRINT:**
2 HITS OF 100% WHITE
 - **DARK PINK TEXT PRINTS:**
100% PANTONE 205 OVERPRINTING SILVER
 - **M SHIELD, NEW & RULES PRINT:**
100% PANTONE 117 OVERPRINTING SILVER
 - **TOP PANEL 'MITCHUM' LOGO:**
WILL BE EMBOSSSED
 - **CYAN RULES REPRESENT DIE AND MEASUREMENTS:**
DO NOT PRINT
 - - - **RED DASHED RULES REPRESENT CREASES:**
DO NOT PRINT
 - - - **CYAN DASHED RULES REPRESENT LIVE TEXT AREA:**
DO NOT PRINT

UPC: 309975987454

ATHEM
135 Spring Street, 3rd Floor
New York, NY 10012 646.344.4841

ACCOUNT MITCHUM 205 OVERPRINTING SILVER
DESIGN

PRINTING INFORMATION
NOTE: Athem receives this artwork to the highest standards. It is the responsibility of our client to report all copy requirements, warnings, controls and other legally required copy for accuracy before releasing the artwork for production. *This print may not be accurate for color.*

STOCK 219171-04
PRODUCT 5987-45

BC Mitchem Project Jelly Bean
(US) Women Gel 2oz Carton - Powder Fresh

FILE NAME: 090909a_BC_Mitchem_WJ_Dns_Carton_US_Powder_RELEASE.ai
DESIGNER: cdf/rg

DATELINE 7-23-15_Bov_Mitchem_JellyBean_PowderFresh_Carton_USA.ai
COPY/REX:

SPR COLOR:
■ PANTONE 353 ■ PANTONE 204 ■ PANTONE 205 ■ PANTONE 117 ■ SILVER ■ WHITE 1 ■ WHITE 2
■ UV VARNISH ■ SUBSTRATE: CLEAR ■ EFFECT: EMBOSS

ART RELEASE 09.04.15

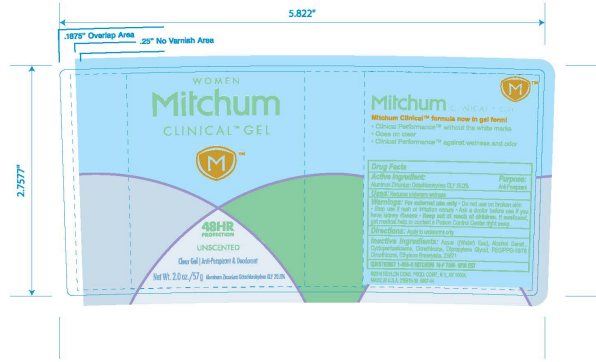
CLIENT: REVILON **PROGRAM:** 15-5955
BRAND: MITCHUM **PROJECT:** TM02053
DESIGNER: MEI **TRACES:** 22873

TRANSMISSION: MET 22873

ARTWORK COMPONENTS												
Day	Task/step	Prepress/Mark	Setup/Color	In-Sight/Block/Prepress	Off-Set/Print	Off-Set/Spew	Off-Set/Plate	Off-Set/Plate	Off-Set/Plate	Off-Set/Plate	Off-Set/Plate	Off-Set/Plate

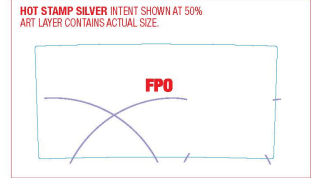
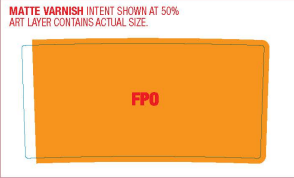
Mitchum Roll On

**MITCHUM WOMEN'S CLINICAL GEL UNSCENTED USA
WRAP LABEL
TM02052 / 5987-44
5.822" W X 2.7577" H**



SUBSTRATE IS SILVER

- SILVER ARCHES:**
HOT STAMP SHINY SILVER FOIL
- GREEN PANEL, WOMEN MITCHUM CLINICAL, 48HR AND SCENT NAME PRINT:**
100% PANTONE 353
- MITCHUM CLINICAL AND BULLETED COPY ON BACK PANEL PRINTS:**
100% PANTONE 353
- BLUE BACKGROUND PRINTS:**
100% PANTONE 545
- LIGHT BLUE BACKGROUND PRINTS:**
50% PANTONE 545 OVER WHITE
- BLUE TYPE PRINTS:**
100% PANTONE 542
- WHITE BACKGROUND PRINTS:**
100% WHITE (2 HITS)
- DRUG FACTS BOX AND TYPE PRINTS:**
100% PANTONE 353 OVER WHITE
- 'M SHIELDS' AND GOLD COPY PRINTS:**
100% PANTONE 117 OVER SUBSTRATE
- CYAN RULES REPRESENT DIE AND MEASUREMENTS:**
DO NOT PRINT
- CYAN DASHED RULES REPRESENT CREASES:**
DO NOT PRINT



AITHM
1300 Spring Street, 3rd Floor
Newark, NJ 07102 | 908.584.4081

BC Mitchum Project Jelly bean
(US) Women Gel Zoz - Unscented

DESCRIPTION: kg

LINE: Mitchum_Jellybean_Unscented_WrapLabel_USA_02141

DATE: 2/25/21

SEVER: 25371

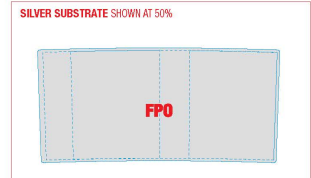
ART RELEASE 08/31/15

CLIENT: REVLON PREPARED: 15/5/06

DESIGNER: MITCHUM PROJECT: TM02052

DIMENSIONS: 5.822" x 2.7577"

NETWORK COMMENTS											
NO.	Substrate	Material	Color	Spot	Color	Color	Color	Color	Color	Color	Color
1											



REVLON MITCHUM CLINICAL GEL

aluminum zirconium octachlorohydrate gly liquid liquid

Product Information

Product Type	HUMAN OTC DRUG	Item Code (Source)	NDC:10967-632
Route of Administration	TOPICAL		

Active Ingredient/Active Moiety

Ingredient Name	Basis of Strength	Strength
ALUMINUM ZIRCONIUM OCTACHLOROXYDREX GLY (UNII: P9D3YP29MY) (ALUMINUM ZIRCONIUM OCTACHLOROXYDREX GLY - UNII:P9D3YP29MY)	ALUMINUM ZIRCONIUM OCTACHLOROXYDREX GLY	0.2 g in 1 mL

Inactive Ingredients

Ingredient Name	Strength
WATER (UNII: 059QF0K00R)	
ALCOHOL (UNII: 3K9958V90M)	
DIMETHICONE (UNII: 92RU3N3Y1O)	
PEG/PPG-18/18 DIMETHICONE (UNII: 9H0AO7T794)	
COUMARIN (UNII: A4VZ22K1WT)	
DIPROPYLENE GLYCOL (UNII: E107L85C40)	
CYCLOMETHICONE 5 (UNII: 0THT5PC10R)	
.BETA.-CITRONELLOL, (R)- (UNII: P010UT964K)	

GERANIOL (UNII: L837108USY)

Packaging

#	Item Code	Package Description	Marketing Start Date	Marketing End Date
1	NDC:10967-632-02	59 mL in 1 CONTAINER; Type 0: Not a Combination Product	11/30/2015	

Marketing Information

Marketing Category	Application Number or Monograph Citation	Marketing Start Date	Marketing End Date
OTC monograph final	part350	11/30/2015	

REVLON MITCHUM CLINICAL GEL

aluminum zirconium octachlorohydrex gly liquid liquid

Product Information

Product Type	HUMAN OTC DRUG	Item Code (Source)	NDC:10967-633
Route of Administration	TOPICAL		

Active Ingredient/Active Moiety

Ingredient Name	Basis of Strength	Strength
ALUMINUM ZIRCONIUM OCTACHLOROXYDREX GLY (UNII: P9D3YP29MY) (ALUMINUM ZIRCONIUM OCTACHLOROXYDREX GLY - UNII:P9D3YP29MY)	ALUMINUM ZIRCONIUM OCTACHLOROXYDREX GLY	0.2 g in 1 mL

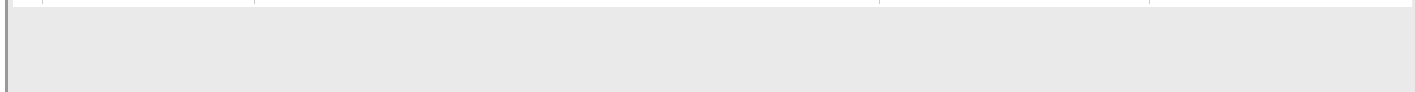
Inactive Ingredients

Ingredient Name	Strength
WATER (UNII: 059QF0KO0R)	
ALCOHOL (UNII: 3K9958V90M)	
DIMETHICONE (UNII: 92RU3N3Y1O)	
PEG/PPG-18/18 DIMETHICONE (UNII: 9H0AO7T794)	
COUMARIN (UNII: A4VZ22K1WT)	
DIPROPYLENE GLYCOL (UNII: E107L85C40)	
CYCLOMETHICONE 5 (UNII: 0THT5PCI0R)	
.BETA.-CITRONELLOL, (R)- (UNII: P01OUT964K)	
GERANIOL (UNII: L837108USY)	

Packaging

#	Item Code	Package Description	Marketing Start Date	Marketing End Date
1	NDC:10967-633-02	59 mL in 1 CONTAINER; Type 0: Not a Combination Product	11/30/2015	

2	NDC:10967-633-60	17 mL in 1 CONTAINER; Type 0: Not a Combination Product	11/30/2015
---	------------------	---	------------



Marketing Information

Marketing Category	Application Number or Monograph Citation	Marketing Start Date	Marketing End Date
OTC monograph final	part350	11/30/2015	



Labeler - Revlon Consumer Products Corp (788820165)

Establishment

Name	Address	ID/FEI	Business Operations
REVLON, INC.		809725570	manufacture(10967-632, 10967-633)

Revised: 11/2019

Revlon Consumer Products Corp