

## **MALIN AND GOETZ ACNE TREATMENT- sulfur cream**

### **Malin and Goetz Inc**

*Disclaimer: Most OTC drugs are not reviewed and approved by FDA, however they may be marketed if they comply with applicable regulations and policies. FDA has not evaluated whether this product complies.*

-----

### **Acne treatment Nighttime**

Active ingredient purpose

Sulfur 10% Acne Treatment

#### **Uses**

- treats acne
- dries up acne pimples
- helps prevent acne pimples

Keep out of reach of children. If swallowed, get medical help or contact a poison control center right away.

Skin irritation and dryness is more likely to occur if you use another topical acne medication at the same time. If irritation occurs, only use one topical acne medication at a time.

#### **Warnings**

##### **For External Use only**

When using this product

- apply only to areas with acne

##### **Do not use**

- on broken skin
- or large areas of skin

#### **Directions**

- Clean skin thoroughly before applying this product
- cover the affected area with a thin layer once a day
- if bothersome dryness or peeling occurs, reduce application to once every other day

#### **Inactive Ingredients**

Isopropyl Alcohol, Water, Zinc Oxide, Camphor, Salicylic Acid, Magnesium Aluminum Silicate

(Malin + Goetz)

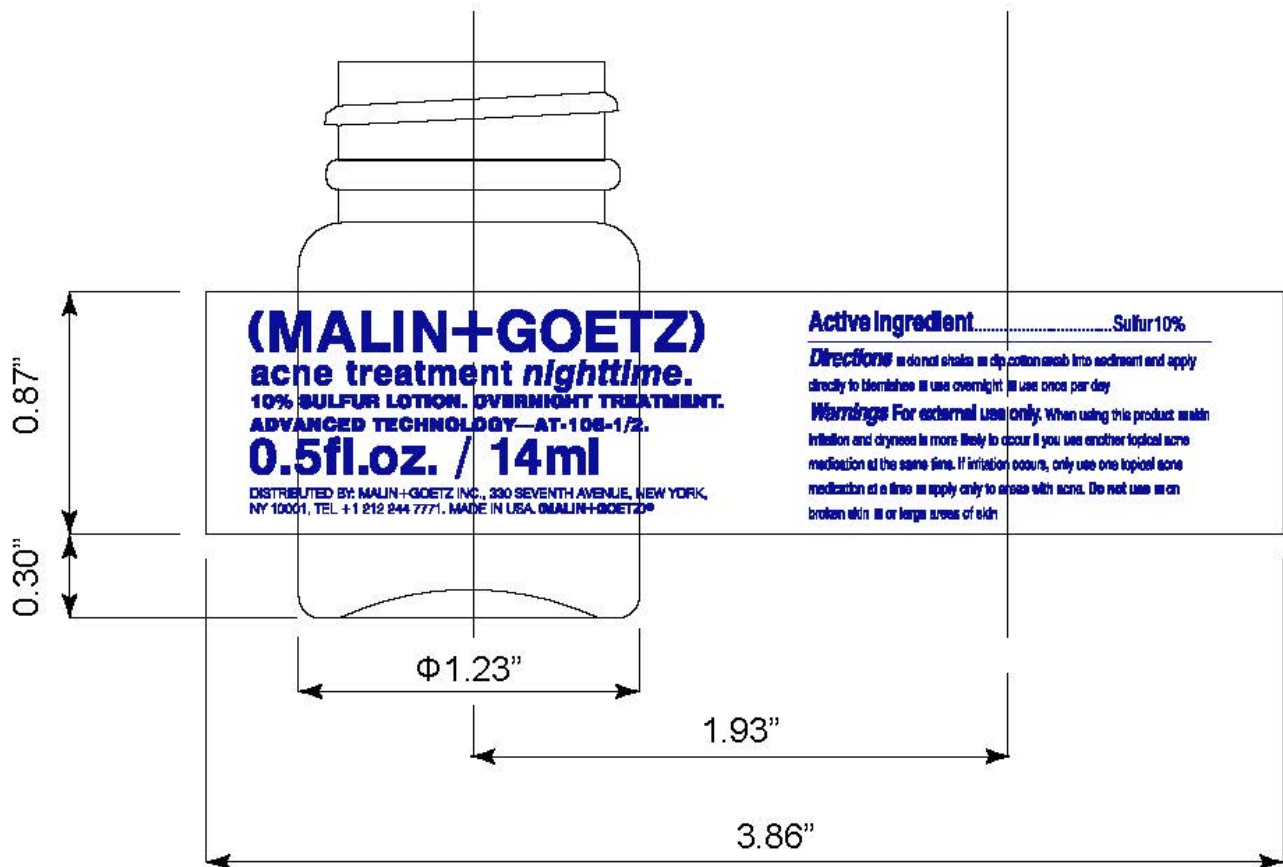
acne treatment nighttime

10% Sulfur lotion. Overnight Treatment

Advanced Technology

.5 fl. oz. 14ml





## MALIN AND GOETZ ACNE TREATMENT

sulfur cream

### Product Information

<b>Product Type</b>	HUMAN OTC DRUG	<b>Item Code (Source)</b>	NDC:53634-010
<b>Route of Administration</b>	TOPICAL		

### Active Ingredient/Active Moiety

Ingredient Name	Basis of Strength	Strength
<b>SULFUR</b> (UNII: 70FD1KFU70) (SULFUR - UNII:70FD1KFU70)	SULFUR	10 g in 100 mL

### Inactive Ingredients

Ingredient Name	Strength
<b>ISOPROPYL ALCOHOL</b> (UNII: ND2M416302)	
<b>WATER</b> (UNII: 059QF0KO0R)	
<b>ZINC OXIDE</b> (UNII: SOI2LOH54Z)	
<b>CAMPHOR (SYNTHETIC)</b> (UNII: 5TJD82A1ET)	
<b>SALICYLIC ACID</b> (UNII: O414PZ4LPZ)	
<b>MAGNESIUM ALUMINUM SILICATE</b> (UNII: 6M3P64V0NC)	

**Packaging**

#	Item Code	Package Description	Marketing Start Date	Marketing End Date
1	NDC:53634-010-02	1 in 1 CARTON	11/05/2012	
1	NDC:53634-010-01	14.75 mL in 1 JAR; Type 0: Not a Combination Product		

**Marketing Information**

Marketing Category	Application Number or Monograph Citation	Marketing Start Date	Marketing End Date
OTC monograph final	M006	11/05/2012	

**Labeler** - Malin and Goetz Inc (138615930)

Revised: 11/2022

Malin and Goetz Inc