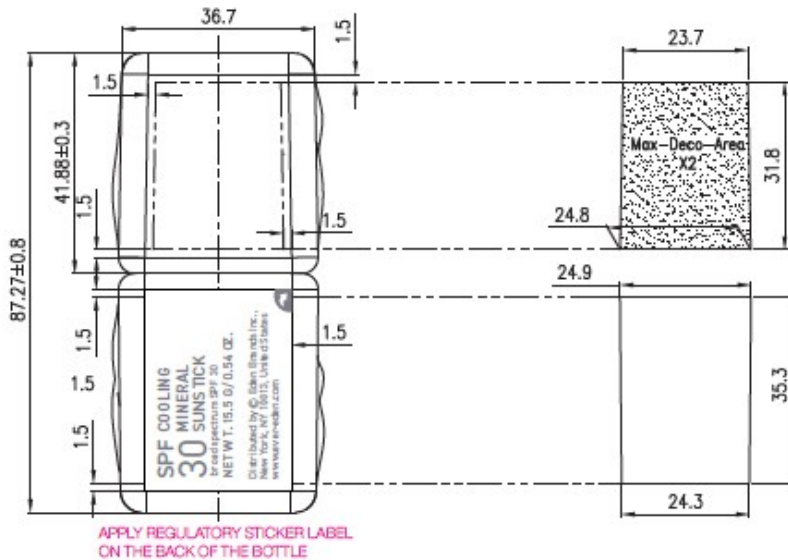


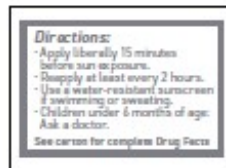
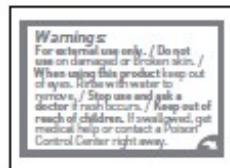
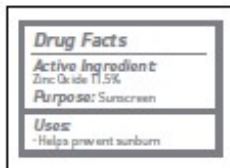
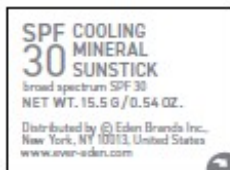
# EVEREDEN COOLING MINERAL SUNSTICK SPF 30- zinc oxide stick Eden Brands Inc.

## Cooling Mineral Sunstick SPF30



EXISTING SPF 30 SUNSCREEN STICK COLOR

LABEL DIMENSIONS: 38.5MM X 28MM



Zinc Oxide 11.5%

Sunscreen

Uses:

- Helps prevent sunburn
- For external use only.

Do not use on damaged or broken skin.

When using this product keep out of eyes. Rinse with water to remove.

Stop use and ask a doctor if rash occurs.

Keep out of reach of children. If swallowed, get medical help or contact a Poison Control Center right away.

Directions:

- Apply liberally 15 minutes before sun exposure.
- Reapply at least every 2 hours.
- Use a water-resistant sunscreen if swimming or sweating.
- Children under 6 months of age: Ask a doctor.
- Sun Protection Measures:

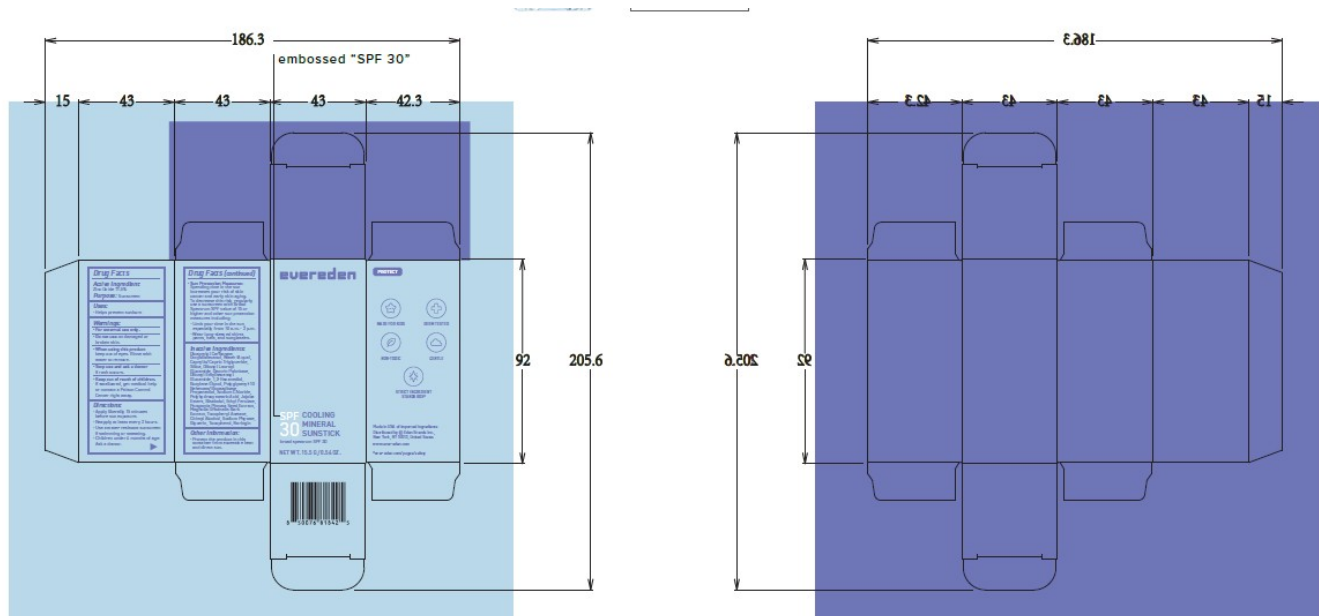
Spending time in the sun increases your risk of skin cancer and early skin aging. To decrease this risk, regularly use a sunscreen with Broad Spectrum SPF value of 15 or higher and other sun protection

measures including:

- Limit your time in the sun, especially from 10 a.m. - 2 p.m.
- Wear long-sleeved shirts, pants, hats, and sunglasses.

Dicaprylyl Carbonate, Octyldodecanol, Water (Aqua), Caprylic/Capric Triglyceride, Silica, Dibutyl Lauroyl Glutamide, Dextrin Palmitate, Dibutyl Ethylhexanoyl Glutamide, 1,2-Hexanediol, Butylene Glycol, Polyglyceryl-10 Behenate/Eicosadioate, Propanediol, Sodium Chloride, Polyhydroxystearic Acid, Jojoba Esters, Bisabolol, Ethyl Ferulate, Pongamia Pinnata Seed Extract, Magnolia Officinalis Bark Extract, Tocopheryl Acetate, Chimyl Alcohol, Sodium Phytate, Glycerin, Tocopherol, Naringin

Protect the product in this container from excessive heat and direct sun.



## EVEREDEN COOLING MINERAL SUNSTICK SPF 30

zinc oxide stick

### Product Information

<b>Product Type</b>	HUMAN OTC DRUG	<b>Item Code (Source)</b>	NDC:72113-115
<b>Route of Administration</b>	TOPICAL		

## Active Ingredient/Active Moiety

Ingredient Name	Basis of Strength	Strength
ZINC OXIDE (UNII: SOI2LOH54Z) (ZINC OXIDE - UNII:SOI2LOH54Z)	ZINC OXIDE	115 mg in 1 g

## Inactive Ingredients

Ingredient Name	Strength
SODIUM CHLORIDE (UNII: 451W47IQ8X)	
POLYHYDROXYSTEARIC ACID (2300 MW) (UNII: YXH47AOU0F)	
NARINGIN (UNII: N7TD9J649B)	
GLYCERYL BEHENATE/EICOSADIOATE (UNII: 73CJJ317SR)	
PROPANEDIOL (UNII: 5965N8W85T)	
DIBUTYL ETHYLHEXANOYL GLUTAMIDE (UNII: 0IAF2L30VS)	
.ALPHA.-TOCOPHEROL ACETATE (UNII: 9E8X80D2L0)	
GLYCERIN (UNII: PDC6A3C0OX)	
DICAPRYLYL CARBONATE (UNII: 609A3V1SUA)	
CAPRYLIC/CAPRIC TRIGLYCERIDE (UNII: C9H2L21V7U)	
WATER (UNII: 059QF0KO0R)	
DEXTRIN PALMITATE (CORN; 20000 MW) (UNII: 89B2BSF9I3)	
BUTYLENE GLYCOL (UNII: 3XUS85K0RA)	
PONGAMIA PINNATA SEED (UNII: C2BRV53B1V)	
MAGNOLIA OFFICINALIS BARK (UNII: 5M609NV974)	
SILICON DIOXIDE (UNII: ETJ7Z6XBU4)	
TOCOPHEROL (UNII: R0ZB2556P8)	
HYDROGENATED JOJOBA OIL, RANDOMIZED (UNII: Q47ST02F58)	
DIBUTYL LAUROYL GLUTAMIDE (UNII: 3V7K3IA58X)	
SODIUM PHYTATE (UNII: 88496G1ERL)	
OCTYLDODECANOL (UNII: 461N1O614Y)	
ETHYL FERULATE (UNII: 5B8915UELW)	
CHIMYL ALCOHOL (UNII: UJ10V6YY6H)	
BISABOLOL (UNII: 24WE03BX2T)	
1,2-HEXANEDIOL (UNII: TR046Y3K1G)	

## Packaging

#	Item Code	Package Description	Marketing Start Date	Marketing End Date
1	NDC:72113-115-22	1 in 1 CARTON	05/19/2026	
1		15.5 g in 1 CANISTER; Type 0: Not a Combination Product		

## Marketing Information

Marketing Category	Application Number or Monograph Citation	Marketing Start Date	Marketing End Date
OTC Monograph Drug	M020	05/19/2026	

