

IRIS AND ROMEO WEEKEND SKIN MOISTURE LIP BALM - DAWN- zinc oxide lotion
Iris and Romeo

Iris and Romeo Weekend Skin Moisture Lip Balm - Dawn

Iris and Romeo Weekend Skin Moisture Lip Balm - Dawn



Dawn

Drug Facts
continued

Inactive Ingredients

Polyglyceryl-2
 Isostearyl Citrate
 Dimethacrylate Copolymer,
 Dimethacrylate Methyl,
 Jojoba Esters, Tocophyl
 Trimethyl Siloxane,
 Caprylic/Capric
 Triglyceride, Decyl
 Isostearate, Synthetic
 Beeswax, Silica,
 Polyglyceryl-2
 Dipolyhydromyristate,
 Iron Oxides (CI 77491),
 Tocopherol, Biscobolol,
 Phenylpropanol, C12-15
 Alkyl Benzoate,
 Propylolol, Isotrinin,
 Iron Oxides (CI 77492),
 Caprylyl Glycol, Mica, Iron
 Oxides (CI 77499),
 Menthyl Fluorone (Butyl)
 Fruit Oil, Parica
 Galactum (Pomegranate)
 Seed Oil, Polyglyceryl-4
 Dimethacrylate Polyhydromy
 stearate/Sebacate, Red 7
 (CI 15850), Blue 1 Lake
 (CI 42090),
 Hydrogenated Lecithin,
 Retinyl, Calcium Sulfate,
 Water/Aqua/Eau, Sodium
 Chloride

Questions or comments?

Call toll free
 1-800-685-1567 or visit us
 at www.irisandromeo.com

MADE WITHOUT:

- PEGs
- Parabens
- Phthalates
- Mineral Oil
- Sulfates: SLS & SLES
- Synthetic Fragrances

Iris & Romeo

WEEKEND SKIN SPF 30

MOISTURE LIP BALM

Broad Spectrum SPF 30 Sunscreen

Dawn

6.5g / 0.22 oz

MADE IN THE USA
 USING GLOBALLY
 SOURCED MATERIALS

IRISANDROMEO.COM

MADE IN USA

DIST BY
 IRISANDROMEO INC.,
 SAN FRANCISCO, CA
 94114



CRUELTY FREE VEGAN

USAGE:
 Apply directly to lips.

A mineral SPF 30 pigmented lip balm-oil hybrid that delivers creamy hydration and rich, nutrient dense oils to treat parched lips while protecting against sun exposure.

Drug Facts

Active Ingredient: Purpureo Zinc Oxide 10%..... Sunscreen

Uses

- Helps prevent sunburn
- If used as directed with other sun protection measures (see Directions), decreases the risk of skin cancer and early aging caused by the sun.

Warnings

For external use only
 Do not use on damaged or broken skin

Stop use and seek a doctor if rash occurs

Keep out of reach of children. If swallowed, get medical help or contact a Poison Control Center right away.

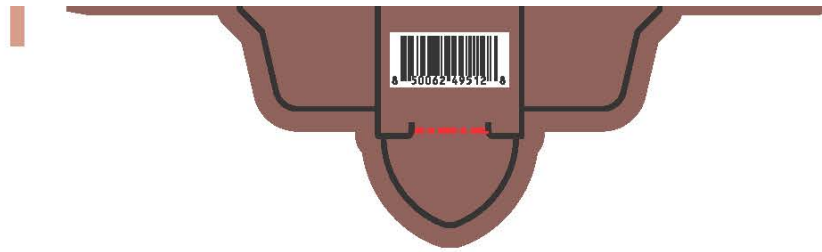
Directions

- apply liberally 15 minutes before sun exposure
- Reapply at least every 2 hours
- Children under 6 months of age: seek a doctor.
- Use water resistant sunscreen if swimming or sweating.
- Sun Protection Measures: Spending time in the sun increases your risk of skin cancer and early skin aging. To decrease this risk, regularly use a sunscreen with a broad spectrum SPF of 15 or higher and other sun protection measures including:
 - limit your time in the sun, especially from 10 a.m. - 2 p.m.
 - wear long-sleeved shirts, pants, hats, and sunglasses

Other Information

- protect the product in this container from excessive heat and direct sun.

Continued on next panel ▶



Iris and Romeo Weekend Skin Moisture Lip Balm - Dawn





Phenylpropanol, C12-15
Allyl Benzoate,
Prepared L-Aspartic
Acid Oxides (177492),
Copoly Glycol, Micro Iron
Oxides (177499),
Mauritia Fleucosa (Butif)
Fruit Oil, Punica
Granatum (Pomegranate)
Seed Oil, Polypropylene
Diisocyanate/Hydroxy
acetate/Sebaco, Red 7
(15850), Blue 1 Lake
(142890),
Hydrogenated Lecithin,
Rutin, Calcium Sulfate,
Water/Squalane, Sodium
Chloride.

**Questions or
comments?**
Call toll free
1-800-485-1547 or visit us
at www.IrisandRomeo.com

MADE IN THE USA
USING GLOBALLY
SOURCED MATERIALS
IRISANDROMEO.COM

MADE IN USA
DIST BY
IRIS & ROMEO INC.,
SAN FRANCISCO, CA
94114



**WEEKEND
SKIN SPF 30**

**MOISTURE
LIP BALM**

**Broad Spectrum
SPF 30
Sunscreen**

Dawn

6.5g / 0.22 oz



Iris & Romeo

USAGE:
Apply direct
to lips.
A mineral SPF 30 pigmented lip balm-oil hybrid that delivers
creamy hydration and rich, nutrient dense oils to treat parched
lips while protecting against sun exposure.

**Keep out of reach of
children. If swallowed, get
medical help or contact a
Poison Control Center right
away.**

Directions
• apply liberally 15
minutes before sun
exposure
• Reapply at least every
2 hours.
• Children under 6
months of age: ask a doctor.
• Use water resistant
sunscreen if swimming or
sweating.
• Sun Protection
Measures: Spending time
in the sun increases your
risk of skin cancer and early
skin aging. To decrease this
risk, regularly use a
sunscreen with a broad
spectrum SPF value of 15
or higher and other sun
protection measures
including:
• limit your time in the
sun, especially from 10 a.m.
– 2 p.m.
• wear long-sleeved shirts,
pants, hats, and sunglasses

**Other
information**
• protect the product in
this container from
excessive heat and direct
sun.
Continued on next panel ▶

Dawn

Drug Facts
continued

Inactive Ingredients

Polyglyceryl-2
Isosorbate/Dimer
Dimethicone Copolymer,
Dimethicone Methylsiloxane,
Hydroxyethyl Methacrylate,
Triethyl Citrate, Triethyl Citrate,
Caprylic/Capric
Triglyceride, Decyl
Isosorbate, Synthetic
Fluoropolymer, Silica,
Polyglyceryl-2
Dipolyhydrogenated,
Iron Oxide (CI 77491),
Tocopherol (Biotin),
Phenylpropanol, C12-15
Alkyl Benzoate,
Propylmethyl Lactate,
Iron Oxide (CI 77492),
Capryl Glycol, Mica, Iron
Oxide (CI 77499),
Mauritia Fleurosa (Butif)
Fruit Oil, Pinka
Gutierrezii (Pomegranate)
Seed Oil, Polyglyceryl-4
Diisostearate/Polyhydroxy
stearate/Sebacate, Red 7
(CI 15850), Blue 1 Lake
(CI 42090),
Hydrogenated Lecithin,
Water, Calcium Sulfate,
Vitamin A/E Complex, Sodium
Chloride

**Questions or
comments?**

Call toll free
1-800-485-1567 or visit us
at www.IrisandRomeo.com

**MADE
WITHOUT:**

PEGs
Parabens
Phthalates
Mineral Oil
Sulfates:
SLS & SLES
Synthetic
Fragrances

Iris&Romeo

**WEEKEND
SKIN SPF 30**

**MOISTURE
LIP BALM**

**Broad Spectrum
SPF 30
Sunscreen**

Dawn

6.5g / 0.22 oz

**CRUELTY FREE
VEGAN**

USAGE:
Apply directly to lips.

A mineral SPF 30 pigmented lip balm-oil hybrid that delivers
creamy hydration and rich, nutrient dense oils to treat parched
lips while protecting against sun exposure.

Drug Facts
Active ingredient: *Physical*
Zinc oxide 10%, *Chemical*
Sunscreen

Uses

• Helps prevent sunburn
• If used as directed with
other sun protection
measures (see **Directions**),
decreases the risk of skin
cancer and early aging
caused by the sun.

Warnings

For external use only.
Do not use on damaged or
broken skin.

Stop use and seek a doctor
if rash occurs.

Keep out of reach of
children. If swallowed, get
medical help or contact a
Poison Control Center right
away.

Directions

• Apply liberally 15
minutes before sun
exposure.
• Reapply at least every
2 hours.
• Children under 6
months of age: ask a doctor.
• Use water resistant
sunscreen if swimming or
sweating.
• Sun Protection
Measures: Spending time
in the sun increases your
risk of skin cancer and early
skin aging. To decrease this
risk, regularly use a
sunscreen with a broad
spectrum SPF value of 15
or higher and other sun
protection measures
including:
• limit your time in the
sun, especially from 10 a.m.
– 2 p.m.
• wear long-sleeved shirts,
pants, hats, and sunglasses

**Other
information**

• protect the product in
this container from
excessive heat and direct
sun.

Continued on next panel ▶

MADE IN THE USA
USING GLOBALLY
SOURCED MATERIALS

IRISANDROMEO.COM

MADE IN USA

DIST BY
IRIS&ROMEO INC.,
SAN FRANCISCO, CA
94114



irisandromeo.com

Iris and Romeo Weekend Skin Moisture Lip Balm - Dawn



Dawn

Drug Facts
continued

Inactive Ingredients

Polyglyceryl-2
Isosorbate/Dimer
Dihexadecyl Copolymer,
Dibenzoyl Methylol
Hydroxy Esters, Hydroxy
Tetral Esters,
Caprylic/Capric
Triglyceride, Decalin
Isosorbate, Synthetic
Beeswax, C15-17
Alkyl Benzoate,
Propylmethyl Cellulose,
Iron Oxide (CI 77492),
Caprylic Glycol, Micro Iron
Oxide (CI 77499),
Mauritia Fleucosa (Butyl)
Fruit Oil, Pinka
Gustatum (Pomegranate)
Seed Oil, Polyglyceryl-4
Dibenzoyl Methylol
Isosorbate/Sorbitol, Red 7
(CI 15850), Blue 1 Lake
(CI 42090),
Hydrogenated Lecithin,
Iron, Calcium Sulfate,
Vitamin E Ascorbyl Tetra
Acetate

**Questions or
comments?**

Call toll free
1-800-485-1567 or visit us
at www.IrisandRomeo.com

**MADE
WITHOUT:**

PEGs
Parabens
Phthalates
Mineral Oil
Sulfates:
SLS & SLES
Synthetic
Fragrances

Iris & Romeo

**WEEKEND
SKIN SPF 30**

**MOISTURE
LIP BALM**

**Broad Spectrum
SPF 30
Sunscreen**

Dawn

MADE IN THE USA
USING GLOBALLY
SOURCED MATERIALS

IRISANDROMEO.COM

MADE IN USA

DIST BY
IRIS & ROMEO INC.,
SAN FRANCISCO, CA
94114

CRUELTY FREE
VEGAN

USAGE:
Apply directly to lips.

Broad Spectrum SPF 30 pigmented lip balm-oil hybrid that delivers
hydration and rich, nutrient dense oils to treat parched
lips protecting against sun exposure.

Drug Facts
Active Ingredient: Pigeon
Zinc Oxide 10%.....Sunscreen

Uses

- Helps prevent sunburn
- If used as directed with other sun protection measures (see Directions), decreases the risk of skin cancer and early aging caused by the sun.

Warnings

For external use only
Do not use on damaged or broken skin

Stop use and ask a doctor
if rash occurs

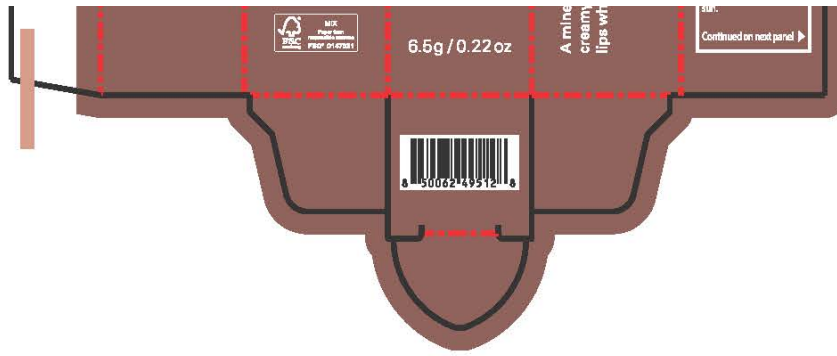
Keep out of reach of
children. If swallowed, get
medical help or contact a
Poison Control Center right
away.

Directions

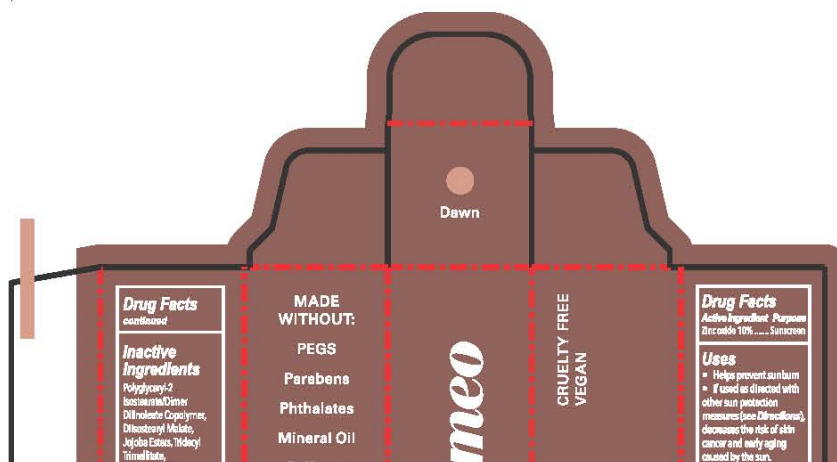
- Apply liberally 15
minutes before sun
exposure
- Reapply at least every
2 hours.
- Children under 6
months of age: ask a doctor.
- Use water resistant
sunscreen if swimming or
sweating.
- Sun Protection
Measures: Spending time
in the sun increases your
risk of skin cancer and early
skin aging. To decrease this
risk, regularly use a
sunscreen with a broad
spectrum SPF value of 15
or higher and other sun
protection measures
including:
• limit your time in the
sun, especially from 10 a.m.
- 2 p.m.
• wear long-sleeved shirts,
pants, hats, and sunglasses

**Other
Information**

- protect the product in
this container from
excessive heat and direct



Iris and Romeo Weekend Skin Moisture Lip Balm - Dawn



Caprylic/Capric
triglycerides, Diacetyl
succinate, Synthetic
Beeswax, Silica,
Polyglyceryl-2
Dipolyhydroxystearate,
Iron Oxides (CI 77491),
Tantylolac Succinate,
Phenylpropanol, C12-15
Alkyl Benzoate,
Propargyl, Lecithin,
Iron Oxides (CI 77492),
Caprylyl Glycol, Mica, Iron
Dioxide (CI 77499),
Menthyl P-menthyl (Butyl)
Fruit Oil, Puroila,
Geraniol (Pomegranate),
Seed Oil, Polyglyceryl-4
Dilaurate, Polyhydroxy
stearate, Stearic Acid, Red 7
(CI 15850), Blue 1 Lake
(CI 42090),
Hydrogenated Lecithin,
Rolin, Calcium Sulfate,
Water/Aqua/Eau, Sodium
Chloride

**Questions or
comments?**

Call toll free
1-800-885-1557 or visit us
at www.irisandromeo.com

Sulfates:
SLS & SLES
Synthetic
Fragrances

Iris&Romeo

**WEEKEND
SKIN SPF 30**

**MOISTURE
LIP BALM**

**Broad Spectrum
SPF 30
Sunscreen**

Dawn

6.5g / 0.22 oz

MADE IN THE USA
USING GLOBALLY
SOURCED MATERIALS

IRISANDROMEO.COM

MADE IN USA

DIST BY
IRIS&ROMEO INC.,
SAN FRANCISCO, CA
94114



USAGE:
Apply directly to lips.

A mineral SPF 30 pigmented lip balm-oil hybrid that delivers
creamy hydration and rich, nutrient dense oils to treat parched
lips while protecting against sun exposure.

Warnings

For external use only.
Do not use on damaged or
broken skin.

Stop use and ask a doctor
if rash occurs.

Keep out of reach of
children. If swallowed, get
medical help or contact a
Poison Control Center right
away.

Directions

- apply liberally 15
minutes before sun
exposure
- Reapply at least every
2 hours
- Children under 6
months of age: ask a doctor.
- Use water resistant
sunscreen if swimming or
sweating.
- Sun Protection
Measures: Spending time
in the sun increases your
risk of skin cancer and early
skin aging. To decrease this
risk, regularly use a
sunscreen with a broad
spectrum SPF value of 15
or higher and other sun
protection measures
including:
 - limit your time in the
sun, especially from 10 a.m.
– 2 p.m.
 - wear long-sleeved shirts,
pants, hats, and sunglasses

**Other
Information**

- protect the product in
its container from
excessive heat and direct
sun.

Continued on next panel ▶

Iris and Romeo Weekend Skin Moisture Lip Balm - Dawn

Dawn

Drug Facts
continued

Inactive Ingredients

Polyglyceryl-2
Isosorbate Dimer
Dimethacrylate Copolymer,
Dimethacrylate Methyl
Juglone Esters, Tocophyl
Tanninolate
Caprylic/Capric
Triglyceride, Decyl
Isosorbate, Synthetic
Beeswax, Silica,
Polyglyceryl-2
Dipolyhydroxyacetate,
Iron Oxides (CI 77491),
Tocopherol, Biotinol,
Phenylpropanol, C12-15
Allyl Denatured,
Propylol, Isobutyl,
Iron Oxides (CI 77492),
Caprylyl Glycol, Zinc, Iron
Oxides (CI 77499),
Menthyl P-3000 (Butyl)
Fruit Oil, Pinks
Geranium (Pomegranate)
Seed Oil, Polyglyceryl-4
Dibenzoyl Polyhydroxy
isobutyl Sebacate, Red 7
(CI 15850), Blue 1 Lake
(CI 42090),
Hydrogenated Lecithin,
Rosin, Calcium Sulfate,
Water/Aqua/Eau, Sodium
Chloride

**Questions or
comments?**

Call toll free
1-800-485-1567 or visit us
at www.irisandromeo.com

**MADE
WITHOUT:**

PEGs
Parabens
Phthalates
Mineral Oil
Sulfates:
SLS & SLES
Synthetic
Fragrances

Iris&Romeo

**WEEKEND
SKIN SPF 30**

**MOISTURE
LIP BALM**

**Broad Spectrum
SPF 30
Sunscreen**

Dawn

6.5g / 0.22 oz

MADE IN THE USA
USING GLOBALLY
SOURCED MATERIALS

IRISANDROMEO.COM

MADE IN USA

DIST BY
IRIS&ROMEO INC.,
SAN FRANCISCO, CA
94114



CRUELTY FREE
VEGAN

USAGE:
Apply directly to lips.

A mineral SPF 30 pigmented lip balm-oil hybrid that delivers
creamy hydration and rich, nutrient dense oils to treat parched
lips while protecting against sun exposure.

Drug Facts

Active Ingredient Purpose
Zinc oxide 10% Sunscreen

Uses

• Help prevent sunburn
• If used as directed with
other sun protection
measures (see Directions),
decreases the risk of skin
cancer and early aging
caused by the sun.

Warnings

For external use only.
Do not use on damaged or
broken skin.

Stop use and ask a doctor
if rash occurs.

Keep out of reach of
children. If swallowed, get
medical help or contact a
Poison Control Center right
away.

Directions

• apply liberally 15
minutes before sun
exposure
• Reapply at least every
2 hours.
• Children under 6
months of age: ask a doctor.
• Use water resistant
sunscreen if swimming or
sweating.
• Sun Protection
Measures: Spending time
in the sun increases your
risk of skin cancer and early
skin aging. To decrease this
risk, regularly use a
sunscreen with a broad
spectrum SPF value of 15
or higher and other sun
protection measures
including:

• limit your time in the
sun, especially from 10 a.m.
- 2 p.m.
• wear long-sleeved shirts,
pants, hats, and sunglasses

**Other
information**

• protect the product in
this container from
excessive heat and direct
sun.

Continued on next panel ▶

Iris and Romeo Weekend Skin Moisture Lip Balm - Dawn



Dawn

Drug Facts
continued

Inactive Ingredients

Polyglyceryl-2 Isostearate/Dimer Dilinolate Copolymer, Dimethacryl Methacrylate, Triethyl Citrate, Tocopheryl Tannate, Caprylic/Capric Triglyceride, Decyl Isostearate, Synthetic Beeswax, Silica, Polyglyceryl-2 Dimethylacrylate, Iron Oxides (CI 77491), Tocopherol, Biscobolol, Phenylpropanol, C12-15 Alkyl Benzoate, Propylal, Lecithin, Iron Oxides (CI 77492), Caprylic Glycol, Zinc, Iron Oxides (CI 77499), Menthyl P-menthyl Fruit Oil, Punica Granatum (Pomegranate) Seed Oil, Polyglyceryl-4 Dimethacrylate/Polydimethylsiloxane/Silica, Iron Oxide (CI 15850), Blue 1 Lake (CI 42090), Hydrogenated Lecithin, Zinc, Calcium Sulfate, Water/Squalane, Sodium Chloride

Questions or comments?

Call toll free: 1-800-685-1867 or visit us at www.IrisandRomeo.com

MADE WITHOUT:

- PEGs
- Parabens
- Phthalates
- Mineral Oil
- Sulfates: SLS & SLES
- Synthetic Fragrances

Iris & Romeo

WEEKEND SKIN SPF 30

MOISTURE LIP BALM

Broad Spectrum SPF 30 Sunscreen

MADE IN THE USA
USING GLOBALLY SOURCED MATERIALS
IRISANDROMEO.COM

CRUELTY FREE
VEGAN

USAGE:
Apply directly to lips.

ment lip balm-oil hybrid that delivers rich, nutrient dense oils to treat parched lips against sun exposure.

Drug Facts
Active Ingredient Purpose
Zinc Oxide 10%..... Sunscreen

Uses

- Helps prevent sunburn
- If used as directed with other sun protection measures (see Directions), decreases the risk of skin cancer and early aging caused by the sun.

Warnings

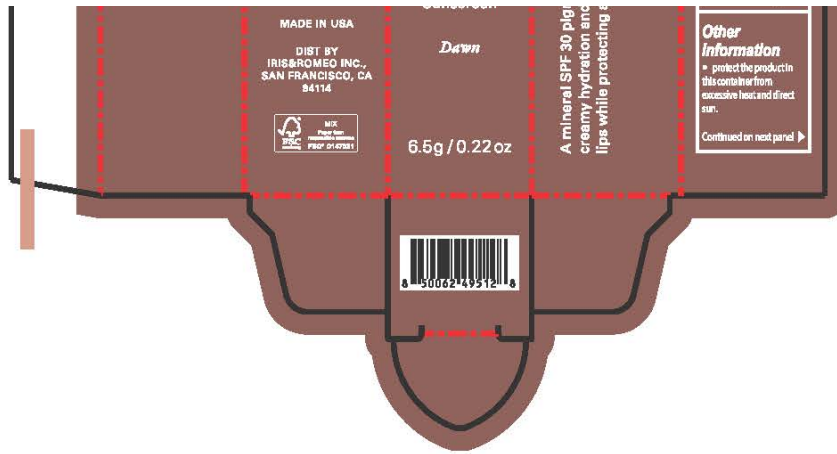
For external use only. Do not use on damaged or broken skin.

Stop use and ask a doctor if rash occurs.

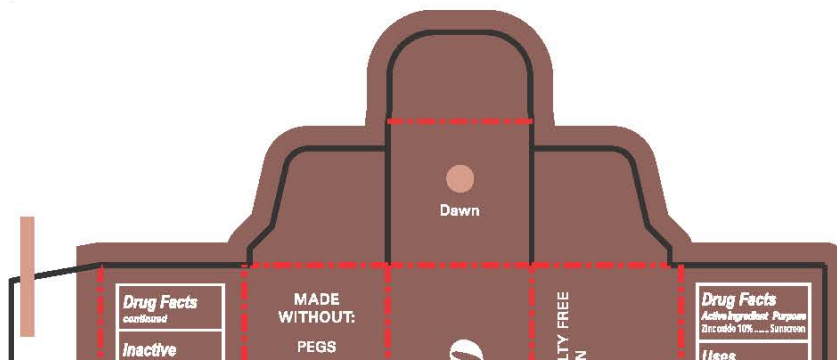
Keep out of reach of children. If swallowed, get medical help or contact a Poison Control Center right away.

Directions

- apply liberally 15 minutes before sun exposure
- Reapply at least every 2 hours.
- Children under 6 months of age: ask a doctor.
- Use water resistant sunscreen if swimming or sweating.
- Sun Protection Measures: Spending time in the sun increases your risk of skin cancer and early skin aging. To decrease this risk, regularly use a sunscreen with a broad spectrum SPF value of 15 or higher and other sun protection measures including:
 - limit your time in the sun, especially from 10 a.m. - 2 p.m.
 - wear long-sleeved shirts, pants, hats, and sunglasses



Iris and Romeo Weekend Skin Moisture Lip Balm - Dawn



Ingredients

Polyglyceryl-2
benzoinalkyl Dimethyl
Dilaurate Copolymer,
Dibehenyl Melate,
Jajoba Esters, Tocophyl
Trimethylsiloxane,
Caprylic/Capric
triglyceride, Decyl
benzenesulfonate, Synthetic
Benzoin, Silica,
Polyglyceryl-2
Dipolyhydroxystearate,
Iron Oxide (CI 77491),
Tocopherol, Bisabolol,
Phenylpropanol, C12-15
Alkyl Benzoate,
Propargyl, Lecithin,
Iron Oxide (CI 77492),
Caprylyl Glycol, Mica, Iron
Oxides (CI 77499),
Menthyl Hexanoate (Butyl)
Tritol Oil, Panthenol
Gaurumar (Panthenol)
Seed Oil, Polyglyceryl-4
Dibehenyl Polyhydroxy
stearate/Sebacate, Red 7
(CI 15850), Blue 1 Lake
(CI 42090),
Hydrogenated Lecithin,
Rutin, Calcium Sulfate,
Water/Aqua/Eau, Sodium
Chloride

**Questions or
comments?**

Call toll free
1-800-485-1547 or visit us
at www.irisandromeo.com

Parabens
Phthalates
Mineral Oil
Sulfates:
SLS & SLES
Synthetic
Fragrances

Iris & Romeo

**WEEKEND
SKIN SPF 30**

**MOISTURE
LIP BALM**

**Broad Spectrum
SPF 30
Sunscreen**

Dawn

6.5g / 0.22 oz

CRUE
VEGA

USAGE:
Apply directly to lips.

A mineral SPF 30 pigmented lip balm-oil hybrid that delivers
creamy hydration and rich, nutrient dense oils to treat parched
lips while protecting against sun exposure.

• Helps prevent sunburn
• If used as directed with
other sun protection
measures (see Directions),
decreases the risk of skin
cancer and early aging
caused by the sun.

Warnings

For external use only
Do not use on damaged or
broken skin

Stop use and seek a doctor
if rash occurs

Keep out of reach of
children. If swallowed, get
medical help or contact a
Poison Control Center right
away.

Directions

• apply liberally 15
minutes before sun
exposure

• Reapply at least every
2 hours

• Children under 6
months of age: seek a doctor.

• Use water resistant
sunscreen if swimming or
sweating.

• Sun Protection
Measures: Spending time
in the sun increases your
risk of skin cancer and early
skin aging. To decrease this
risk, regularly use a
sunscreen with a broad
spectrum SPF value of 15
or higher and other sun
protection measures
including:

• limit your time in the
sun, especially from 10 a.m.
– 2 p.m.

• wear long-sleeved shirts,
pants, hats, and sunglasses

• Use water resistant
sunscreen if swimming or
sweating.

• Use water resistant
sunscreen if swimming or
sweating.

• Use water resistant
sunscreen if swimming or
sweating.

• Use water resistant
sunscreen if swimming or
sweating.

• Use water resistant
sunscreen if swimming or
sweating.

• Use water resistant
sunscreen if swimming or
sweating.

• Use water resistant
sunscreen if swimming or
sweating.

• Use water resistant
sunscreen if swimming or
sweating.

• Use water resistant
sunscreen if swimming or
sweating.

• Use water resistant
sunscreen if swimming or
sweating.

• Use water resistant
sunscreen if swimming or
sweating.

• Use water resistant
sunscreen if swimming or
sweating.

• Use water resistant
sunscreen if swimming or
sweating.

• Use water resistant
sunscreen if swimming or
sweating.

• Use water resistant
sunscreen if swimming or
sweating.

• Use water resistant
sunscreen if swimming or
sweating.

• Use water resistant
sunscreen if swimming or
sweating.

• Use water resistant
sunscreen if swimming or
sweating.

• Use water resistant
sunscreen if swimming or
sweating.

• Use water resistant
sunscreen if swimming or
sweating.

• Use water resistant
sunscreen if swimming or
sweating.

• Use water resistant
sunscreen if swimming or
sweating.

• Use water resistant
sunscreen if swimming or
sweating.

• Use water resistant
sunscreen if swimming or
sweating.

• Use water resistant
sunscreen if swimming or
sweating.

• Use water resistant
sunscreen if swimming or
sweating.

• Use water resistant
sunscreen if swimming or
sweating.

• Use water resistant
sunscreen if swimming or
sweating.

• Use water resistant
sunscreen if swimming or
sweating.

• Use water resistant
sunscreen if swimming or
sweating.

• Use water resistant
sunscreen if swimming or
sweating.

• Use water resistant
sunscreen if swimming or
sweating.

• Use water resistant
sunscreen if swimming or
sweating.

• Use water resistant
sunscreen if swimming or
sweating.

• Use water resistant
sunscreen if swimming or
sweating.

• Use water resistant
sunscreen if swimming or
sweating.

• Use water resistant
sunscreen if swimming or
sweating.

• Use water resistant
sunscreen if swimming or
sweating.

• Use water resistant
sunscreen if swimming or
sweating.

• Use water resistant
sunscreen if swimming or
sweating.

• Use water resistant
sunscreen if swimming or
sweating.

• Use water resistant
sunscreen if swimming or
sweating.

• Use water resistant
sunscreen if swimming or
sweating.

• Use water resistant
sunscreen if swimming or
sweating.

• Use water resistant
sunscreen if swimming or
sweating.

• Use water resistant
sunscreen if swimming or
sweating.

• Use water resistant
sunscreen if swimming or
sweating.

• Use water resistant
sunscreen if swimming or
sweating.

• Use water resistant
sunscreen if swimming or
sweating.

• Use water resistant
sunscreen if swimming or
sweating.

• Use water resistant
sunscreen if swimming or
sweating.

• Use water resistant
sunscreen if swimming or
sweating.

• Use water resistant
sunscreen if swimming or
sweating.

• Use water resistant
sunscreen if swimming or
sweating.

• Use water resistant
sunscreen if swimming or
sweating.

• Use water resistant
sunscreen if swimming or
sweating.

• Use water resistant
sunscreen if swimming or
sweating.

• Use water resistant
sunscreen if swimming or
sweating.

• Use water resistant
sunscreen if swimming or
sweating.



zinc oxide lotion

Product Information

Product Type	HUMAN OTC DRUG	Item Code (Source)	NDC:83247-2489
Route of Administration	TOPICAL		

Active Ingredient/Active Moiety

Ingredient Name	Basis of Strength	Strength
ZINC OXIDE (UNII: SOI2LOH54Z) (ZINC OXIDE - UNII:SOI2LOH54Z)	ZINC OXIDE	110 mg in 1 mL

Inactive Ingredients

Ingredient Name	Strength
RED 7 (UNII: ECW0LZ41X8)	
SYNTHETIC BEESWAX (UNII: 08MNR5YE2R)	
DIISOSTEARYL MALATE (UNII: QBS8A3XZGQ)	
HYDROLYZED JOJOBA ESTERS (ACID FORM) (UNII: UDR641JW8W)	
MAURITIA FLEXUOSA FRUIT OIL (UNII: 48H19MS04L)	
FERRIC OXIDE YELLOW (UNII: EX438O2MRT)	
.ALPHA.-BISABOLOL, (+)- (UNII: 105S6I733Z)	
SILICON DIOXIDE (UNII: ETJ7Z6XBU4)	
PUNICA GRANATUM SEED OIL (UNII: 0UI45XV0T6)	
LECITHIN, SOYBEAN (UNII: 1DI56QDM62)	
TOCOPHEROL (UNII: R0ZB2556P8)	
SODIUM CHLORIDE (UNII: 451W47IQ8X)	
FERROSFERRIC OXIDE (UNII: XM0M87F357)	
PHENYLPROPANOL (UNII: 0F897O3O4M)	
FERRIC OXIDE RED (UNII: 1K09F3G675)	
ALKYL (C12-15) BENZOATE (UNII: A9EJ3J61HQ)	
CAPRYLIC/CAPRIC TRIGLYCERIDE (UNII: C9H2L21V7U)	
CAPRYLYL GLYCOL (UNII: 00YIU5438U)	
POLYGLYCERYL-4 DIISOSTEARATE/POLYHYDROXYSTEARATE/SEBACATE (UNII: 687U3PEB2Y)	
WATER (UNII: 059QF0KO0R)	
CALCIUM SULFATE (UNII: WAT0DDB505)	
ROSIN (UNII: 88S87KL877)	
PROPANEDIOL (UNII: 5965N8W85T)	
BLUE 1 LAKE (UNII: J9EQA3S2JM)	
TRIDECYL TRIMELLITATE (UNII: FY36J270ES)	
MICA (UNII: V8A1AW0880)	

Product Characteristics

Color	red	Score	
Shape		Size	
Flavor		Imprint Code	
Contains			

Packaging

#	Item Code	Package Description	Marketing Start Date	Marketing End Date
1	NDC:83247-2489-2	1 in 1 CARTON	02/21/2025	
1	NDC:83247-2489-1	6.5 mL in 1 BOTTLE, WTH APPLICATOR; Type 0: Not a Combination Product		

Marketing Information

Marketing Category	Application Number or Monograph Citation	Marketing Start Date	Marketing End Date
OTC Monograph Drug	M020	02/21/2025	

Labeler - Iris and Romeo (118160130)

Revised: 5/2026

Iris and Romeo