

**KIDS NASAL ALLERGY RELIEF- cardiospermum halicacabum flowering top, galphimia glauca flowering top, luffa operculata fruit and schoenocaulon officinale seed spray**  
**Similasan AG**

*Disclaimer: This homeopathic product has not been evaluated by the Food and Drug Administration for safety or efficacy. FDA is not aware of scientific evidence to support homeopathy as effective.*

-----

**Kids Nasal Allergy Relief**

**Drug Facts**

**Active Ingredients**

Cardiospermum 6X

Galphimia glauca 6X

Luffa operculata 6X

Sabadilla 6X

**Purpose**

itching, runny nose

runny nose, watery eyes, sneezing

runny nose, sinus congestion

sneezing, itching

**Uses\***

According to homeopathic principles, the active ingredients in this product temporarily relieve minor symptoms such as:

- allergies accompanied by runny nose, itching and/or burning of the nose, watery eyes, sneezing and swollen mucous membranes (congestion)
- post nasal drip caused by allergies
- sinus pressure caused by allergies

**Warnings**

- Children under 2 years of age should be seen by a physician.
- According to homeopathic principles, symptoms may temporarily worsen before improving (Initial exacerbation of symptoms).

- Replace cap tightly after every use.
- To avoid contamination, do not touch the tip of the container to any surface besides nose.
- Discard open bottle after 6 months.
- The use of this container by more than one person may spread infection.

**If pregnant, trying to get pregnant or breast feeding,**

ask a health professional before use.

**Keep out of reach of children.**

If swallowed, get medical help or contact a Poison Control Center right away.

**Ask a doctor before use if you:**

- are susceptible to nose bleeds
- are prone to ear, nose or throat sensitivity

**Stop use and ask a doctor if:**

- symptoms worsen or persist for more than 72 hours

**Directions**

For adults and children ages 2 and over:

- Remove tamper-evident plastic seal from bottle
- Lift cap off bottle
- Spray 1-3 times into each nostril
- Use as needed
- Replace cap after use

**Other information**

Active ingredients are manufactured according to homeopathic principles.

**Inactive Ingredients**

Purified water, Sodium chloride

**Questions?**

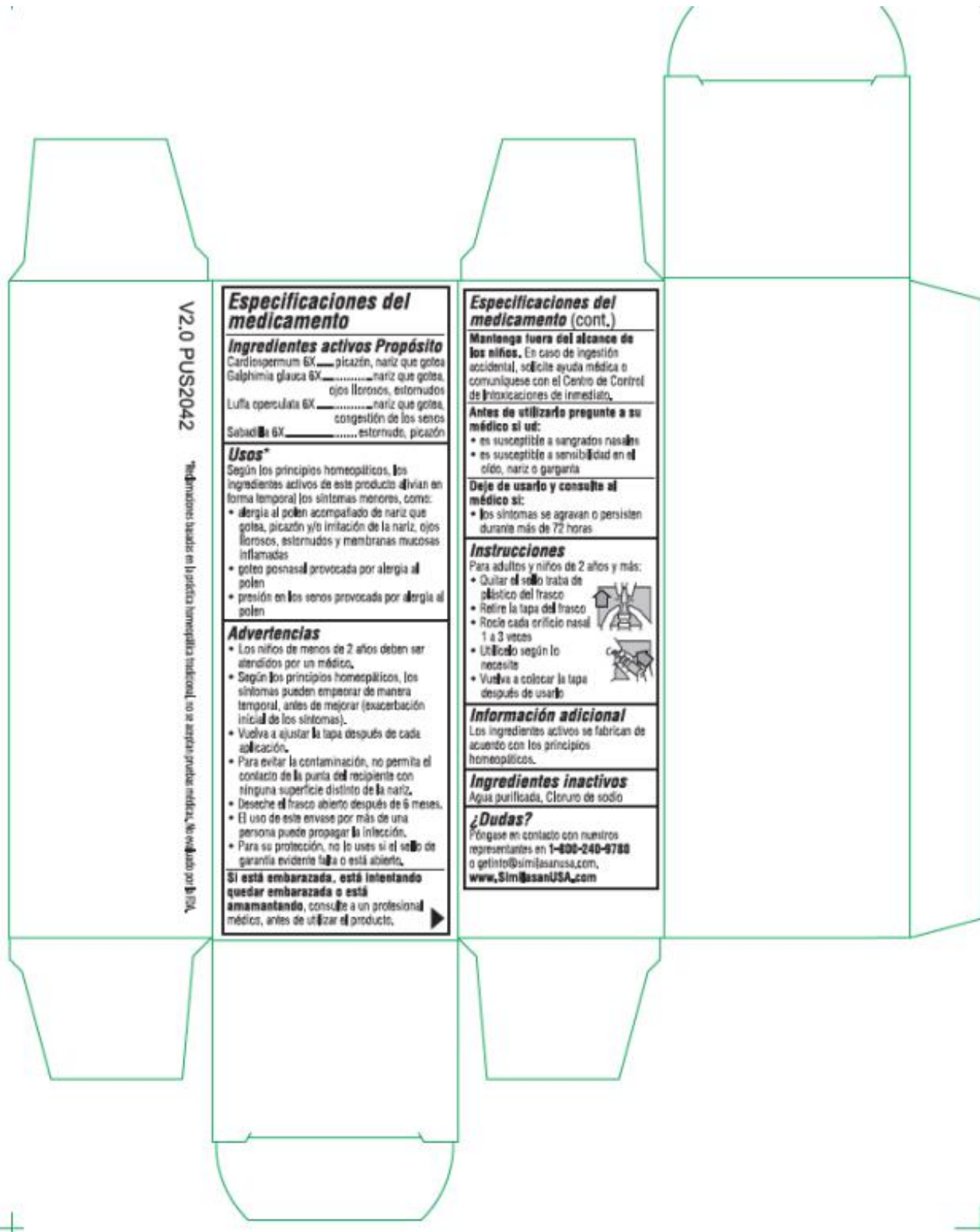
Reach our representatives at **1-800-240-9780** or [getinfo@similasanusa.com](mailto:getinfo@similasanusa.com).

**[www.SimilasanUSA.com](http://www.SimilasanUSA.com)**

# PRINCIPAL DISPLAY PANEL

Kids Nasal  
Allergy  
Relief  
20 ml/ 0.68 fl oz

 <p><b>Kids Nasal Allergy Relief</b> NATURAL ACTIVE INGREDIENTS</p>			
<p><b>Drug Facts</b></p> <p><b>Active Ingredients</b> .... <b>Purpose</b>          Cardiospermum 6X ..... itching, runny nose          Galphimia glauca 6X ..... runny nose,          watery eyes, sneezing          Luffa operculata 6X ..... runny nose,          sinus congestion          Sabadilla 6X ..... sneezing, itching</p> <p><b>Uses*</b>          According to homeopathic principles, the active ingredients in this product temporarily relieve minor symptoms such as:          • allergies accompanied by runny nose, itching and/or burning of the nose, watery eyes, sneezing and swollen mucous membranes (congestion)          • post nasal drip caused by allergies          • sinus pressure caused by allergies</p> <p><b>Warnings</b>          • Children under 2 years of age should be seen by a physician.          • According to homeopathic principles, symptoms may temporarily worsen before improving (initial exacerbation of symptoms).          • Replace cap tightly after every use.          • To avoid contamination, do not touch the tip of the container to any surface besides nose.          • Discard open bottle after 6 months.          • The use of this container by more than one person may spread infection.</p> <p><b>If pregnant, trying to get pregnant or breast feeding, ask a health professional before use.</b>  <b>Keep out of reach of children. If swallowed, get medical help or contact a Poison Control Center right away.</b></p>	<p><b>Drug Facts (continued)</b></p> <p><b>Ask a doctor before use if you:</b></p> <ul style="list-style-type: none"> <li>• are susceptible to nose bleeds</li> <li>• are prone to ear, nose or throat sensitivity</li> </ul> <p><b>Stop use and ask a doctor if:</b></p> <ul style="list-style-type: none"> <li>• symptoms worsen or persist for more than 72 hours</li> </ul> <p><b>Directions</b>          For adults and children ages 2 and over:</p> <ul style="list-style-type: none"> <li>• Remove tamper-evident plastic seal from bottle</li> <li>• Lift cap off bottle</li> <li>• Spray 1-3 times into each nostril</li> <li>• Use as needed</li> <li>• Replace cap after use</li> </ul> <p><b>Other information</b>          Active ingredients are manufactured according to homeopathic principles.</p> <p><b>Inactive Ingredients</b>          Purified water, Sodium chloride</p> <p><b>Questions?</b>          Reach our representatives at <b>1-800-240-9760</b> or <a href="mailto:getinfo@similasanusa.com">getinfo@similasanusa.com</a>, <a href="http://www.SimilasanUSA.com">www.SimilasanUSA.com</a></p> <p><small>For your protection, do not use if tamper evident seal around neck of bottle is missing or broken.</small></p>	 <p><b>Kids Nasal Allergy Relief™</b></p> <p>NASAL MIST <b>PRESERVATIVE FREE</b></p> <p><b>MULTI-SYMPOM ALLERGY RELIEF</b></p> <ul style="list-style-type: none"> <li>• Sinus Congestion</li> <li>• Itching</li> <li>• Runny Nose</li> <li>• Sneezing</li> </ul> <p><b>NATURAL ACTIVE INGREDIENTS</b></p> <p><b>HOMEOPATHIC</b>          Original Swiss Formula          20 ml / 0.68 fl oz</p> <p><b>www.SimilasanUSA.com</b></p>	<p><b>ES</b> Español</p> <p><b>Alivio de la Alergia Nasal en Niños</b>  <i>Nebulización Nasal</i></p> <p><b>LIBRE DE PRESERVATIVOS</b>  <b>INGREDIENTES ACTIVOS NATURALES</b></p> <ul style="list-style-type: none"> <li>• Congestión en las senas nasales</li> <li>• Picazón</li> <li>• Excoriamiento nasal</li> <li>• Estornudos</li> </ul> <p><i>Instrucciones en español adentro</i></p> <p>Similasan, trusted for over 40 years in Switzerland,          No Harsh Chemicals</p> <p><small>Similasan and Similasan Kids Nasal Allergy Relief are trademarks of TFS Eye Care Management AG, Switzerland, and the Similasan logo is a registered trademark of TFS Eye Care Management AG, Switzerland. Manufactured by: Stollwies AG, 8014 Jona, Switzerland. Imported and Distributed by: Similasan Corporation, Highlands Ranch, CO 80129. Made in Switzerland.</small></p>
<p><small>*Claims based on traditional homeopathic practice, not accepted medical evidence. Not FDA evaluated.</small></p>			<p><b>Feel Good About Feeling Better™</b></p>
 <p>0 94841 91004 8</p> <p><small>unprinted/uncoated area for bar/labels/coding</small></p>		<p><b>Space (at minimum 7m CVD and labels)</b></p>	



## KIDS NASAL ALLERGY RELIEF

cardiospermum halicacabum flowering top, galphimia glauca flowering top, luffa operculata fruit and schoenocaulon officinale seed spray

Product Information			
Product Type	HUMAN OTC DRUG	Item Code (Source)	NDC:53799-245
Route of Administration	NASAL		

**Active Ingredient/Active Moiety**

<b>Ingredient Name</b>	<b>Basis of Strength</b>	<b>Strength</b>
<b>CARDIOSPERMUM HALICACABUM FLOWERING TOP</b> (UNII: MZP2508BRR) (CARDIOSPERMUM HALICACABUM FLOWERING TOP - UNII:MZP2508BRR)	CARDIOSPERMUM HALICACABUM FLOWERING TOP	6 [hp_X] in 20 mL
<b>GALPHIMIA GLAUCA FLOWERING TOP</b> (UNII: 93PH5Q8M7E) (GALPHIMIA GLAUCA FLOWERING TOP - UNII:93PH5Q8M7E)	GALPHIMIA GLAUCA FLOWERING TOP	6 [hp_X] in 20 mL
<b>LUFFA OPERCULATA FRUIT</b> (UNII: C4MO6809HU) (LUFFA OPERCULATA FRUIT - UNII:C4MO6809HU)	LUFFA OPERCULATA FRUIT	6 [hp_X] in 20 mL
<b>SCHOENOCAULON OFFICINALE SEED</b> (UNII: 6NAF1689IO) (SCHOENOCAULON OFFICINALE SEED - UNII:6NAF1689IO)	SCHOENOCAULON OFFICINALE SEED	6 [hp_X] in 20 mL

**Inactive Ingredients**

<b>Ingredient Name</b>	<b>Strength</b>
<b>WATER</b> (UNII: 059QF0K00R)	
<b>SODIUM CHLORIDE</b> (UNII: 451W47IQ8X)	

**Packaging**

<b>#</b>	<b>Item Code</b>	<b>Package Description</b>	<b>Marketing Start Date</b>	<b>Marketing End Date</b>
1	NDC:53799-245-20	1 in 1 CARTON	04/23/2021	
1		20 mL in 1 BOTTLE, SPRAY; Type 0: Not a Combination Product		

**Marketing Information**

<b>Marketing Category</b>	<b>Application Number or Monograph Citation</b>	<b>Marketing Start Date</b>	<b>Marketing End Date</b>
unapproved homeopathic		04/23/2021	

**Labeler** - Similasan AG (481545754)

Revised: 4/2021

Similasan AG