

**KIDS NASAL ALLERGY RELIEF- cardiospermum halicacabum flowering top, galphimia glauca flowering top, luffa operculata fruit and schoenocaulon officinale seed spray
Similasan Corporation**

Disclaimer: This homeopathic product has not been evaluated by the Food and Drug Administration for safety or efficacy. FDA is not aware of scientific evidence to support homeopathy as effective.

Kids Nasal Allergy Relief

Drug Facts

Active Ingredients

Cardiospermum 6X

Galphimia glauca 6X

Luffa operculata 6X

Sabadilla 6X

Purpose

itching, runny nose

runny nose, watery eyes, sneezing

runny nose, sinus congestion

sneezing, itching

Uses*

According to homeopathic principles, the active ingredients in this product temporarily relieve minor symptoms such as:

- allergies accompanied by runny nose, itching and/or burning of the nose, watery eyes, sneezing and swollen mucous membranes (congestion)
- post nasal drip caused by allergies
- sinus pressure caused by allergies

Warnings

- Children under 2 years of age should be seen by a physician.
- According to homeopathic principles, symptoms may temporarily worsen before improving (Initial exacerbation of symptoms).

- Replace cap tightly after every use.
- To avoid contamination, do not touch the tip of the container to any surface besides nose.
- Discard open bottle after 6 months.
- The use of this container by more than one person may spread infection.

If pregnant, trying to get pregnant or breast feeding,

ask a health professional before use.

Keep out of reach of children.

If swallowed, get medical help or contact a Poison Control Center right away.

Ask a doctor before use if you:

- are susceptible to nose bleeds
- are prone to ear, nose or throat sensitivity

Stop use and ask a doctor if:

- symptoms worsen or persist for more than 72 hours

Directions

For adults and children ages 2 and over:

- Remove tamper-evident plastic seal from bottle
- Lift cap off bottle
- Spray 1-3 times into each nostril
- Use as needed
- Replace cap after use

Other information

Active ingredients are manufactured according to homeopathic principles.

Inactive Ingredients

Purified water, Sodium chloride

Questions?

Reach our representatives at **1-800-240-9780** or getinfo@similasanusa.com.

www.SimilasanUSA.com

PRINCIPAL DISPLAY PANEL

Kids Nasal
Allergy
Relief
20 ml/ 0.68 fl oz

NATURAL ACTIVE INGREDIENTS

Kids Nasal Allergy Relief

Similasan

Drug Facts

Active Ingredients Purpose
 Cardiopermium 6X itching, runny nose
 Galphimia glauca 6X runny nose, watery eyes, sneezing
 Luffa operculata 6X runny nose, sinus congestion
 Sabadilla 6X sneezing, itching

Uses*
 According to homeopathic principles, the active ingredients in this product temporarily relieve minor symptoms such as:
 • allergies accompanied by runny nose, itching and/or burning of the nose, watery eyes, sneezing and swollen mucous membranes (congestion)
 • post nasal drip caused by allergies
 • sinus pressure caused by allergies

Warnings
 • Children under 2 years of age should be seen by a physician.
 • According to homeopathic principles, symptoms may temporarily worsen before improving (initial exacerbation of symptoms).
 • Replace cap tightly after every use.
 • To avoid contamination, do not touch the tip of the container to any surface besides nose.
 • Discard open bottle after 6 months.
 • The use of this container by more than one person may spread infection.

If pregnant, trying to get pregnant or breast feeding, ask a health professional before use.
Keep out of reach of children. If swallowed, get medical help or contact a Poison Control Center right away.

Drug Facts (continued)

Ask a doctor before use if you:

- are susceptible to nose bleeds
- are prone to ear, nose or throat sensitivity

Stop use and ask a doctor if:

- symptoms worsen or persist for more than 72 hours

Directions
 For adults and children ages 2 and over:
 • Remove tamper-evident plastic seal from bottle.
 • Lift cap off bottle.
 • Spray 1-3 times into each nostril.
 • Use as needed.
 • Replace cap after use.

Other information
 Active ingredients are manufactured according to homeopathic principles.

Inactive Ingredients
 Purified water, Sodium chloride

Questions?
 Reach our representatives at **1-800-240-9780** or geninfo@similasanusa.com, www.SimilasanUSA.com

For your protection do not use if tamper evident seal around neck of bottle is missing or broken.

ES
Español

Alivio de la Alergia Nasal en Niños

LIBRE DE PRESERVATIVOS

INGREDIENTES ACTIVOS NATURALES

- Congestión en los senos nasales
- Picazón
- Escorrimiento nasal
- Estornudos

Instrucciones en español adentro

Similasan, trusted for over 40 years in Switzerland,
No Harsh Chemicals

Similasan and Similasan Kids Nasal Allergy Relief are trademarks of TRS Eye Care Management AG, Switzerland, and the Similasan logo is a registered trademark of TRS Eye Care Management AG, Switzerland. Manufactured by: Similasan AG, 3916 Jernu, Switzerland. Imported and Distributed by: Similasan Corporation, 11450 Main Street, Suite 100, Denver, CO 80231. Made in Switzerland.

Kids Nasal Allergy Relief™

NASAL MIST
PRESERVATIVE FREE

MULTI-SYMPOM ALLERGY RELIEF

- Sinus Congestion
- Itching
- Runny Nose
- Sneezing

NATURAL ACTIVE INGREDIENTS


HOMEOPATHIC
Original Swiss Formula

20 ml / 0.68 fl oz

www.SimilasanUSA.com

Feel Good About Feeling Better™

NDC 59262-245-20

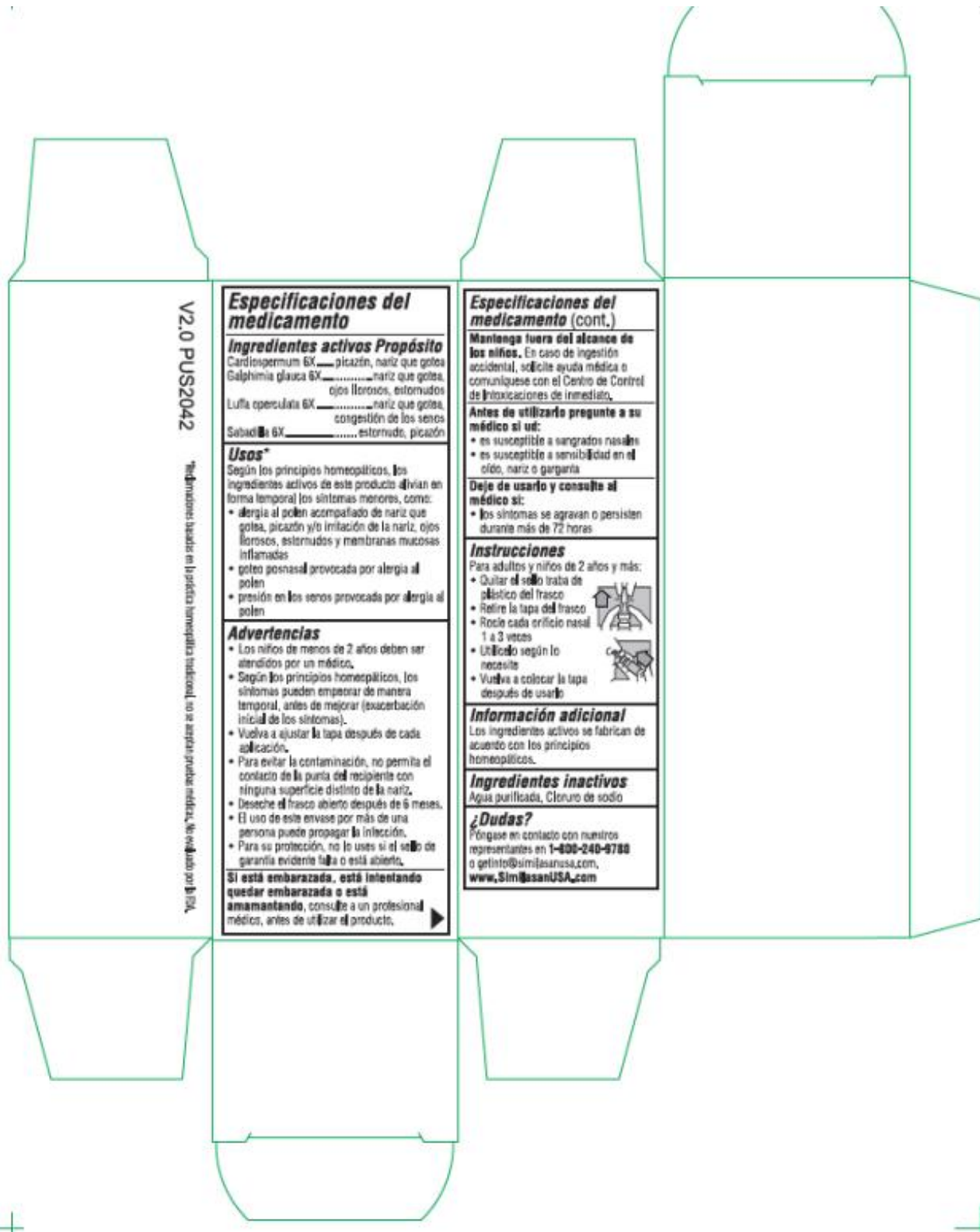


0 94841 91004 8

unpainted/uncoated area
Farb/Lackausparung

V2.0 PUS2042

Space (at minimum 7mm)
EXP. and batch
XX/XXXX XXXX



Especificaciones del medicamento

Ingredientes activos Propósito
 Cardiospermum 6X..... picazón, nariz que gotea
 Galphimia glauca 6X.....nariz que gotea,
 ojos llorosos, estornudos
 Luffa operculata 6X.....nariz que gotea,
 congestión de los senos
 Sabadilla 6X..... estornudo, picazón

Usos*
 Según los principios homeopáticos, los ingredientes activos de este producto alivian en forma temporal los síntomas menores, como:
 • **alergia al polen** acompañado de nariz que gotea, picazón y/o irritación de la nariz, ojos llorosos, estornudos y membranas mucosas inflamadas
 • **goteo postnasal** provocada por **alergia al polen**
 • **presión en los senos** provocada por **alergia al polen**

Advertencias
 • Los niños de menos de 2 años deben ser atendidos por un médico.
 • Según los principios homeopáticos, los síntomas pueden empeorar de manera temporal, antes de mejorar (exacerbación inicial de los síntomas).
 • Vuelva a ajustar la tapa después de cada aplicación.
 • Para evitar la contaminación, no permita el contacto de la punta del recipiente con ninguna superficie distinto de la nariz.
 • Deseche el frasco abierto después de 6 meses.
 • El uso de este envase por más de una persona puede propagar la infección.
 • Para su protección, no lo uses si el sello de garantía evidente falta o está abierto.

Si está embarazada, está intentando quedar embarazada o está amamantando, consulte a un profesional médico, antes de utilizar el producto.

Especificaciones del medicamento (cont.)

Mantenga fuera del alcance de los niños. En caso de ingestión accidental, solicite ayuda médica o comuníquese con el Centro de Control de Intoxicaciones de inmediato.

Antes de utilizarlo pregunte a su médico si ud:
 • es susceptible a sangrados nasales
 • es susceptible a sensibilidad en el oído, nariz o garganta

Deje de usarlo y consulte al médico si:
 • los síntomas se agravan o persisten durante más de 72 horas

Instrucciones
 Para adultos y niños de 2 años y más:
 • Quitar el **sello** trata de plástico del frasco
 • Retire la tapa del frasco
 • Rocíe cada orificio nasal 1 a 3 veces
 • Utilícelo según lo necesite
 • Vuelva a colocar la tapa después de usarlo



Información adicional
 Los ingredientes activos se fabrican de acuerdo con los principios homeopáticos.

Ingredientes inactivos
 Agua purificada, Cloruro de sodio

¿Dudas?
 Póngase en contacto con nuestros representantes en 1-800-240-8788 o getinfo@similasanusa.com, www.SimilasanUSA.com

KIDS NASAL ALLERGY RELIEF

cardiospermum halicacabum flowering top, galphimia glauca flowering top, luffa operculata fruit and schoenocaulon officinale seed spray

Product Information			
Product Type	HUMAN OTC DRUG	Item Code (Source)	NDC:59262-245
Route of Administration	NASAL		

Active Ingredient/Active Moiety

Ingredient Name	Basis of Strength	Strength
CARDIOSPERMUM HALICACABUM FLOWERING TOP (UNII: MZP2508BRR) (CARDIOSPERMUM HALICACABUM FLOWERING TOP - UNII:MZP2508BRR)	CARDIOSPERMUM HALICACABUM FLOWERING TOP	6 [hp_X] in 20 mL
GALPHIMIA GLAUCA FLOWERING TOP (UNII: 93PH5Q8M7E) (GALPHIMIA GLAUCA FLOWERING TOP - UNII:93PH5Q8M7E)	GALPHIMIA GLAUCA FLOWERING TOP	6 [hp_X] in 20 mL
LUFFA OPERCULATA FRUIT (UNII: C4MO6809HU) (LUFFA OPERCULATA FRUIT - UNII:C4MO6809HU)	LUFFA OPERCULATA FRUIT	6 [hp_X] in 20 mL
SCHOENOCAULON OFFICINALE SEED (UNII: 6NAF1689IO) (SCHOENOCAULON OFFICINALE SEED - UNII:6NAF1689IO)	SCHOENOCAULON OFFICINALE SEED	6 [hp_X] in 20 mL

Inactive Ingredients

Ingredient Name	Strength
WATER (UNII: 059QF0K00R)	
SODIUM CHLORIDE (UNII: 451W47IQ8X)	

Packaging

#	Item Code	Package Description	Marketing Start Date	Marketing End Date
1	NDC:59262-245-20	1 in 1 CARTON	02/15/2019	
1		20 mL in 1 BOTTLE, SPRAY; Type 0: Not a Combination Product		

Marketing Information

Marketing Category	Application Number or Monograph Citation	Marketing Start Date	Marketing End Date
unapproved homeopathic		02/15/2019	

Labeler - Similasan Corporation (111566530)

Revised: 4/2021

Similasan Corporation