

HUSH ANESTHETIC- lidocaine gel

HUSH Anesthetic

Hush Gel

Active Ingredients

Lidocaine HCL 4% w/w

Purpose

Pain Relieving Liquid

Keep out of reach of children

Uses

For the temporary relief of pain and itching associated with minor cuts or minor skin irritations

Directions

Adults and children 2 years of age or older: Apply to affected area not more than 3 to 4 times daily. Children under 2 years of age; consult a physician.

Warnings

For external use only • Avoid contact with eyes

Stop use and ask a doctor if condition worsens or if symptoms persist more than 7 days or clear up and occur again with a few days

Do not use in large quantities, particularly over raw surfaces or blistered areas.

Other Information

Protect this product from excessive heat and direct sun.

Inactive ingredients

Acrylates/c10-30 Alkyl Acrylate Crosspolymer, Aloe Barbadensis Leaf Extract, Aqua (Deionized Water), Calendula Officinale Extract, Caprylyl Glycol, Chamomile (Chamomile Recutita) Extract, Comfrey (Symphytum Officinale) Extract, Disodium EDTA, Glycerin, Green Tea (Camellia Sinensis) Extract, Menthol, Methylisothiazolinone, Propylene Glycol, SD Alcohol 40B, Triethanolamine

Questions or Comments?

Call 305-231-7229 or visit www.hushanesthetic.com

Gel 4OZ

Drug Facts

Active Ingredients Lidocaine HCl, 4.0% w/w	Active Ingredients Pain Relieving Liquid
--	--

Uses For temporary relief of pain and itching associated with minor cuts or minor skin irritations.

Warnings For external use only / Avoid contact with eyes
Do not use in large quantities, particularly over raw surfaces or irritated areas.
Stop use and ask doctor if - condition worsens, or if symptoms persist for more than 7 days or clear up and occur again within a few days. Discontinue use.
Keep out of reach of children - If product is swallowed, get medical help or contact a Poison Control Center right away.




Directions For adults and children two years of age or older: Apply to affected area not more than 3 to 4 times daily. Children under two years of age consult a physician.

Other Information Protect this product from excessive heat and direct sun.

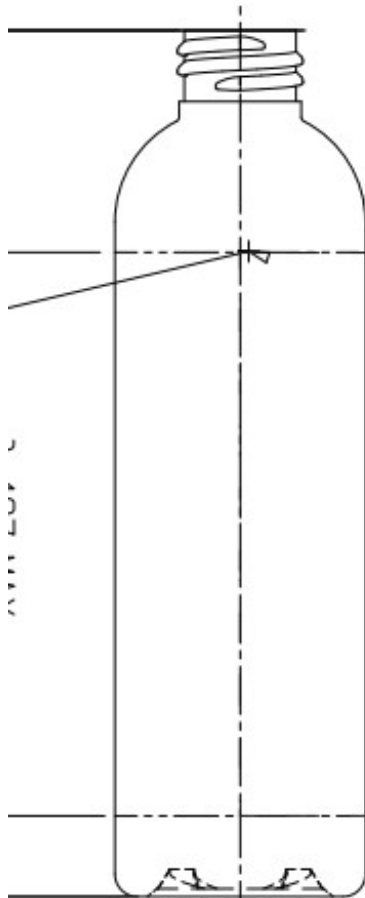
Inactive Ingredients Water, SD Alcohol 40-60, Aloe Barbadosensis Leaf Extract, Propylene Glycol, Triethanolamine, Acrylates/C12-20 Alkyl Acrylate Crosspolymer, Camphor (Symphytum Officinale) Root Extract, Chamomile (Anthemis Nobilis) Flower Extract, Calendula Officinalis Flower Extract, Green Tea (Camellia Sinensis) Leaf Extract, Cloves, Menthol, Disodium EDTA, Methylparaben, Propylparaben, Caprylyl Glycol.

Questions or Comments? Call 305-231-7229 or visit hush tattoos.com

Distributed by Hush Anesthetic
15476 NW 77th Court #276, Miami FL 33016

  
60000 05211

Gel 4OZ



Gel



4oz | 113 ml

Drug Facts

Active Ingredients Lidocaine HCL 4.0% w/w	Active Ingredients Pain Relieving Liquid
Uses For temporary relief of pain and itching associated with minor cuts or minor skin irritations.	
Warnings For external use only / Avoid contact with eyes. Do not use in large quantities, particularly over raw surfaces or blistered areas.	
Stop use and ask doctor if - condition worsens, or if symptoms persist for more than 7 days or clear up and occur again within a few days. Discontinue use.	
Keep out of reach of children - If product is swallowed, get medical help or contact a Poison Control Center right away.	
Directions For adults and children two years of age or older. Apply to affected area not more than 3 to 4 times daily. Children under two years of age, consult a physician.	
Other information: Protect this product from excessive heat and direct sun.	
Inactive Ingredients: Water, SD Alcohol 40-5, Aloe Barbadensis Leaf Extract, Propylene Glycol, Triethanolamine, Acrylates/C10-30 Alkyl Acrylate Crosspolymer, Carbonyl (Symphytum Officinale) Root Extract, Chamomile (Anthemis Nobilis) Flower Extract, Calendula Officinalis Flower Extract, Green Tea (Camellia Sinensis) Leaf Extract, Glycerin, Methyl Diiodium EDTA, Methylisothiazolinone, Caprylyl Glycol.	

Questions or Comments? Call 305-254-7229 or visit hush.tattoos.com

Distributed by Hush Anesthetic
15475 NW 77th Court #276, Miami FL 33016





PAIN RELIEF GEL

Drug Facts

Active ingredients:
Lidocaine HCl, 4.0% w/w
Active ingredients:
Pain Relieving Herbs

Uses: For temporary relief of pain and swelling associated with minor cuts or minor skin irritations.

Warnings:
For external use only/Avoid contact with eyes.
Do not use: in large round the, particularly over the surface or blistered area.
Stop use with sensitivity: If condition worsens, or if symptoms persist for more than 7 days or clear up and occur again within a few days, Discontinue use.
Keep out of reach of children: If product is swallowed, get medical help or contact a Poison Control Center right away.

Directions: For adults and children two years of age or older. Apply to affected area, not more than 3 to 4 times daily. Children under two years of age, consult a physician.

Other information: Protect this product from excessive heat and direct sun.

Active ingredients: Water, 50 Alcohol 40-60, Aloe Barbadensis Leaf Extract, Phosphoryl Glycol, Menthaarabina, Acrylates/C10-30 Alkyl Acrylate Copolymer, Camellia Sinensis (Green Tea) Leaf Extract, Chamomile (Anthemis Nobilis) Flower Extract, Calendula Officinalis Flower Extract, Green Tea (Camellia Sinensis) Leaf Extract, Glycyrrhiza Radix, Boswellia Sida, Harpagophytum Radix, Caprylyl Glycol.

DISTRIBUTED BY HUSH AESTHETIC
6576 HW 77th Court #230
Miami, FL 33096

4oz | 113ml



HOW TO USE

1

Evenly spread a thick layer directly onto your skin.

DO NOT RUB

2

Cover with plastic wrap.

3

Allow one hour for absorption.



NATURAL BOTANICALS SOOTH SKIN



4% MAX LIDOCAINE RELIEVES PAIN



hush

6.3749

PAIN RELIEF GEL



4oz | 113ml

PRODUCT DESCRIPTION

Trusted by industry artists, HUSH Gel contains a unique blend of powerful natural ingredients which block nerve endings for pain relief. Helps in the most sensitive areas like ribs, hips, and spine!

MEET HUSH

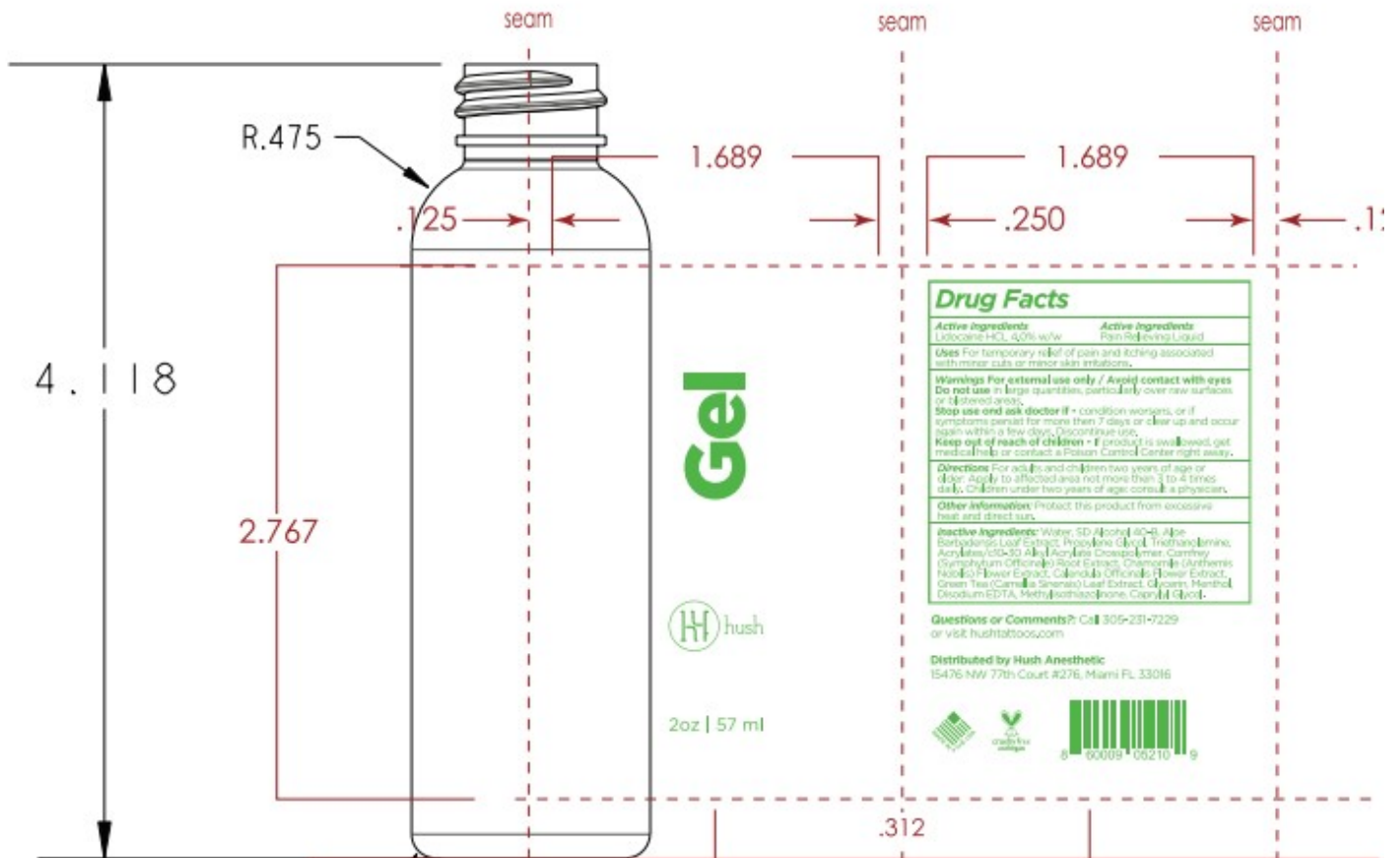
AN IDEA MOTIVATED BY AN EXPERIENCE

Established in 2009 with the introduction of HUSH Gel, the first pain relief product to prioritize comfort without compromising your body art. Since then, we've expanded the product line to meet all your skincare needs.

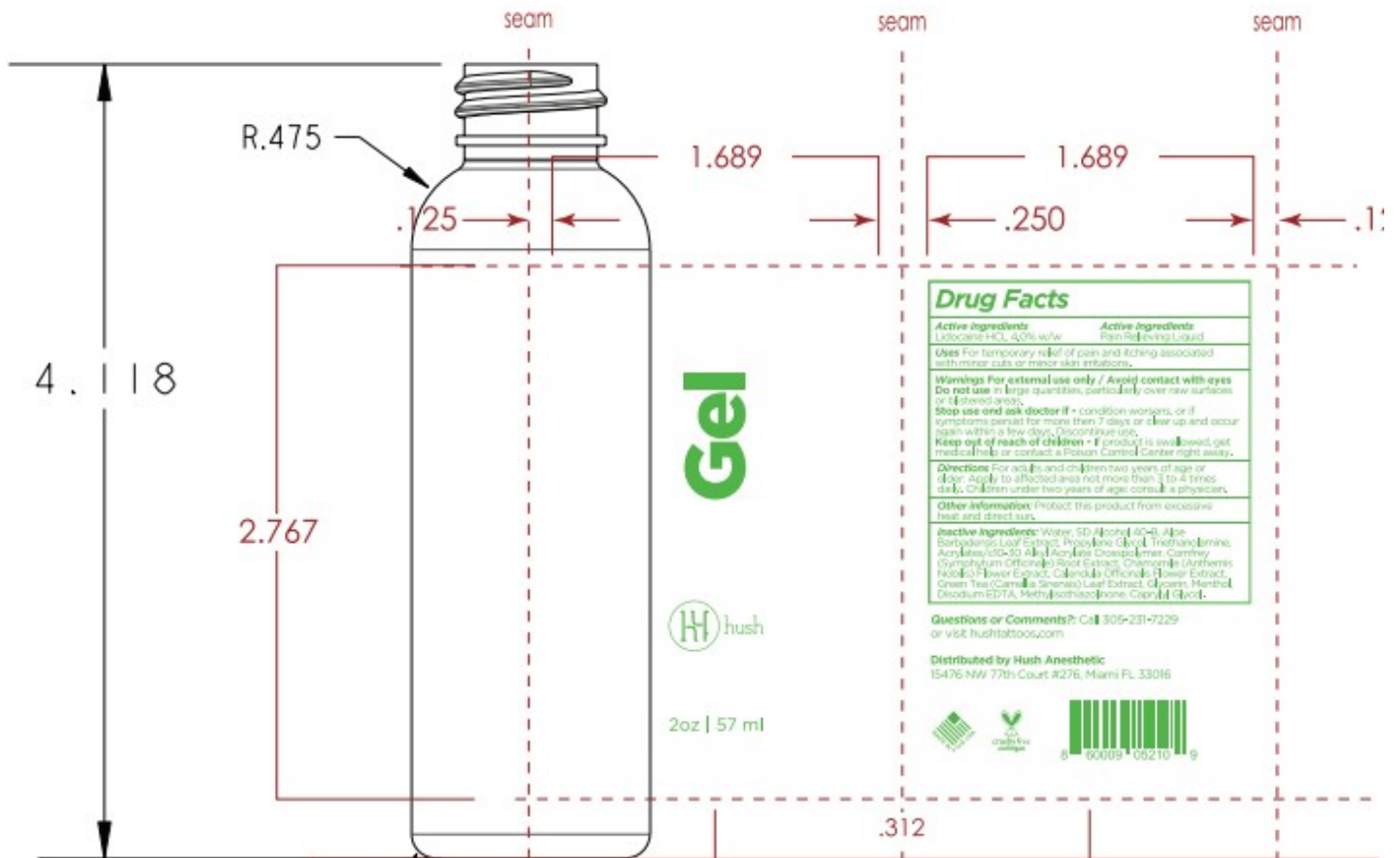


FOR MORE INFORMATION:
hushaesthetic.com

GEL 2OZ



GEL 2OZ





HUSH ANESTHETIC

lidocaine gel

Product Information

Product Type	HUMAN OTC DRUG	Item Code (Source)	NDC:49947-002
Route of Administration	TOPICAL		

Active Ingredient/Active Moiety

Ingredient Name	Basis of Strength	Strength
LIDOCAINE (UNII: 98PI200987) (LIDOCAINE - UNII:98PI200987)	LIDOCAINE	40 mg in 1 g

Inactive Ingredients

Ingredient Name	Strength
WATER (UNII: 059QF0KO0R)	
ALCOHOL (UNII: 3K9958V90M)	
ALOE VERA LEAF (UNII: ZY81Z83H0X)	
PROPYLENE GLYCOL (UNII: 6DC9Q167V3)	
TROLAMINE (UNII: 9O3K93S3TK)	
GLYCERIN (UNII: PDC6A3C0OX)	
MENTHOL (UNII: L7T10EIP3A)	
CHAMAEMELUM NOBILE FLOWER (UNII: O2T154T6OG)	

CALENDULA OFFICINALIS FLOWER (UNII: P0M7O4Y7YD)	
GREEN TEA LEAF (UNII: W2ZU1RY8B0)	
COMFREY ROOT (UNII: M9VVZ08EKQ)	
CARBOMER INTERPOLYMER TYPE B (ALLYL PENTAERYTHRITOL CROSSLINKED) (UNII: 132584PQMO)	
EDETATE DISODIUM ANHYDROUS (UNII: 8NLQ36F6MM)	
CAPRYLYL GLYCOL (UNII: 00YIU5438U)	
METHYLISOTHIAZOLINONE (UNII: 229D0E1QFA)	

Packaging

#	Item Code	Package Description	Marketing Start Date	Marketing End Date
1	NDC:49947-002-04	113.4 g in 1 BOTTLE; Type 0: Not a Combination Product	05/11/2023	
2	NDC:49947-002-02	56.7 g in 1 BOTTLE; Type 0: Not a Combination Product	05/11/2023	

Marketing Information

Marketing Category	Application Number or Monograph Citation	Marketing Start Date	Marketing End Date
OTC Monograph Drug	M017	12/01/2012	

Labeler - HUSH Anesthetic (012011309)

Revised: 11/2023

HUSH Anesthetic