

**MENS SPECTRAL UHP EXTRA STRENGTH HAIR REGROWTH TREATMENT-  
minoxidil 5% solution  
DS Healthcare Group, Inc.**

-----  
**Men's SPECTRAL.UHP EXTRA STRENGTH HAIR REGROWTH TREATMENT**

Minoxidil 5% w/v

Hair regrowth treatment for men

**USE**

to regrow hair on the top of the scalp (vertex only, see pictures on side of carton)

For external use only. For use by men only.

Flammable: Keep away from fire or flame

Do not use if

- You are a woman
- Your amount of hair loss is different than that shown on the side of this carton, or your hair loss is on the front of the scalp.

Minoxidil topical solution 5% is not intended for frontal baldness or receding hairline.

- You have no family history of hair loss
- Your hair loss is sudden and/or patchy
- You do not know the reason for your hair loss
- You are under 18 years of age. Do not use on babies and children.
- Your scalp is red, inflamed, infected, irritated, or painful
- You use other medicines on the scalp

Ask a doctor before use if you have heart disease

When using this product

- Do not apply on other parts of the body
- Avoid contact with the eyes. In case of accidental contact, rinse eyes with large amounts of cool tap water.
- It takes time to regrow hair. Results may occur at 2 months with twice a day usage. For some men, you may need to use this product

for at least 4 months before you see results.

- The amount of hair regrowth is different for each person. This product will not work for all men.
- Some people have experienced changes in hair color and/or texture

Stop use and ask a doctor if

- Chest pain, rapid heartbeat, faintness, or dizziness occurs
- Sudden, unexplained weight gain occurs
- Your hands or feet swell
- Scalp irritation or redness occurs
- Unwanted facial hair growth occurs
- You do not see hair regrowth in 4 months

May be harmful if used when pregnant or breast-feeding.

Keep out of reach of children. If swallowed, get medical help or contact a Poison Control Center right away.

## **DIRECTIONS**

- prime the sprayer by holding the bottle upright and pump the sprayer 5 times to ensure delivery

of full spray. Do not inhale mist.

- apply 1 mL with sprayer (6 sprays) 2 times a day directly onto the scalp in the hair loss area
- using more or more often will not improve results
- continued use is necessary to increase and keep your hair regrowth, or hair loss will begin again

## **OTHER INFORMATION**

- see hair loss pictures on side of this carton
- before use, read all information on carton and enclosed leaflet
- keep the carton. It contains important information.
- hair regrowth has not been shown to last longer than 48 weeks in large clinical trials with

continuous treatment with 5% minoxidil topical solution for men • in clinical studies of mostly

white men aged 18-49 years with moderate degrees of hair loss, 5% minoxidil topical solution

for men provided more hair regrowth than 2% minoxidil topical solution

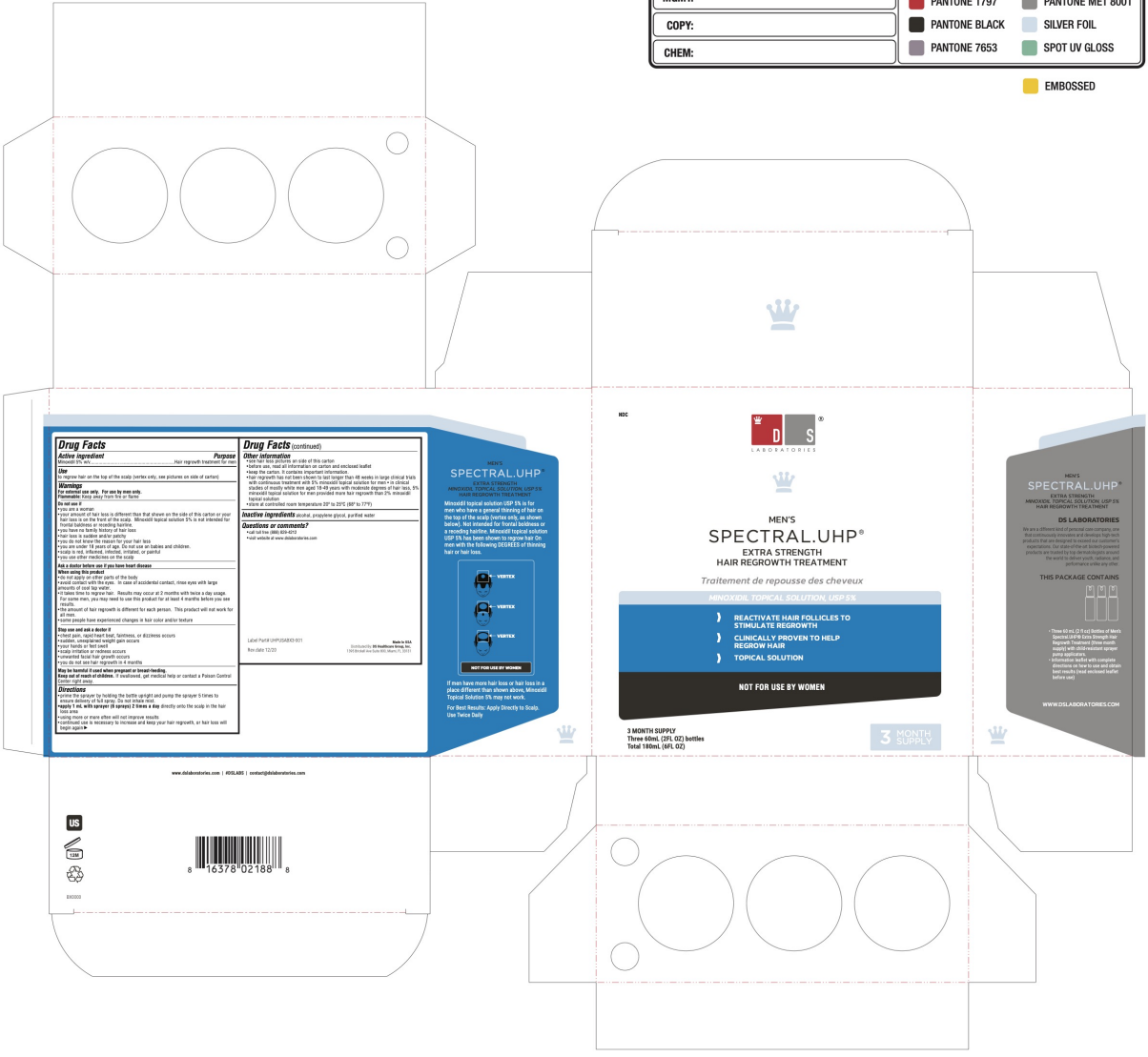
- store at controlled room temperature 20° to 25°C (68° to 77°F)

alcohol, propylene glycol, purified water

Questions or comments? call toll free (888) 829-4212 or visit website at [www.dslaboratories.com](http://www.dslaboratories.com)

<b>PRODUCT CODE</b>	BX0	<b>DESCRIPTION</b>	Spectral.UHP 3 Month Box (US)		
<b>DATE OF MODIFICATION</b>			12.7.20		
<b>APPROVAL SIGNATURES</b>		<b>COLOR CODE</b>			
<b>MGMT:</b>			PANTONE 1797		PANTONE MET 8001
<b>COPY:</b>			PANTONE BLACK		SILVER FOIL
<b>CHEM:</b>			PANTONE 7653		SPOT UV GLOSS

EMBOSSED

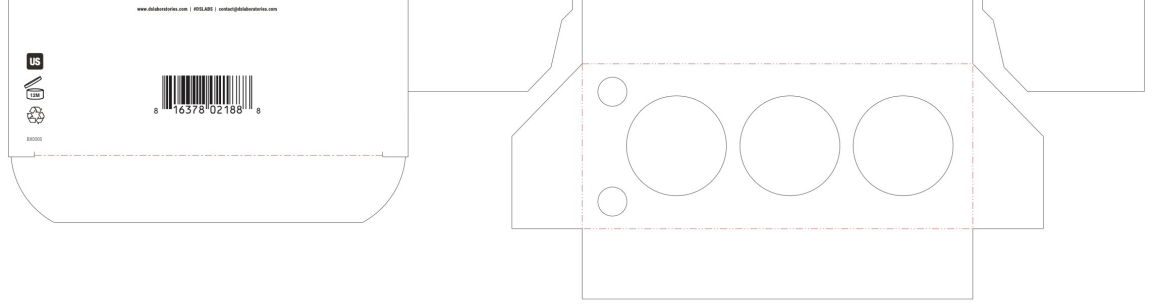


**Drug Facts**  
**Active ingredient:** Minoxidil  
**Purpose:** Hair regrowth treatment  
**Uses:** To regrow hair on the top of the scalp (vertex only), use product on sides of scalp.  
**Warnings:** For external use only. For use by men only.  
**Directions:** Apply to clean, dry scalp.  
**Other information:** Do not use if you are pregnant or breastfeeding.  
**Questions or comments?** Call our toll-free helpline at 1-800-451-1234 or visit our website at www.ds-labs.com

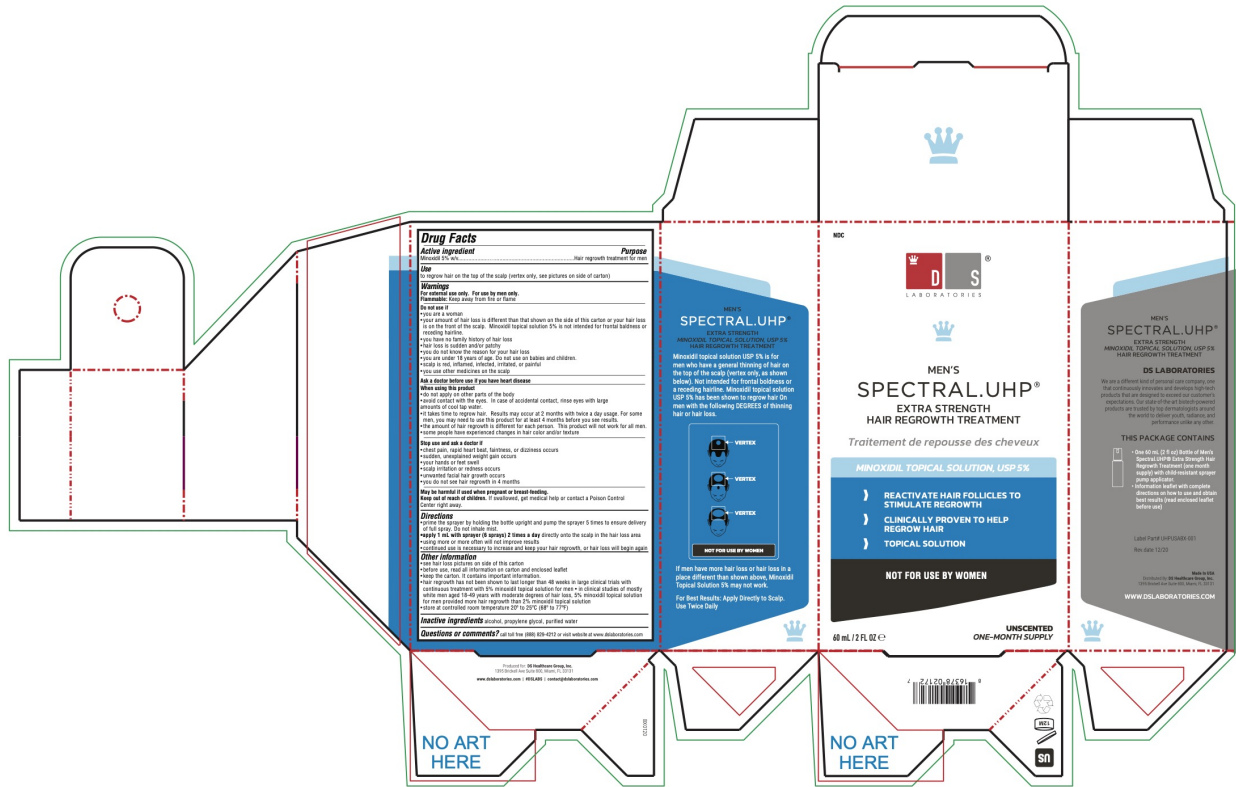
**Drug Facts (continued)**  
**Other information:** Do not use if you are pregnant or breastfeeding.  
**Questions or comments?** Call our toll-free helpline at 1-800-451-1234 or visit our website at www.ds-labs.com

**SPECTRAL.UHP**  
**EXTRA STRENGTH HAIR REGROWTH TREATMENT**  
**HAIR REGROWTH TREATMENT**  
**HAIR REGROWTH TREATMENT**  
**HAIR REGROWTH TREATMENT**

**MEN'S SPECTRAL.UHP®**  
**EXTRA STRENGTH HAIR REGROWTH TREATMENT**  
**Traitement de repousse des cheveux**  
**MINOXIDIL TOPICAL SOLUTION USP 5%**  
**REACTIVATE HAIR FOLLICLES TO STIMULATE REGROWTH**  
**CLINICALLY PROVEN TO HELP REGROW HAIR**  
**TOPICAL SOLUTION**  
**NOT FOR USE BY WOMEN**  
**3 MONTH SUPPLY**  
**Three 60mL (2FL OZ) bottles**  
**Total 180mL (6FL OZ)**



<b>PRODUCT CODE</b>	Box Spectral UHP US		
<b>DESCRIPTION</b>	12.7.20		
<b>DATE OF MODIFICATION</b>			
<b>APPROVAL SIGNATURES</b>		<b>COLOR CODE</b>	
<b>MGMT:</b>		PANTONE 1797	PANTONE MET 8001
<b>COPY:</b>		PANTONE BLACK	SILVER FOIL
<b>CHEM:</b>		PANTONE 1955 C	SPOT UV GLOSS
			EMBOSSED



# MENS SPECTRAL UHP EXTRA STRENGTH HAIR REGROWTH TREATMENT

minoxidil 5% solution

## Product Information

<b>Product Type</b>	HUMAN OTC DRUG	<b>Item Code (Source)</b>	NDC:69188-001
<b>Route of Administration</b>	TOPICAL		

## Active Ingredient/Active Moiety

Ingredient Name	Basis of Strength	Strength
<b>MINOXIDIL</b> (UNII: 5965120SH1) (MINOXIDIL - UNII:5965120SH1)	MINOXIDIL	5 g in 100 mL

## Inactive Ingredients

Ingredient Name	Strength
<b>WATER</b> (UNII: 059QF0KO0R)	
<b>PROPYLENE GLYCOL</b> (UNII: 6DC9Q167V3)	
<b>ISOPROPYL ALCOHOL</b> (UNII: ND2M416302)	

## Packaging

#	Item Code	Package Description	Marketing Start Date	Marketing End Date
1	NDC:69188-001-01	1 in 1 BOX	12/19/2020	
1		60 mL in 1 BOTTLE; Type 0: Not a Combination Product		
2	NDC:69188-001-02	3 in 1 BOX	12/19/2020	
2		60 mL in 1 BOTTLE; Type 0: Not a Combination Product		

## Marketing Information

Marketing Category	Application Number or Monograph Citation	Marketing Start Date	Marketing End Date
ANDA	ANDA076239	12/19/2020	

**Labeler** - DS Healthcare Group, Inc. (015504134)

Revised: 1/2023

DS Healthcare Group, Inc.