

CYDECTIN- moxidectin solution
Elanco US Inc.

Approved by FDA under NADA # 141-099.

Elanco™

CYDECTIN™

moxidectin

Pour-On for Beef and Dairy Cattle

Antiparasitic

Contains 5 mg moxidectin/mL

For Treatment of Infections and Infestations Due to Internal and External Parasites of Beef and Dairy Cattle

Consult your veterinarian for assistance in the diagnosis, treatment and control of parasitism. If animals are likely to be reinfected following treatment, a strategic parasite control program should be established.

Mode of Action:

Moxidectin is an endectocide in the milbemycin chemical class which shares the distinctive mode of action characteristic of macrocyclic lactones. CYDECTIN (moxidectin) Pour-On is specially formulated to allow moxidectin to be absorbed through the skin and distributed internally to the areas of the body affected by endo- and/or ectoparasitism. Moxidectin binds selectively and with high affinity to glutamate-gated chloride ion channels which are critical to the function of invertebrate nerve and muscle cells. This interferes with neurotransmission resulting in paralysis and elimination of the parasite.

Indications:

CYDECTIN Pour-On when applied at the recommended dose level of 0.5 mg/2.2 lb (0.5 mg/kg) body weight is effective in the treatment and control of the following internal [adult and fourth-stage larvae (L₄)] and external parasites of cattle:

Gastrointestinal Roundworms

- Ostertagia ostertagi* - Adult and L₄ (including inhibited larvae)
- Haemonchus placei* - Adult and L₄
- Trichostrongylus axei* - Adult and L₄
- Trichostrongylus colubriformis* - Adult and L₄
- Cooperia oncophora* - Adult and L₄
- Cooperia pectinata* - Adult
- Cooperia punctata* - Adult and L₄
- Cooperia spatulata* - Adult
- Cooperia surnabada* - Adult and L₄
- Bunostomum phlebotomum* - Adult

Nematodirus helvetianus - Adult and L₄
Oesophagostomum radiatum - Adult and L₄

Lungworms

Dictyocaulus viviparus - Adult and L₄

Cattle Grubs

Hypoderma bovis
Hypoderma lineatum

Mites

Chorioptes bovis
Psoroptes ovis (*Psoroptes communis* var. *bovis*)

Lice

Linognathus vituli
Haematopinus eurysternus
Solenopotes capillatus
Bovicola (*Damalinia*) *bovis*

Horn Flies

Haematobia irritans

Management Considerations for External Parasites:

For most effective external parasite control, CYDECTIN Pour-On should be applied to all cattle in the herd. Cattle entering the herd following this administration should be treated prior to introduction. Consult your veterinarian or a livestock entomologist for the most appropriate time to apply CYDECTIN Pour-On in your location to effectively control horn flies and external parasites. CYDECTIN Pour-On provides seven days of persistent activity against horn flies. For optimal control of horn flies, the product should be used as part of an integrated control program utilizing other methods to provide extended control.

Persistent Activity:

CYDECTIN Pour-On has been proven to effectively control infections and protect from reinfection with *Haemonchus placei* for 14 days after treatment, *Oesophagostomum radiatum* and *Ostertagia ostertagi* for 28 days after treatment, and *Dictyocaulus viviparus* for 42 days after treatment. Efficacy below 90% was observed in some *Ostertagia ostertagi* persistent activity studies at 21 and 28 days posttreatment.

Dosage:

CYDECTIN (moxidectin) Pour-On is a ready-to-use topical formulation intended for direct

application to the hair and skin in a narrow strip extending along the top of the back from the withers to the tailhead (see Figure 1). Due to the angular topline characteristic of most dairy breeds, it is recommended that all pour-on products be applied slowly to dairy cows. Apply to healthy skin avoiding any mange scabs, skin lesions, mud or manure. Treated cattle can be easily recognized by the characteristic purple color, which will remain for a short period of time after treatment. The recommended rate of administration is 1 mL for each 22 lb (10 kg) body weight which provides 0.5 mg moxidectin for each 2.2 lb (0.5 mg/kg) body weight. The table below will assist in the calculation of the appropriate volume of pour-on which must be applied based on the weight of animal being treated.

Body Weight Lb (kg)	Dose mL	Body Weight Lb (kg)	Dose mL
88 (40)	4	330 (150)	15
110 (50)	5	440 (200)	20
132 (60)	6	550 (250)	25
154 (70)	7	660 (300)	30
176 (80)	8	770 (350)	35
198 (90)	9	880 (400)	40
220 (100)	10	990 (450)	45
242 (110)	11	1100 (500)	50
264 (120)	12	1210 (550)	55
286 (130)	13	1320 (600)	60
308 (140)	14	1430 (650)	65

- Do not underdose. Ensure each animal receives a complete dose based on a current body weight. Underdosing may result in ineffective treatment, and encourage the development of parasite resistance.

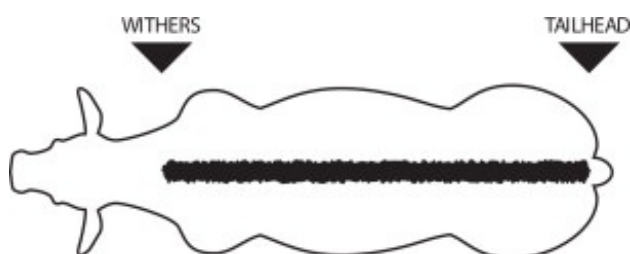


Figure 1. Where to Apply CYDECTIN Pour-On

Use Conditions:

Varying weather conditions, including rainfall, do not affect the efficacy of CYDECTIN Pour-On.

Administration:

CYDECTIN Pour-On is available in three convenient package styles designed for ease of administration and the number of cattle to be treated. Directions for use of each

container type follow:

Squeeze-Measure-Pour System (16.91 fl oz/500 mL and 33.81 fl oz/1 L Bottles)

Determine the weight of the animal, calculate the recommended volume of CYDECTIN Pour-On and locate the volume marker equivalent to this dose on the dosing chamber of the bottle. Remove the dosing chamber cap and squeeze the main chamber of bottle until the desired level of solution is present in the dosing chamber. Release pressure on the container to avoid further filling. Holding the dosing chamber as shown below, pour this measured volume of solution evenly along the backline of the animal from the withers to the tailhead (see Figure 1).

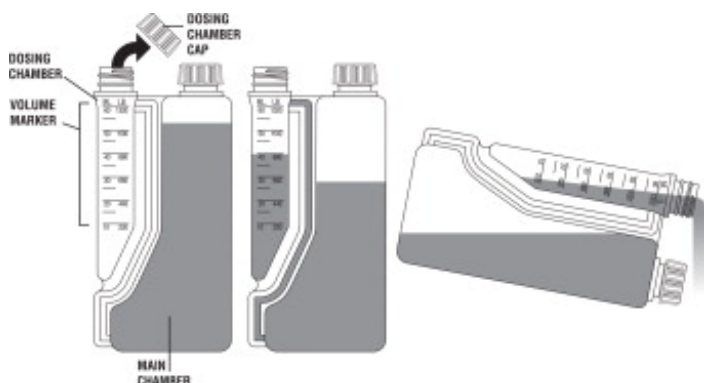


Figure 2. Squeeze-Measure-Pour System (16.91 fl oz/500 mL and 33.81 fl oz/1 L Bottles)

Large Conventional Containers (84.54 fl oz/2.5 L and 169 fl oz/5 L Bottles and 338 fl oz/10 L Cubetainer)

These bottles are designed for use with the CYDECTIN (moxidectin) Pour-On applicators. Simply remove the transient cap and seal and replace with the vented cap. Attach the applicator feeder hose to the vented cap. Invert the container prior to use (2.5 L and 5 L containers only). Apply the recommended volume of CYDECTIN Pour-On evenly along the backline of the animal from the withers to the tailhead (see Figure 1).

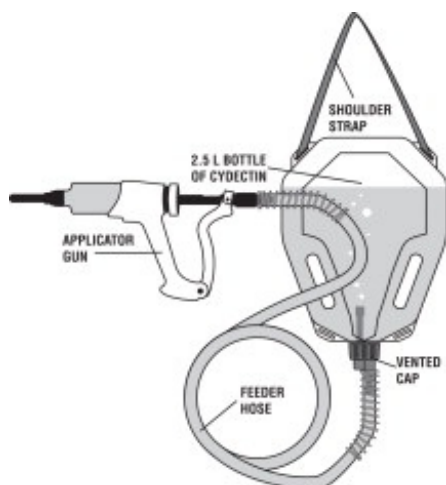


Figure 3. Large Conventional Containers (84.54 fl oz/2.5 L and 169 fl oz/5 L Bottles)

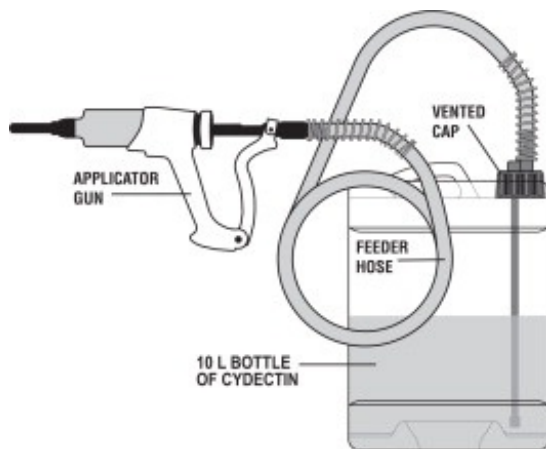


Figure 4. Large Conventional Container (338 fl oz/10 L Cubetainer)

Animal Safety:

Tolerance and toxicity studies have demonstrated an adequate margin of safety to allow treatment of cattle of all ages with CYDECTIN Pour-On. No toxic signs were seen in cattle given up to 25 times the recommended dose level. Newborn calves similarly showed no toxic signs when treated with up to three times the recommended dose level within 12 hours of birth and nursing from cows concurrently treated with the recommended dose level of CYDECTIN Pour-On. In breeding animals (bulls and cows in estrous and during early, mid and late pregnancy), treatment with three times the recommended dose level had no effect on breeding performance.

Warning:

Not For Use In Humans. Keep this and all drugs out of the reach of children.

This product can cause irritation to skin, eyes, or mucous membranes. In case of accidental skin contact and/or clothing contamination, wash skin thoroughly with soap and water and launder clothing with detergent. In case of accidental eye contact, flush eyes with copious amounts of water. When direct inhalation occurs, cleanse lungs and respiratory passages with fresh air. In case of ingestion do not induce vomiting and seek medical attention immediately. If irritation or any other symptom attributable to exposure to this product persists, consult your physician.

For product questions, to report adverse reactions, or for a copy of the Safety Data Sheet (SDS), call Elanco Product & Veterinary Support at 1-800-428-4441.

Residue Warning:

When used according to label directions, neither a pre-slaughter drug withdrawal period nor a milk discard time are required. Meat and milk from cattle treated with CYDECTIN (moxidectin) Pour-On may be used for human consumption at any time following treatment. A withdrawal period has not been established for this product in preruminating calves. Do not use in calves to be processed for veal.

OTHER WARNINGS

- Parasite resistance may develop to any dewormer, and has been reported for most classes of dewormers.
- Treatment with a dewormer used in conjunction with parasite management practices appropriate to the geographic area and the animal(s) to be treated may slow the development of parasite resistance.
- Fecal examinations or other diagnostic tests and parasite management history should be used to determine if the product is appropriate for the herd/flock, prior to the use of any dewormer. Following the use of any dewormer, effectiveness of treatment should be monitored (for example, with the use of a fecal egg count reduction test or another appropriate method).
- A decrease in a drug's effectiveness over time as calculated by fecal egg count reduction tests may indicate the development of resistance to the dewormer administered. Your parasite management plan should be adjusted accordingly based on regular monitoring.

Precautions:

For external use only. Do not apply to areas of skin with mange scabs, skin lesions, mud or manure. CYDECTIN Pour-On is not recommended for use in species other than cattle. This product has been formulated specifically for topical use in cattle and should not be used in other animal species or by other routes of administration as adverse reactions may occur.

CYDECTIN Pour-On is effective against the migrating stage of cattle grubs (*Hypoderma* larvae). Treatment with CYDECTIN Pour-On during the period when grubs are migrating through vital areas may cause undesirable host-parasite reactions. Killing *H. lineatum* when they are located in periesophageal tissues may cause bloat. Killing *H. bovis* when they are in the vertebral canal may cause staggering or hindlimb paralysis. Cattle should be treated as soon as possible after heel fly (warble fly) season to avoid this potential problem. Cattle treated with CYDECTIN Pour-On at the end of fly season can be re-treated during the winter without danger of grub-related reactions. Consult your veterinarian for more information regarding these secondary grub reactions and the correct time to treat with CYDECTIN Pour-On.

Environmental Safety:

Studies indicate that when moxidectin comes in contact with the soil it readily and tightly binds to the soil and becomes inactive. Free moxidectin may adversely affect fish and certain aquatic organisms. Do not contaminate water by direct application or by improper disposal of drug containers.

Storage:

Store product at or below room temperature. Avoid prolonged exposure above 25°C (77°F). If product becomes frozen, thaw completely and shake well prior to use.

Disposal:

Dispose of containers in an approved landfill or by incineration.

Package Information:

CYDECTIN Pour-On is available in five convenient container sizes. The 16.91 fl oz/500 mL and 33.81 fl oz/1 L are packaged in specially-designed squeeze-measure-pour polyethylene bottles. When treating larger numbers of cattle, 84.54 fl oz/2.5 L, 169 fl oz/5 L or 338 fl oz/10 L conventional polyethylene containers are available for use with most commercially-available topical applicators.

Patent information at <http://www.elancopatents.com>

Cydectin, Elanco and the diagonal bar logo are trademarks of Elanco or its affiliates
© 2022 Elanco or its affiliates.

Restricted Drug (CA) - Use Only As Directed

Revised: April 2022

90207956_PA600232X

Elanco™

Principal Display Panel - 500 mL Labels

CYDECTIN™

moxidectin

**Pour-On for Beef
and Dairy Cattle**

Antiparasitic

Contains 5 mg moxidectin/mL

Zero Slaughter Withdrawal.

Not for Use in Veal Calves.

Zero Milk Discard.

Treats 20 550 lb cattle

**For the Treatment of Infections
and Infestations Due to
Internal and External
Parasites of Beef and
Dairy Cattle**

Contents **500 mL (16.91 oz)**

Approved by FDA under NADA # 141-099

Elanco™



CYDECTIN™
moxidectin

**Pour-On for Beef
 and Dairy Cattle**

Antiparasitic

Contains 5 mg moxidectin/mL

**Zero Slaughter Withdrawal.
 Not for Use in Veal Calves.
 Zero Milk Discard.**

STRIPS
 OUT

For the Treatment of Infections and Infestations Due to
 Internal and External Parasites
 of Beef and Dairy Cattle

Pour-On for Beef and Dairy Cattle

moxidectin

CYDECTIN™

CYDECTIN™
 moxidectin

CYDECTIN (moxidectin) Pour-On when applied at the recommended dose level of 0.5 mg/2.2 lb (0.5 mg/kg) body weight is effective in the treatment and control of the following internal (adult and fourth-stage larvae (L₄)) and external parasites:

Gastrointestinal Roundworms

Ostertagia ostertagi - Adult and L₄ (including inhibited larvae)

Haemonchus placei - Adult and L₄

Trichostrongylus axei - Adult and L₄

Trichostrongylus colubriformis - Adult and L₄

Cooperia oncophora - Adult

Cooperia punctata - Adult and L₄

Cooperia spatulata - Adult

Cooperia sunabada - Adult and L₄

Bunostomum phlebotomum - Adult

Nematodirus helveticus - Adult and L₄

Oesophagostomum radiatum - Adult and L₄

Lungworms

Dictyocaulus viviparus - Adult and L₄

CYDECTIN Pour-On has been proven to effectively control infections and protect from reinfection with *Haemonchus placei* for 34 days after treatment, *Oesophagostomum radiatum* and *Ostertagia ostertagi* for 28 days after treatment, and *Dictyocaulus viviparus* for 42 days after treatment. Efficacy below 90% was observed in some *Ostertagia ostertagi* persistent activity studies at 21 and 28 days posttreatment.

For most effective external parasite control, CYDECTIN Pour-On should be applied to all cattle in the herd. Cattle entering the herd where this administration should be treated prior to introduction. Consult your veterinarian or a livestock entomologist for the most appropriate time to apply CYDECTIN Pour-On. In your location to effectively control horn flies and external parasites, CYDECTIN Pour-On provides seven days of persistent activity against horn flies. For optimal control of horn flies, the product should be used as part of an integrated control program utilizing other methods to provide extended control.



Patent information at <http://www.elanco.com>
 Restricted Drug (CA) - Use Only As Directed
 Manufactured for:
 Elanco US Inc.
 Greenfield, IN 46140 U.S.A.
 Made in China

Warning: Not For Use in Humans. Keep this and all drugs out of the reach of children. This product can cause irritation to skin, eyes, or mucous membranes. In case of accidental skin contact and/or clothing contamination, wash skin thoroughly with soap and water and launder clothing with detergent. In case of accidental eye contact, flush eyes with copious amounts of water. When direct inhalation occurs, cleanse lungs and respiratory passages with fresh air. In case of ingestion do not induce vomiting and seek medical attention immediately. If irritation or any other symptom attributable to exposure to this product persists, consult your physician.

For product questions, to report adverse reactions, or for a copy of the Safety Data Sheet (SDS), call Elanco Product & Veterinary Support at 1-800-428-4441.

Residue Warning: When used according to label directions, neither a pre-slaughter drug withdrawal period nor a milk discard time are required. Meat and milk from cattle treated with CYDECTIN (moxidectin) Pour-On may be used for human consumption at any time following treatment. A withdrawal period has not been established for this product in pre-nursing calves. Do not use in calves to be processed for veal.

OTHER WARNINGS

- Parasite resistance may develop to any dewormer, and has been reported for most classes of dewormers.
- Treatment with a dewormer used in conjunction with parasite management practices appropriate to the geographic area and the animal(s) to be treated may slow the development of parasite resistance.
- Fecal examinations or other diagnostic tests and parasite management history should be used to determine if the product is appropriate for the herd/flock, prior to the use of any dewormer. Following the use of any dewormer, effectiveness of treatment should be monitored (for example, with the use of a fecal egg count reduction test or another appropriate method).
- A decrease in a drug's effectiveness over time as calculated by fecal egg count reduction tests may indicate the development of resistance to the dewormer administered. Your parasite management plan should be adjusted accordingly based on regular monitoring.

Precautions: For internal use only. Do not apply to areas of skin with mange scabs, skin lesions, mud or manure. CYDECTIN Pour-On is not recommended for use in species other than cattle. This product has been formulated specifically for topical use in cattle and should not be used in other animal species or by other routes of administration as adverse reactions may occur.

Environmental Safety: Studies indicate that when moxidectin comes in contact with the soil it readily and tightly binds to the soil and becomes inactive. Free moxidectin may adversely affect fish and certain aquatic organisms. Do not contaminate water by direct application or by improper disposal of drug containers.

CYDECTIN™
 moxidectin

**Pour-On for Beef
 and Dairy Cattle**

Antiparasitic

Contains 5 mg moxidectin/mL

**Zero Slaughter Withdrawal.
 Not for Use in Veal Calves.
 Zero Milk Discard.**

Treats 20 550 lb cattle

For the Treatment of Infections
 and Infestations Due to
 Internal and External
 Parasites of Beef and
 Dairy Cattle

Contents **500 mL (16.91 oz)**

Approved by FDA under NADA # 141-099

Storage: Store product at or below room temperature. Avoid prolonged exposure above 25°C (77°F). If product becomes frozen, thaw completely and shake well prior to use.

Disposal: Dispose of containers in an approved landfill or by incineration.

Dosage: CYDECTIN (moxidectin) Pour-On is a ready-to-use topical formulation intended for direct application to the hair and skin in a narrow strip extending along the top of the back from the withers to the tailhead. Due to the angular topology characteristic of most dairy breeds, it is recommended that all pour-on products be applied slowly to dairy cows. Apply to healthy skin avoiding any mange scabs, skin lesions, mud or manure. Treated cattle can be easily recognized by the characteristic purple color, which will remain for a short period of time after treatment. The recommended rate of administration is 1 mL for each 22 lb (10 kg) body weight which provides 0.5 mg moxidectin for each 2.2 lb (0.5 mg/kg) body weight. The table below will assist in the calculation of the appropriate volume of pour-on which must be applied based on the weight of animal being treated.

Dosage Table

Body Weight (kg)	Dose (mL)	Body Weight (lb)	Dose (mL)
88	14.0	6	132(1540)
110	15.0	5	440(2000)
132	16.0	6	592(2750)
154	17.0	7	660(3000)
176	18.0	8	770(3500)
198	19.0	9	880(4000)
220	19.0	10	990(4500)
242	11.0	11	1100(5000)
264	12.0	12	1210(5500)
286	13.0	13	1320(6000)
308	14.0	14	1430(6500)

* Do not underdose. Ensure each animal receives a complete dose based on a current body weight. Underdosing may result in ineffective treatment and encourage the development of parasite resistance.

See package insert for complete administration and dosage information.



Lot No.:
 Exp. Date:



Treats 20 550 lb cattle

For the Treatment of Infections and Infestations Due to Internal and External Parasites of Beef and Dairy Cattle

Contents **500 mL (16.91 oz)**

Approved by FDA under NADA # **141-099**

Elanco™



CYDECTIN™
moxidectin

CYDECTIN (moxidectin) Pour-On when applied at the recommended dose level of 0.5 mg/2.2 lb (0.5 mg/kg) body weight is effective in the treatment and control of the following internal (adult and fourth-stage larvae (L4)) and external parasites:

Gastrointestinal Roundworms		Cattle Grubs
<i>Ostertagia ostertagi</i> - Adult and L4		<i>Hypoderma bovis</i>
(including inhibited larvae)		<i>Hypoderma lineatum</i>
<i>Haemonchus placei</i> - Adult and L4		Mites
<i>Trichostrongylus axei</i> - Adult and L4		<i>Charisipus bovis</i>
<i>Trichostrongylus colubriformis</i> - Adult and L4		<i>Psoroptes ovis</i> (<i>Psoroptes cunicularis</i> , <i>ovis</i>)
<i>Cosporia encyphora</i> - Adult		lice
<i>Cosporia pectinata</i> - Adult		<i>Linognathus seti</i>
<i>Cosporia punctata</i> - Adult and L4		<i>Haematoporus eurysternus</i>
<i>Cosporia spatulata</i> - Adult		<i>Solenopotes capivorus</i>
<i>Cosporia sumphrada</i> - Adult and L4		<i>Bovicola (Dermatobia) bovis</i>
<i>Bunostomum phlebotomum</i> - Adult		Horn Flies
<i>Nematostomum helveticum</i> - Adult and L4		<i>Haematobia irritans</i>
<i>Oesophagostomum radiatum</i> - Adult and L4		
Langsons		
<i>Dictyocaulus viviparus</i> - Adult and L4		

CYDECTIN Pour-On has been proven to effectively control infections and protect from reinfection with *Haemonchus placei* for 14 days after treatment, *Oesophagostomum radiatum* and *Ostertagia ostertagi* for 28 days after treatment, and *Dictyocaulus viviparus* for 42 days after treatment. Efficacy below 90% was observed in some *Ostertagia ostertagi* persistent activity studies at 21 and 28 days post-treatment.

For most effective external parasite control, CYDECTIN Pour-On should be applied to all cattle in the herd. Cattle entering the herd following this administration should be treated prior to introduction. Consult your veterinarian or a livestock extensionist for the most appropriate time to apply CYDECTIN Pour-On in your location to effectively control horn flies and external parasites. CYDECTIN Pour-On provides seven days of persistent activity against horn flies. For optimal control of horn flies, the product should be used as part of an integrated control program utilizing other methods to provide extended control.



Patent information at <http://www.elancopatents.com>
Restricted Drug (CA) - Use Only As Directed
Manufactured for:
Elanco US Inc.
Greenfield, IN 46140 U.S.A.
Made in Italy



STRIPS CUT
For the Treatment of Infections and Infestations Due to Internal and External Parasites of Beef and Dairy Cattle
moxidectin
CYDECTIN™
SH000988

CYDECTIN™
moxidectin

Warning: Not For Use in Humans. Keep this and all drugs out of the reach of children. This product can cause irritation to skin, eyes, or mucous membranes. In case of accidental skin contact and/or clothing contamination, wash skin thoroughly with soap and water and launder clothing with detergent. In case of accidental eye contact, flush eyes with copious amounts of water. When direct irritation occurs, cleanse hands and respiratory passages with fresh air. In case of ingestion do not induce vomiting and seek medical attention immediately. If irritation or any other symptoms attributable to exposure to this product persists, consult your physician.

For product questions, to report adverse reactions, or for a copy of the Safety Data Sheet (SDS), call Elanco Product & Veterinary Support at 1-800-428-4441.

Residue Warning: When used according to label directions, neither a pre-slaughter drug withdrawal period nor a milk discard time are required. Meat and milk from cattle treated with CYDECTIN (moxidectin) Pour-On may be used for human consumption at any time following treatment. A withdrawal period has not been established for the product in pre-weaning calves. Do not use in calves to be processed for veal.

OTHER WARNINGS

- Parasite resistance may develop to any dewormer, and has been reported for most classes of dewormers.
- Treatment with a dewormer used in conjunction with parasite management practices appropriate to the geographic area and the animals to be treated may slow the development of parasite resistance.
- Fecal examinations or other diagnostic tests and parasite management history should be used to determine if the product is appropriate for the herd/flock, prior to the use of any dewormer. Following the use of any dewormer, effectiveness of treatment should be monitored (for example, with the use of a fecal egg count, reduction test or another appropriate method).
- A decrease in a drug's effectiveness over time as calculated by fecal egg count reductions, tests, may indicate the development of resistance to the dewormer administered. Your parasite management plan should be adjusted accordingly based on regular monitoring.

Precautions: For external use only. Do not apply to areas of skin with range scabs, sun lesions, mud or manure. CYDECTIN Pour-On is not recommended for use in species other than cattle. This product has been formulated specifically for topical use in cattle and should not be used in other animal species or by other routes of administration as adverse reactions may occur.

Environmental Safety: Studies indicate that when moxidectin comes in contact with the soil it readily and lightly binds to the soil and becomes inactive. Free moxidectin may adversely affect fish and certain aquatic organisms. Do not contaminate water by direct application or by improper disposal of drug containers.

Contains 5 mg moxidectin/mL

Zero Slaughter Withdrawal. Not for Use in Veal Calves. Zero Milk Discard.

Treats 20 550 lb cattle

For the Treatment of Infections and Infestations Due to Internal and External Parasites of Beef and Dairy Cattle

Contents **500 mL (16.91 oz)**

Approved by FDA under NADA # 141-099

Elanco



CYDECTIN™
moxidectin

Pour-On for Beef and Dairy Cattle

Antiparasitic

Contains 5 mg moxidectin/mL

Zero Slaughter Withdrawal. Not for Use in Veal Calves. Zero Milk Discard.

Treats 20 550 lb cattle

For the Treatment of Infections and Infestations Due to Internal and External Parasites of Beef and Dairy Cattle

Contents **500 mL (16.91 oz)**

Approved by FDA under NADA # 141-099

Elanco

Storage: Store product at or below room temperature. Avoid prolonged exposure above 25°C (77°F). If product becomes frozen, thaw completely and shake well prior to use.

Disposal: Dispose of containers in an approved landfill or by incineration.

Dosage: CYDECTIN (moxidectin) Pour-On is a ready-to-use topical formulation intended for direct application to the hair and skin in a narrow strip extending along the top of the back from the withers to the tailhead. Due to the angular topology characteristic of most dairy breeds, it is recommended that all pour-on products be applied slowly to dairy cows. Apply to healthy skin avoiding any range scabs, skin lesions, mud or manure. Treated cattle can be easily recognized by the characteristic purple color, which will remain for a short period of time after treatment. The recommended rate of administration is 1 mL for each 22 lb (10 kg) body weight which provides 0.5 mg moxidectin for each 2.2 lb (0.5 mg/kg) body weight. The table below will assist in the calculation of the appropriate volume of pour-on which must be applied based on the weight of animal being treated.

Body Weight (lb)	Dose (mL)	Body Weight (kg)	Dose (mL)
88 (40)	4	330 (150)	15
110 (50)	5	440 (200)	20
132 (60)	6	550 (250)	25
154 (70)	7	660 (300)	30
176 (80)	8	770 (350)	35
198 (90)	9	880 (400)	40
220 (100)	10	990 (450)	45
242 (110)	11	1100 (500)	50
264 (120)	12	1210 (550)	55
286 (130)	13	1320 (600)	60
308 (140)	14	1430 (650)	65

Do not underdose. Ensure each animal receives a complete dose based on a current body weight. Underdosing may result in ineffective treatment, and encourage the development of parasite resistance. See package insert for complete administration and dosage information.

Barcode: C 2 J 1

Lot No: _____
Exp. Date: _____

CYDECTIN™
moxidectin

**Pour-On for Beef
and Dairy Cattle**

Antiparasitic

Contains 5 mg moxidectin/mL

Treats 20 550 lb cattle

Contents 500 mL (16.91 oz)

Patent information at
<http://www.elancopatents.com>

Approved by FDA under
NADA # 141-099.

Manufactured for:
Elanco US Inc.
Greenfield, IN 46140 U.S.A.

YL600399X

Restricted Drug (CA) - Use Only As Directed

**See package insert for complete
administration and dosage information.**

Elanco™

CYDECTIN™

moxidectin

Pour-On for Beef and Dairy Cattle

Antiparasitic

Contains 5 mg moxidectin/mL

Treats 20 550 lb cattle

Contents
500 mL
(16.91 oz)



Patent information at
<http://www.elancopatents.com>

Approved by FDA under
NADA # 141-099.

Manufactured for:
Elanco US Inc.
Greenfield, IN 46140 U.S.A.

YL600399X

Restricted Drug (CA) - Use Only As Directed

See package insert for complete
administration and dosage information. **Elanco**

C2H8

Lot:

Exp.:

Dosage: CYDECTIN Pour-On is a ready-to-use topical formulation intended for direct application to the hair and skin in a narrow strip extending along the top of the back from the withers to the tailhead. Due to the angular topline characteristic of most dairy breeds, it is recommended that all pour-on products be applied slowly to dairy cows. Apply to healthy skin avoiding any mange scabs, skin lesions, mud or manure. Treated cattle can be easily recognized by the characteristic purple color, which will remain for a short period of time after treatment. The recommended rate of administration is 1 mL for each 22 lb (10 kg) body weight which provides 0.5 mg moxidectin for each 2.2 lb (0.5 mg/kg) body weight.

Warning: Not For Use In Humans. Keep this and all drugs out of the reach of children. This product can cause irritation to skin, eyes, or mucous membranes. In case of accidental skin contact and/or clothing contamination, wash skin thoroughly with soap and water and launder clothing with detergent. In case of accidental eye contact, flush eyes with copious amounts of water. When direct inhalation occurs, cleanse lungs and respiratory passages with fresh air. In case of ingestion do not induce vomiting and seek medical attention immediately. If irritation or any other symptom attributable to exposure to this product persists, consult your physician.

For product questions, to report adverse reactions, or for a copy of the Safety Data Sheet (SDS), call Elanco Product & Veterinary Support at 1-800-428-4441.

Residue Warning: When used according to label directions, neither a pre-slaughter drug withdrawal period nor a milk discard time are required. Meat and milk from cattle treated with CYDECTIN Pour-On may be used for human consumption at any time following treatment. A withdrawal period has not been established for this product in pre-ruminating calves. Do not use in calves to be processed for veal.

Precautions: For external use in cattle only.

Environmental Safety: Do not contaminate water by direct application or by improper disposal of drug containers.

Storage: Store product at or below room temperature. Avoid prolonged exposure above 25°C (77°F). If product becomes frozen, thaw completely and shake well prior to use.

Disposal: Dispose of containers in an approved landfill or by incineration.

90207774_YL600235B

C 1 G 4

Principal Display Panel - 1 L Labels

**CYDECTIN™
moxidectin**

**Pour-On for Beef
and Dairy Cattle**

Antiparasitic

Contains 5 mg moxidectin/mL

**Zero Slaughter Withdrawal.
Not for Use in Veal Calves.
Zero Milk Discard.**

Treats 40 550 lb cattle

**For the Treatment of Infections
and Infestations Due to
Internal and External
Parasites of Beef and
Dairy Cattle**

Contents **1 L (33.81 oz)**

Approved by FDA under NADA # 141-099

Elanco™

For the Treatment of Infections and Infestations Due to Internal and External Parasites of Beef and Dairy Cattle

POUR-ON FOR BEEF AND DAIRY CATTLE

CYDECTIN™

moxidectin

CYDECTIN™

moxidectin

CYDECTIN™

moxidectin

Pour-On for Beef and Dairy Cattle

Antiparasitic

Contains 5 mg moxidectin/mL

Zero Slaughter Withdrawal. Not for Use in Veal Calves. Zero Milk Discard.

Treats 40 550 lb cattle

For the Treatment of Infections and Infestations Due to Internal and External Parasites of Beef and Dairy Cattle

Contents **1 L (33.81 oz)**

Approved by FDA under NADA #141-099

Elanco

CYDECTIN™

moxidectin

Pour-On for Beef and Dairy Cattle

Antiparasitic

Contains 5 mg moxidectin/mL

Zero Slaughter Withdrawal. Not for Use in Veal Calves. Zero Milk Discard.

Treats 40 550 lb cattle

For the Treatment of Infections and Infestations Due to Internal and External Parasites of Beef and Dairy Cattle

Contents **1 L (33.81 oz)**

Approved by FDA under NADA #141-099

Elanco

Environmental Safety: Studies indicate that when moxidectin comes in contact with the soil it readily and tightly binds to the soil and becomes inactive. Free moxidectin may adversely affect fish and certain aquatic organisms. Do not concentrate water by direct application or by improper disposal of drug containers.

Storage: Store product at or below room temperature. Avoid prolonged exposure above 25°C (77°F). If product becomes frozen, thaw completely and shake well prior to use.

Disposal: Dispose of containers in an approved landfill or by incineration.

Caution: **CYDECTIN (moxidectin) Pour-On** is a ready-to-use topical formulation intended for direct application to the hair and skin in a narrow strip extending along the top of the back from the withers to the tailhead. Due to the angular outline characteristics of most dairy breeds, it is recommended that all pour-on products be applied slowly to dairy cows. Apply to healthy skin avoiding eye, mange sores, skin lesions, mast or udders. Treated cattle can be readily recognized by the characteristic purple tinge, which will remain for a short period of time after treatment. The recommended rate of administration is 1 mL for each 22.6 kg (50 lb) body weight which provides 0.5 mg moxidectin for each 2.2 lb (10.5 mg/kg) body weight. The table below will assist in the calculation of the appropriate volume of pour-on which must be applied based on the weight of animal being treated.

Body Weight (kg)	Dose (mL)	Body Weight (lb)	Dose (mL)
88	1.60	4	3.31 (1200)
110	1.60	5	4.40 (1200)
132	1.60	6	5.50 (1200)
154	1.70	7	6.60 (1300)
176	1.80	8	7.70 (1300)
198	1.80	9	8.80 (1400)
220 (1100)	10	990 (1400)	45
242 (1110)	11	1100 (1500)	50
264 (1200)	12	1210 (1500)	55
286 (1300)	13	1320 (1600)	60
308 (1400)	14	1430 (1600)	65

Do not underestimate. Ensure each animal receives a complete dose based on a current body weight. Underdosing may result in ineffective treatment, and encourage the development of parasite resistance.

See package insert for complete administration and dosage information.

C 2 J 3

lot: Exp. Date:

CYDECTIN™

moxidectin

Pour-On for Beef and Dairy Cattle

Antiparasitic

Contains 5 mg moxidectin/mL

Zero Slaughter Withdrawal.

CYDECTIN™

moxidectin

Pour-On for Beef and Dairy Cattle

Antiparasitic

Contains 5 mg moxidectin/mL

Zero Slaughter Withdrawal.

**Not for Use in Veal Calves.
Zero Milk Discard.**

Treats 40 550 lb cattle

**For the Treatment of Infections
and Infestations Due to
Internal and External
Parasites of Beef and
Dairy Cattle**

Contents 1 L (33.81 oz)

Approved by FDA under NADA # 141-099

Elanco™

Internal and External Parasites of Beef and Dairy Cattle

Pour-On for Beef and Dairy Cattle

moxidectin

CYDECTIN™

CYDECTIN™

moxidectin

CYDECTIN™

moxidectin

Antiparasitic

Contains 5 mg moxidectin/mL

**Zero Slaughter Withdrawal.
Not for Use in Veal Calves.
Zero Milk Discard.**

Treats 40 550 lb cattle

**For the Treatment of Infections
and Infestations Due to
Internal and External
Parasites of Beef and
Dairy Cattle**

Contents 1 L (33.81 oz)

Approved by FDA under NADA #141-099

Elanco™

Patent information at <http://www.elanco.com/patents>
Restricted Drug (CA) - Use Only As Directed

SHED0400B

Manufactured for:
Elanco US Inc.
Greenfield, IN 46140 U.S.A.
Made in Italy

Elanco

Warning: Not For Use in Humans. Keep this and all drugs out of the reach of children. This product can cause irritation to skin, eyes, or mucous membranes. In case of accidental skin contact and/or clothing contamination, wash skin thoroughly with soap and water and launder clothing with detergent. In case of accidental eye contact, flush eye with copious amounts of water. When direct inhalation occurs, blow nose and respiratory passages with fresh air. In case of ingestion do not induce vomiting and seek medical attention immediately. If irritation or any other symptoms attributable to exposure to this product persist, consult your physician.

For product questions, to report adverse reactions, or for a copy of the Safety Data Sheet (SDS), call Elanco Product & Veterinary Support at 1-800-428-6441.

Residue Warning: When used according to label directions, neither a pour-on/ear tag drug withdrawal period nor a milk discard time are required. Meat and milk from cattle treated with CYDECTIN (moxidectin) Pour-On may be used for human consumption at any time following treatment. A withdrawal period has not been established for this product in processing animals. Do not use in calves to be processed for food.

OTHER WARNINGS:

- Parasite resistance may develop to any dewormer and has been reported for many classes of dewormers.
- Treatment with a dewormer used in conjunction with parasite management practices appropriate to the geographic area and the animal(s) to be treated may slow the development of parasite resistance.
- Feed examinations or other diagnostic tests and parasite management history should be used to determine if the product is appropriate for the herd/flock, prior to the use of any dewormer. Following the use of any dewormer, effectiveness of treatment should be monitored (for example, with the use of a fecal egg count reduction test or another appropriate method).
- A decrease in a drug's effectiveness over time as calculated by fecal egg count reduction tests may indicate the development of resistance to the dewormer administered. Your parasite management plan should be adjusted accordingly based on regular monitoring.

Precautions: For external use only. Do not apply to areas of skin with mange scabs, skin lesions, mud or manure. CYDECTIN Pour-On is not recommended for use in species other than cattle. This product has been formulated specifically for topical use in cattle and should not be used in other animal species or by other routes of administration as adverse reactions may occur.

CYDECTIN™

moxidectin

**Pour-On for Beef
and Dairy Cattle**

Antiparasitic

Contains 5 mg moxidectin/mL

**Zero Slaughter Withdrawal.
Not for Use in Veal Calves.
Zero Milk Discard.**

Treats 40 550 lb cattle

**For the Treatment of Infections
and Infestations Due to
Internal and External
Parasites of Beef and
Dairy Cattle**

Contents 1 L (33.81 oz)

Approved by FDA under NADA #141-099

Elanco™

Environmental Safety: Studies indicate that when moxidectin comes in contact with the soil it readily and tightly binds to the soil and becomes inactive. Free moxidectin may adversely affect fish and certain aquatic organisms. Do not contaminate water by direct application or by improper disposal of drug containers.

Storage: Store product at or below room temperature. Avoid prolonged exposure above 25°C (77°F). If product becomes frozen, thaw completely and shake well prior to use.

Disposal: Dispose of containers in an approved landfill or by incineration.

Usage: CYDECTIN (moxidectin) Pour-On is a ready-to-use topical formulation intended for direct application to the hair and skin in a narrow strip extending along the top of the back from the withers to the tailhead. Due to the angular shape characteristics of most dairy breeds, it is recommended that all pour-on products be applied slowly to dairy cows. Apply to healthy skin avoiding any mange scabs, skin lesions, mud or manure. Treated cattle can be rapidly recognized by the characteristic purple color, which will remain for a short period of time after treatment. The recommended rate of administration is 1 mL for each 22 lb (10 kg) body weight which provides 0.5 mg moxidectin for each 2.2 lb (1.0 kg) body weight. The table below will assist in the calculation of the appropriate volume of pour-on which must be applied based on the weight of animal being treated.

Dosage Table			
Body Weight (kg)	Dose (mL)	Body Weight (lb)	Dose (mL)
44 (100)	4	100 (220)	15
110 (250)	5	250 (550)	20
132 (300)	6	300 (660)	25
154 (350)	7	350 (770)	30
176 (400)	8	400 (880)	35
198 (450)	9	450 (990)	40
220 (500)	10	500 (1100)	45
242 (550)	11	550 (1210)	50
264 (600)	12	600 (1320)	55
286 (650)	13	650 (1430)	60
308 (700)	14	700 (1540)	65

Do not underdose. Ensure each animal receives a complete dose based on a current body weight. Underdosing may result in ineffective treatment, and encourage the development of parasite resistance. See package insert for complete administration and dosage information.

UPL#111403

C 2 U 4

Exp. Date

CYDECTIN™
moxidectin

Pour-On for Beef and Dairy Cattle

Antiparasitic

Contains 5 mg moxidectin/mL

Treats 40 550 lb cattle

**For the Treatment of Infections and
Infestations Due to Internal and External
Parasites of Beef and Dairy Cattle**

Patent information at <http://www.elancopatents.com>

Approved by FDA under NADA # 141-099.

Contents

1 L (33.81 oz)

Manufactured for:

Elanco US Inc.

Greenfield, IN 46140 U.S.A.

YL600400X

Elanco™

CYDECTIN™

moxidectin

Pour-On for Beef and Dairy Cattle

Antiparasitic

Contains 5 mg moxidectin/mL

Treats 40 550 lb cattle

For the Treatment of Infections and Infestations Due to Internal and External Parasites of Beef and Dairy Cattle

Patent information at <http://www.elancopatents.com>
Approved by FDA under NADA # 141-099.

Contents
1 L (33.81 oz)

Manufactured for:
Elanco US Inc.
Greenfield, IN 46140 U.S.A.
YL600400X



Elanco

C2J2

Lot:

Exp.:

Dosage: CYDECTIN Pour-On is a ready-to-use topical formulation intended for direct application to the hair and skin in a narrow strip extending along the top of the back from the withers to the tailhead. Due to the angular topline characteristic of most dairy breeds, it is recommended that all pour-on products be applied slowly to dairy cows. Apply to healthy skin avoiding any mange scabs, skin lesions, mud or manure. Treated cattle can be easily recognized by the characteristic purple color, which will remain for a short period of time after treatment. The recommended rate of administration is 1 mL for each 22 lb (10 kg) body weight which provides 0.5 mg moxidectin for each 2.2 lb (0.5 mg/kg) body weight.

Warning: Not For Use In Humans. Keep this and all drugs out of the reach of children. This product can cause irritation to skin, eyes, or mucous membranes. In case of accidental skin contact and/or clothing contamination, wash skin thoroughly with soap and water and launder clothing with detergent. In case of accidental eye contact, flush eyes with copious amounts of water. When direct inhalation occurs, cleanse lungs and respiratory passages with fresh air. In case of ingestion do not induce vomiting and seek medical attention immediately. If irritation or any other symptom attributable to exposure to this product persists, consult your physician.

For product questions, to report adverse reactions, or for a copy of the Safety Data Sheet (SDS), call Elanco Product & Veterinary Support at 1-800-428-4441.

Residue Warning: When used according to label directions, neither a pre-slaughter drug withdrawal period nor a milk discard time are required. Meat and milk from cattle treated with CYDECTIN Pour-On may be used for human consumption at any time following treatment. A withdrawal period has not been established for this product in pre-ruminating calves. Do not use in calves to be processed for veal.

Precautions: For external use in cattle only.

Environmental Safety: Do not contaminate water by direct application or by improper disposal of drug containers.

Storage: Store product at or below room temperature. Avoid prolonged exposure above 25°C (77°F). If product becomes frozen, thaw completely and shake well prior to use.

Disposal: Dispose of containers in an approved landfill or by incineration.

See package insert for complete administration and dosage information.

Restricted Drug (CA) - Use Only As Directed

C 1 F 4

90207724_YL600233B

Elanco

Principal Display Panel - 2.5 L Labels

**CYDECTIN™
moxidectin**

**Pour-On for Beef
and Dairy Cattle**

Antiparasitic

Contains 5 mg moxidectin/mL

Zero Slaughter Withdrawal.

Not for Use in Veal Calves.

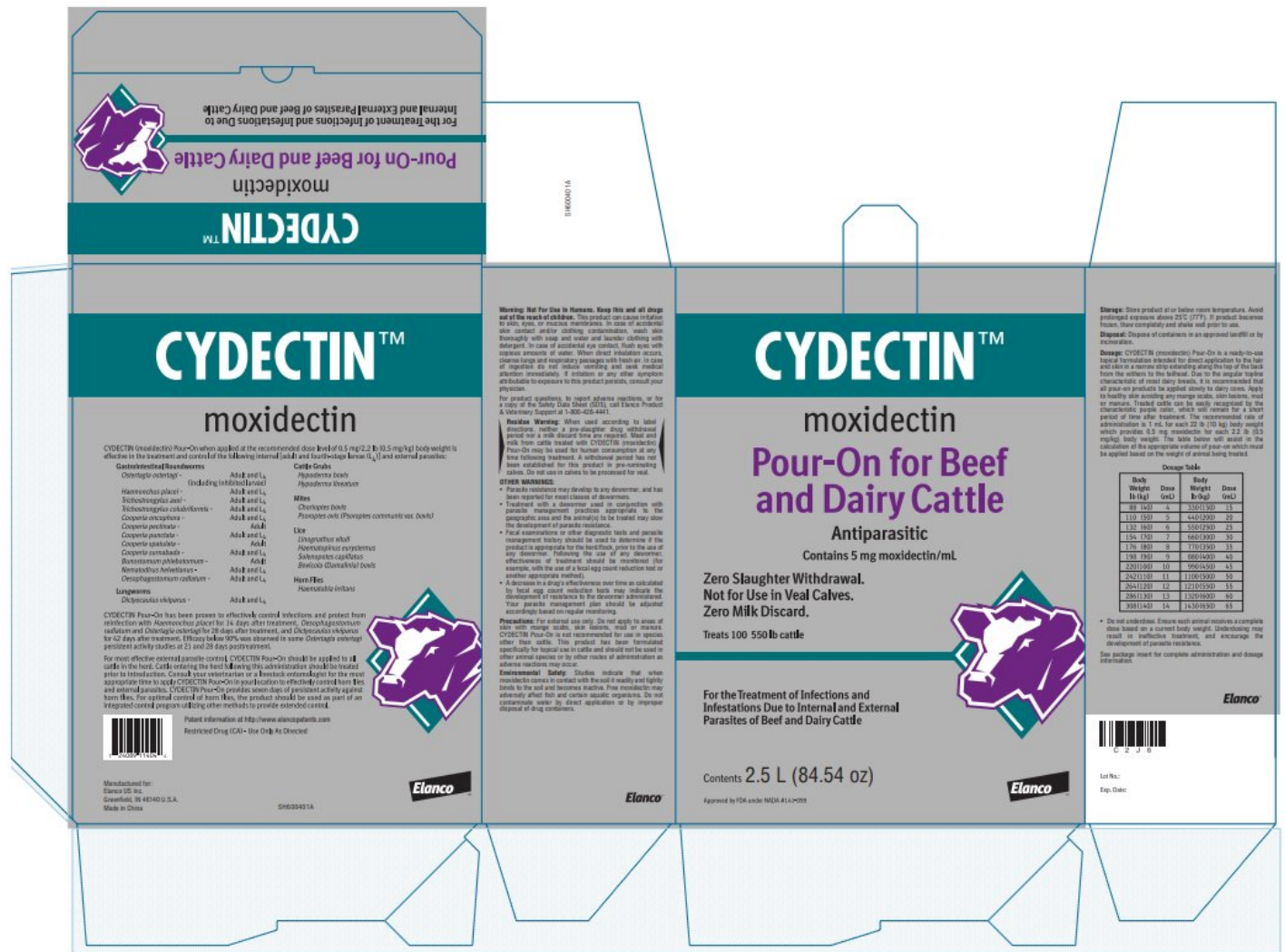
Zero Milk Discard.

Treats 100 550 lb cattle

**For the Treatment of Infections and
Infestations Due to Internal and External
Parasites of Beef and Dairy Cattle**

Contents **2.5 L (84.54 oz)**

Approved by FDA under NADA # 141-099



CYDECTIN™
moxidectin

Pour-On for Beef and Dairy Cattle

Antiparasitic

Contains 5 mg moxidectin/mL

Zero Slaughter Withdrawal. Not for Use in Veal Calves. Zero Milk Discard.

Treats 100 550 lb cattle

For the Treatment of Infections and Infestations Due to Internal and External Parasites of Beef and Dairy Cattle

Contents **2.5 L (84.54 oz)**

Warnings: Not for Use in Humans. Keep this and all drugs out of the reach of children. This product can cause irritation to skin, eyes or mucous membranes in case of accidental skin contact and/or clothing contamination, wash skin thoroughly with soap and water and launder clothing with detergent. In case of accidental eye contact, flush eyes with copious amounts of water. When direct contact occurs, cleanse lungs and respiratory passages with fresh air. In case of respiratory distress, vomiting and/or severe reaction, attention immediately. If irritation or any other symptoms attributable to exposure to this product persists, consult your physician.

Precautions: For external use only. Do not apply to areas of skin with open sores, skin lesions, red or itchy areas. CYDECTIN Pour-On is not recommended for use in species other than cattle. This product has been formulated specifically for topical use in cattle and should not be used in other animal species or by other routes of administration as adverse reactions may occur.

Environmental Safety: Studies indicate that when moxidectin comes in contact with the soil it readily and lightly binds to the soil and becomes inactive. This moxidectin may adversely affect fish and certain aquatic organisms. Do not contaminate water by direct application or by improper disposal of drug containers.

Directions: For external use only. Do not apply to areas of skin with open sores, skin lesions, red or itchy areas. CYDECTIN Pour-On is not recommended for use in species other than cattle. This product has been formulated specifically for topical use in cattle and should not be used in other animal species or by other routes of administration as adverse reactions may occur.

Resistance: Parasite resistance may develop to any dewormer, and has been reported for most classes of dewormers. Treatment with a dewormer used in conjunction with parasite management practices appropriate to the geographic area and the animal(s) to be treated may slow the development of parasite resistance.

Precautions: For external use only. Do not apply to areas of skin with open sores, skin lesions, red or itchy areas. CYDECTIN Pour-On is not recommended for use in species other than cattle. This product has been formulated specifically for topical use in cattle and should not be used in other animal species or by other routes of administration as adverse reactions may occur.

Storage: Store product at or below room temperature. Avoid prolonged exposure above 25°C (77°F). If product becomes frozen, thaw completely and shake well prior to use.

Disposal: Dispose of containers in an approved landfill or by incineration.

Dosage Table

Body Weight (lb/kg)	Dose (oz/ml)	Body Weight (lb/kg)	Dose (oz/ml)
33-120	4	1301-1900	11
110-150	5	1440-2000	15
130-180	6	1560-2100	21
154-190	7	1660-2300	25
175-180	8	1710-2500	31
198-190	9	1800-2600	40
2000-2000	10	1900-2600	45
2420-2100	11	11000-2900	50
2540-2200	12	12100-3000	61
2880-2300	13	13300-3000	70
3000-2400	14	14300-3000	81

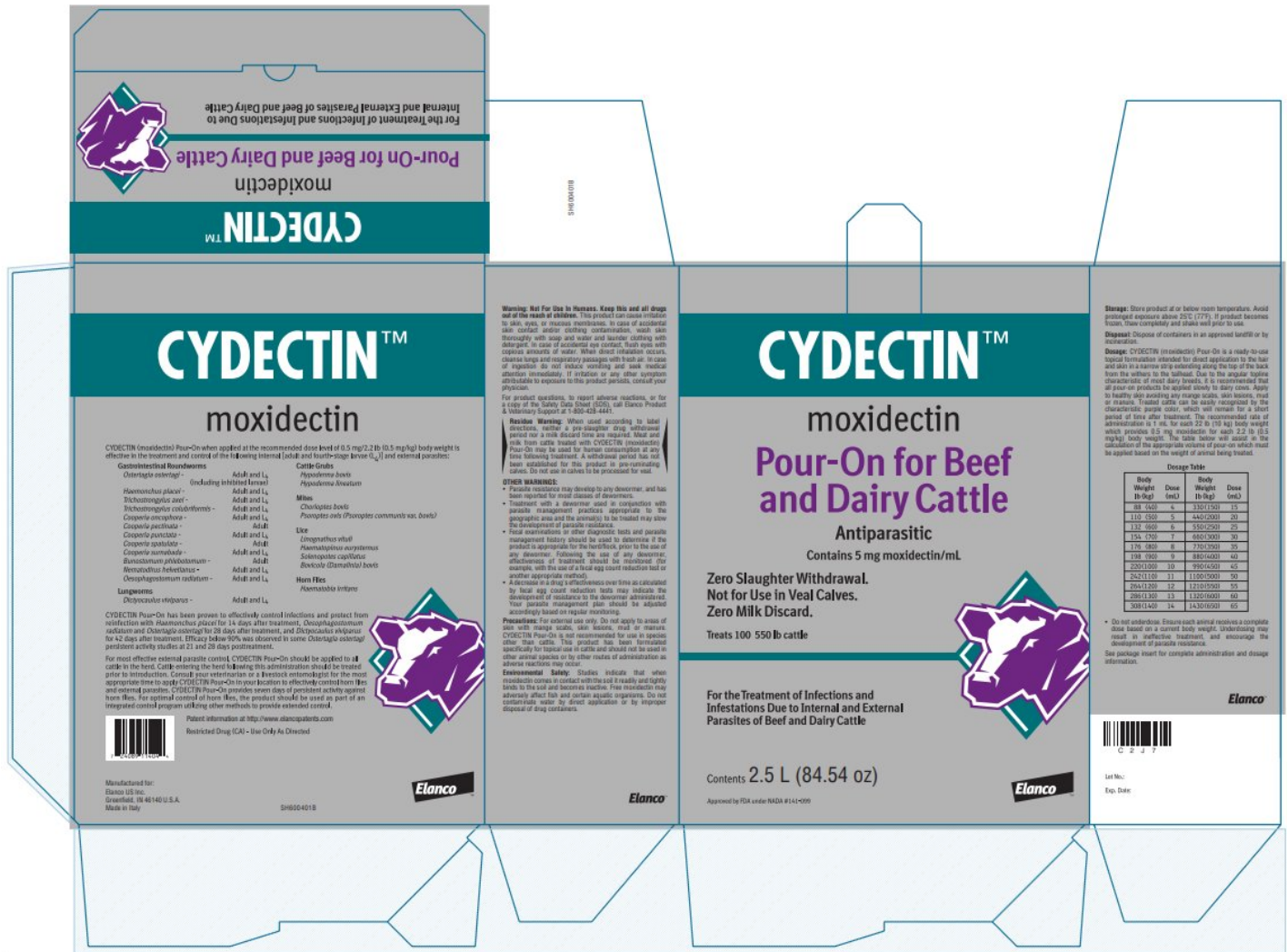
* Do not confound. Ensure each animal receives a complete dose based on its current body weight. Underdosing may result in ineffective treatment, and encourage the development of parasite resistance.

See package insert for complete administration and dosage information.



Approved by FDA under NADA # 141-099

Elanco™



**CYDECTIN™
moxidectin
Pour-On for Beef and Dairy Cattle
Antiparasitic**

Contains 5 mg moxidectin/mL

Treats 100 550 lb cattle

For the Treatment of Infections and Infestations Due to Internal and External Parasites of Beef and Dairy Cattle

Contents **2.5 L (84.54 oz)**

Patent information at <http://www.elancopatents.com>

Approved by FDA under NADA # 141-099.

Manufactured for:
Elanco US Inc.
Greenfield, IN 46140 U.S.A.

YL600401X

ElancoTM

CYDECTINTM

moxidectin

Pour-On for Beef and Dairy Cattle
Antiparasitic

Contains 5 mg moxidectin/mL
Treats 100 550 lb cattle

For the Treatment of Infections
and Infestations Due to Internal
and External Parasites of
Beef and Dairy Cattle

Contents 2.5 L (84.54 oz)

Patent information at <http://www.elancopatents.com>
Approved by FDA under NADA # 141-099.

Manufactured for:
Elanco US Inc.
Greenfield, IN 46140 U.S.A.

YL600401X

ElancoTM



Dosage: CYDECTIN Pour-On is a ready-to-use topical formulation intended for direct application to the hair and skin in a narrow strip extending along the top of the back from the withers to the tailhead. Due to the angular topline characteristic of most dairy breeds, it is recommended that all pour-on products be applied slowly to dairy cows. Apply to healthy skin avoiding any mange scabs, skin lesions, mud or manure. Treated cattle can be easily recognized by the characteristic purple color, which will remain for a short period of time after treatment. The recommended rate of administration is 1 mL for each 22 lb (10 kg) body weight which provides 0.5 mg moxidectin for each 2.2 lb (0.5 mg/kg) body weight.

- Do not underdose. Ensure each animal receives a complete dose based on a current body weight. Underdosing may result in ineffective treatment, and encourage the development of parasite resistance.

Warning: Not For Use in Humans. Keep this and all drugs out of the reach of children. This product can cause irritation to skin, eyes, or mucous membranes. In case of accidental skin contact and/or clothing contamination, wash skin thoroughly with soap and water and launder clothing with detergent. In case of accidental eye contact, flush eyes with copious amounts of water. When direct inhalation occurs, cleanse lungs and respiratory passages with fresh air. In case of ingestion do not induce vomiting and seek medical attention immediately. If irritation or any other symptom attributable to exposure to this product persists, consult your physician.

For product questions, to report adverse reactions, or for a copy of the Safety Data Sheet (SDS), call Elanco Product & Veterinary Support at 1-800-428-4441.

Residue Warning: When used according to label directions, neither a pre-slaughter drug withdrawal period nor a milk discard time are required. Meat and milk from cattle treated with CYDECTIN Pour-On may be used for human consumption at any time following treatment. A withdrawal period has not been established for this product in pre-ruminating calves. Do not use in calves to be processed for veal.

OTHER WARNINGS

- Parasite resistance may develop to any dewormer, and has been reported for most classes of dewormers.
- Treatment with a dewormer used in conjunction with parasite management practices appropriate to the geographic area and the animal(s) to be treated may slow the development of parasite resistance.
- Fecal examinations or other diagnostic tests and parasite management history should be used to determine if the product is appropriate for the herd/flock, prior to the use of any dewormer. Following the use of any dewormer, effectiveness of treatment should be monitored (for example, with the use of a fecal egg count reduction test or another appropriate method).
- A decrease in a drug's effectiveness over time as calculated by fecal egg count reduction tests may indicate the development of resistance to the dewormer administered. Your parasite management plan should be adjusted accordingly based on regular monitoring.

Precautions: For external use in cattle only.

Environmental Safety: Do not contaminate water by direct application or by improper disposal of drug containers.

Storage: Store product at or below room temperature. Avoid prolonged exposure above 25°C (77°F). If product becomes frozen, thaw completely and shake well prior to use.

Disposal: Dispose of containers in an approved landfill or by incineration.

See package insert for complete administration and dosage information.

Restricted Drug (CA) - Use Only As Directed

C 1 F 9

90207729_YL600234B

Elanco™

Principal Display Panel - 5 L Labels

**CYDECTIN™
moxidectin**

**Pour-On for
Beef and Dairy Cattle**

Antiparasitic

Contains 5 mg moxidectin/mL

**Zero Slaughter Withdrawal.
Not for Use in Veal Calves.
Zero Milk Discard.**

Treats 200 550 lb cattle

**For the Treatment of Infections and
Infestations Due to Internal and External
Parasites of Beef and Dairy Cattle**

Contents 5 L (1.32 Gallons)

Approved by FDA under NADA # 141-099

Elanco™

For the Treatment of Infections and Infestations
Due to Internal and External Parasites of
Beef and Dairy Cattle

Pour-On for Beef and Dairy Cattle

moxidectin

CYDECTIN™

moxidectin

CYDECTIN™

moxidectin

**Pour-On for
Beef and Dairy Cattle**

Antiparasitic

Contains 5 mg moxidectin/mL

**Zero Slaughter Withdrawal.
Not for Use in Veal Calves.
Zero Milk Discard.**

Treats 200 550 lb cattle

**For the Treatment of Infections and
Infestations Due to Internal and External
Parasites of Beef and Dairy Cattle**

Contents 5 L (1.32 Gallons)

Elanco

CYDECTIN™

moxidectin

**Pour-On for
Beef and Dairy Cattle**

Antiparasitic

Contains 5 mg moxidectin/mL

**Zero Slaughter Withdrawal.
Not for Use in Veal Calves.
Zero Milk Discard.**

Treats 200 550 lb cattle

**For the Treatment of Infections and
Infestations Due to Internal and External
Parasites of Beef and Dairy Cattle**

Contents 5 L (1.32 Gallons)

Elanco

CYDECTIN™

moxidectin

**Pour-On for
Beef and Dairy Cattle**

Antiparasitic

Contains 5 mg moxidectin/mL

**Zero Slaughter Withdrawal.
Not for Use in Veal Calves.
Zero Milk Discard.**

Treats 200 550 lb cattle

**For the Treatment of Infections and
Infestations Due to Internal and External
Parasites of Beef and Dairy Cattle**

Contents 5 L (1.32 Gallons)

Elanco

Warnings: Not For Use in Humans. Keep this and all drugs out of the reach of children. This product can cause irritation to skin, eyes, or mucous membranes. In case of accidental skin contact and/or clothing contamination, wash skin thoroughly with soap and water and launder clothing with detergent in case of accidental eye contact. Wash eyes with copious amounts of water. When direct contact occurs, immerse legs and respiratory passages with fresh air. In case of ingestion do not induce vomiting and seek medical attention immediately. If irritation or any other symptom attributable to this product persists, consult your physician. For product questions, to report adverse reactions, or for a copy of the Safety Data Sheet (SDS), call Elanco Product & Veterinary Support at 1-800-428-4441.

Residue Warning: When used according to label directions, neither a pre-slaughter drug withdrawal period nor a milk discard time are required. Meat and milk from cattle treated with CYDECTIN (moxidectin) Pour-On may be used for human consumption at any time following treatment. A withdrawal period has not been established for this product in pre-weaning calves. Do not use in calves to be processed for use.

Other warnings:

- Parasite resistance may develop to any dewormer, and has been reported for most classes of dewormers.
- Treatment with a dewormer used in conjunction with parasite management practices appropriate to the geographic area and the animals to be treated may slow the development of parasite resistance.
- Real timepoint or other diagnostic tests and parasite management history should be used to determine if the product is appropriate for the herd/flock, prior to the use of any dewormer. Following the use of any dewormer, effectiveness of treatment should be monitored (for example, with the use of a fecal egg count reduction test or another appropriate method).
- A decrease in a drug's effectiveness over time as calculated by fecal egg count reduction tests may indicate the development of resistance to the dewormer administered. Your parasite management plan should be adjusted accordingly based on regular monitoring.

Precautions: For external use only. Do not apply to areas of skin with large sores, skin lesions, mud or manure. CYDECTIN Pour-On is not recommended for use in species other than cattle. This product has been formulated specifically for topical use in cattle and should not be used in other animal species or by other routes of administration as adverse reactions may occur.

Environmental Safety: Studies indicate that when moxidectin comes in contact with the soil it readily and lightly binds to the soil and becomes inactive. Its toxicity may adversely affect fish and certain aquatic organisms. Do not contaminate water by direct application or by improper disposal of drug containers.

Storage: Store product at or below room temperature. Avoid prolonged exposure above 25°C (77°F). If product becomes frozen, thaw completely and shake well prior to use.

Disposal: Dispose of containers in an approved landfill or by incineration. **Caution:** CYDECTIN (moxidectin) Pour-On is a ready-to-use topical formulation intended for direct application to the hair and skin in a narrow strip extending along the top of the back from the withers to the tailhead. Due to the unique histone characteristics of most dairy breeds, it is recommended that all pour-on products be applied slowly to dairy cows. Apply to healthy skin avoiding any mange scabs, skin lesions, mud or manure. Treated cattle can be easily recognized by the characteristic purple color, which will remain for a short period of time after treatment. The recommended rate of administration is 1 mL for each 22.5 kg (50 lb) body weight which provides 5 mg moxidectin for each 2.2 lb (1.0 kg) body weight. The table below will assist in the calculation of the appropriate volume of pour-on which must be applied based on the weight of animal being treated.

Dosage Table			
Body Weight (kg)	Dose (mL)	Body Weight (lb)	Dose (mL)
88 (193)	4	130 (287)	15
110 (242)	5	140 (309)	20
132 (292)	6	150 (331)	25
154 (340)	7	160 (353)	30
176 (388)	8	170 (375)	35
198 (437)	9	180 (397)	40
220 (485)	10	190 (419)	45
242 (533)	11	200 (441)	50
264 (582)	12	210 (463)	55
286 (630)	13	220 (485)	60
308 (678)	14	230 (507)	65

* Do not underestimate. Ensure each animal receives a complete dose based on a current body weight. Underdosing may result in ineffective treatment, and encourage the development of parasite resistance.

See package insert for complete administration and dosage information.

Elanco

**CYDECTIN™
moxidectin**

**Pour-On for
Beef and Dairy Cattle**

Antiparasitic

Contains 5 mg moxidectin/mL

**Zero Slaughter Withdrawal.
Not for Use in Veal Calves.
Zero Milk Discard.**

Treats 200 550 lb cattle

For the Treatment of Infections and Infestations Due to Internal and External Parasites of Beef and Dairy Cattle

Contents 5 L (1.32 Gallons)

Approved by FDA under NADA # 141-099

Elanco™

For the Treatment of Infections and Infestations Due to Internal and External Parasites of Beef and Dairy Cattle

Four-On for Beef and Dairy Cattle

moxidectin

CYDECTIN™

moxidectin

Antiparasitic

Contains 5 mg moxidectin/mL

Treats 200 550 lb cattle

For the Treatment of Infections and Infestations Due to Internal and External Parasites of Beef and Dairy Cattle

Contents 5 L (1.32 Gallons)

Elanco

SH800428

Elanco US Inc. Greenfield, IN 46140 U.S.A. Made in Italy

Warning: Not For Use in Humans. Keep this and all drugs out of the reach of children. This product can cause irritation to skin, eyes, or mucous membranes. In case of accidental skin contact and/or clothing contamination, wash skin thoroughly with soap and water and launder clothing with detergent. In case of accidental eye contact, flush eyes with copious amounts of water. When direct inhalation occurs, cleanse nose and respiratory passages with fresh air. In case of ingestion do not induce vomiting and seek medical attention immediately. If irritation or any other symptoms attributable to exposure to this product persist, consult your physician.

Precautions: For practical questions, to report adverse reactions, or for a copy of the Safety Data Sheet (SDS), call Elanco Product & Veterinary Support at 1-800-429-4441.

Residue Warning: When used according to label directions, neither a pre-slaughter drug withdrawal period nor a milk discard time are required. Meat and milk from cattle treated with CYDECTIN (moxidectin) Pour-On may be used for human consumption at any time following treatment. A withdrawal period has not been established for this product in pre-ruminating calves. Do not use in calves to be processed for meat.

OTHER WARNINGS:

- Parasite resistance may develop to any dewormer and has been reported for most classes of dewormers.
- Treatment with a dewormer used in conjunction with parasite management practices appropriate to the geographic area and the animal(s) to be treated may slow the development of parasite resistance.
- Fecal examinations or other diagnostic tests and parasite management history should be used to determine if the product is appropriate for the herd/flock, prior to the use of any dewormer. Following the use of any dewormer, effectiveness of treatment should be monitored (for example, with the use of a fecal egg count reduction test or another appropriate method).
- If decrease in a drug's effectiveness over time is calculated by fecal egg count reduction tests may indicate the development of resistance to the dewormer administered. Your parasite management plan should be adjusted accordingly based on regular monitoring.

Precautions: For external use only. Do not apply to areas of skin with large scales, skin lesions, mud or manure. CYDECTIN Pour-On is not recommended for use in species other than cattle. This product has been formulated specifically for topical use in cattle and should not be used in other animal species or by other routes of administration as adverse reactions occur.

Environmental Safety: Studies indicate that when moxidectin comes in contact with the soil it readily and tightly binds to the soil and becomes inactive. Free moxidectin may adversely affect fish and certain aquatic organisms. Do not contaminate water by direct application or by improper disposal of drug containers.

Storage: Store product at or below room temperature. Avoid prolonged exposure above 25°C (77°F). If product becomes frozen, thaw completely and shake well prior to use.

Dispense: Dispense of containers in an approved landfill or by incineration.

Usage: CYDECTIN (moxidectin) Pour-On is a ready-to-use topical formulation intended for direct application to the hair and skin in a narrow strip extending along the top of the back from the withers to the hindquarters. Due to the unique texture characteristics of most dairy breeds, it is recommended that all pour-on products be applied close to dairy cows. Apply to healthy skin avoiding any mange sores, skin lesions, mud or manure. Treated cattle can be easily recognized by the characteristic purple color, which will remain for a short period of time after treatment. The recommended rate of administration is 1 mL for each 22 to 110 kg body weight which provides 0.5 mg moxidectin for each 2.2 to 10.5 mg/kg body weight. The table below will assist in the calculation of the appropriate volume of pour-on which must be applied based on the weight of animal being treated.

Dosage Table			
Body Weight (lb)	Dose (mL)	Body Weight (kg)	Dose (mL)
88 (40)	4	330 (150)	15
110 (50)	5	440 (200)	20
132 (60)	6	550 (250)	25
154 (70)	7	660 (300)	30
176 (80)	8	770 (350)	35
198 (90)	9	880 (400)	40
220 (100)	10	990 (450)	45
242 (110)	11	1100 (500)	50
264 (120)	12	1210 (550)	55
286 (130)	13	1320 (600)	60
308 (140)	14	1430 (650)	65

* Do not undertake. Ensure each animal receives a complete dose based on a current body weight. Underdosing may result in ineffective treatment, and encourage the development of parasite resistance.

See package insert for complete administration and dosage information.

Elanco

List No.:
Exp. Date:

**CYDECTIN™
moxidectin**

Pour-On for Beef and Dairy Cattle

Antiparasitic

Contains 5 mg moxidectin/mL

Treats 200 550 lb cattle

**For the Treatment of Infections and
Infestations Due to Internal and
External Parasites of Beef
and Dairy Cattle**

Contents **5 L (1.32 Gallons)**

Patent information at <http://www.elancopatents.com>

Approved by FDA under NADA # 141-099.

Manufactured for:

Elanco US Inc.

Greenfield, IN 46140 U.S.A.

YL600402X

Elanco[™]

CYDECTIN™

moxidectin

Pour-On for Beef and Dairy Cattle

Antiparasitic

Contains 5 mg moxidectin/mL
Treats 200 550 lb cattle

For the Treatment of Infections and
Infestations Due to Internal and
External Parasites of Beef
and Dairy Cattle

Contents **5 L (1.32 Gallons)**

Patent information at <http://www.elancopatents.com>
Approved by FDA under NADA # 141-099.

YL600402X

Manufactured for:
Elanco US Inc.
Greenfield, IN 46140 U.S.A.

Elanco



C2J8

Lot:
Exp.:

Dosage: CYDECTIN Pour-On is a ready-to-use topical formulation intended for direct application to the hair and skin in a narrow strip extending along the top of the back from the withers to the tailhead. Due to the angular topline characteristic of most dairy breeds, it is recommended that all pour-on products be applied slowly to dairy cows. Apply to healthy skin avoiding any mange scabs, skin lesions, mud or manure. Treated cattle can be easily recognized by the characteristic purple color, which will remain for a short period of time after treatment. The recommended rate of administration is 1 mL for each 22 lb (10 kg) body weight which provides 0.5 mg moxidectin for each 2.2 lb (0.5 mg/kg) body weight.

- Do not underdose. Ensure each animal receives a complete dose based on a current body weight. Underdosing may result in ineffective treatment, and encourage the development of parasite resistance.

Warning: Not For Use In Humans. Keep this and all drugs out of the reach of children. This product can cause irritation to skin, eyes, or mucous membranes. In case of accidental skin contact and/or clothing contamination, wash skin thoroughly with soap and water and launder clothing with detergent. In case of accidental eye contact, flush eyes with copious amounts of water. When direct inhalation occurs, cleanse lungs and respiratory passages with fresh air. In case of ingestion do not induce vomiting and seek medical attention immediately. If irritation or any other symptom attributable to exposure to this product persists, consult your physician.

For product questions, to report adverse reactions, or for a copy of the Safety Data Sheet (SDS), call Elanco Product & Veterinary Support at 1-800-428-4441.

Residue Warning: When used according to label directions, neither a pre-slaughter drug withdrawal period nor a milk discard time are required. Meat and milk from cattle treated with CYDECTIN Pour-On may be used for human consumption at any time following treatment. A withdrawal period has not been established for this product in pre-ruminating calves. Do not use in calves to be processed for veal.

OTHER WARNINGS

- Parasite resistance may develop to any dewormer, and has been reported for most classes of dewormers.
- Treatment with a dewormer used in conjunction with parasite management practices appropriate to the geographic area and the animal(s) to be treated may slow the development of parasite resistance.
- Fecal examinations or other diagnostic tests and parasite management history should be used to determine if the product is appropriate for the herd/flock, prior to the use of any dewormer. Following the use of any dewormer, effectiveness of treatment should be monitored (for example, with the use of a fecal egg count reduction test or another appropriate method).
 - A decrease in a drug's effectiveness over time as calculated by fecal egg count reduction tests may indicate the development of resistance to the dewormer administered. Your parasite management plan should be adjusted accordingly based on regular monitoring.

Precautions: For external use in cattle only.

Environmental Safety: Do not contaminate water by direct application or by improper disposal of drug containers.

Storage: Store product at or below room temperature. Avoid prolonged exposure above 25°C (77°F). If product becomes frozen, thaw completely and shake well prior to use.

Disposal: Dispose of containers in an approved landfill or by incineration.

See package insert for complete administration and dosage information.

Restricted Drug (CA) - Use Only As Directed

90207779_YL600236B

C 1 G 8

Elanco™

Principal Display Panel - 10 L Labels

**CYDECTIN™
moxidectin**

**Pour-On for
Beef and Dairy Cattle**

Antiparasitic

Contains 5 mg moxidectin/mL

**Zero Slaughter Withdrawal.
Not for Use in Veal Calves.
Zero Milk Discard.**

Treats 400 550 lb cattle

**For the Treatment of Infections
and Infestations Due to
Internal and External Parasites
of Beef and Dairy Cattle**

Contents 10 L (2.64 Gallons)

Approved by FDA under NADA # 141-099

Elanco™

Pour-On for Beef and Dairy Cattle
moxidectin
CYDECTIN™
moxidectin

CYDECTIN™
moxidectin

FPO

Case label placed here

#141-099-0001

Warning: Not For Use in Humans. Keep this and all drugs out of the reach of children. This product can cause irritation to the skin, eyes, or mucous membranes. In case of accidental skin contact and/or clothing contamination, wash skin thoroughly with soap and water and launder clothing with detergent. In case of accidental eye contact, flush eyes with copious amounts of water. When direct inhalation occurs, cleanse lungs and respiratory passages with fresh air. In case of ingestion do not induce vomiting and seek medical attention immediately. If irritation or any other symptom attributable to exposure to this product persists, consult your physician.

For product questions, to report adverse reactions, or for a copy of the Safety Data Sheet (SDS), visit Elanco Product & Veterinary Support at 1-800-445-4441.

Residue Warning: When used according to label directions, neither a pre-slaughter drug withdrawal period nor a withdrawal time are required. Meat and milk from cattle treated with CYDECTIN (moxidectin) Pour-On may be used for human consumption at any time following treatment. A withdrawal period has not been established for this product in pre-arranging calves. Do not use in calves to be processed for veal.

OTHER WARNINGS

- Parasite resistance may develop to any dewormer, and has been reported for most classes of dewormers.
- Treatment with a dewormer used in conjunction with parasite management practices appropriate to the geographic area and the animal(s) to be treated may slow the development of parasite resistance.
- Facial dermatitis or other dermatologic signs and parasite management history should be used to determine if the product is appropriate for the herd/flock, prior to the use of any dewormer. Following the use of any dewormer, effectiveness of treatment should be monitored (for example, with the use of a fecal egg count reduction test or another appropriate method).
- A decrease in a drug's effectiveness over time as calculated by fecal egg count reduction tests may indicate the development of resistance to the dewormer administered. For parasite management plans to be acquired accordingly, consult your regular reporting.
- **Precaution:** For external use only. Do not apply to areas of skin with moles, sores, skin lesions, mud or manure. CYDECTIN Pour-On is not recommended for use in species other than cattle. This product has been formulated specifically for topical use in cattle and should not be used in other animal species or by other routes of administration as adverse reactions may occur.

Environmental Safety: Studies indicate that when moxidectin comes in contact with the soil it rapidly and tightly binds to the soil and becomes inactive. From moxidectin may adversely affect fish and certain aquatic organisms. Do not contaminate water by direct application or by improper disposal of drug containers.

Dosage: CYDECTIN (moxidectin) Pour-On is a ready-to-use topical formulation intended for direct application to the hair and skin in a narrow strip extending along the top of the back from the withers to the tailhead. Due to the angular nature of the back of most dairy breeds, it is recommended that all pour-on products be applied evenly to dairy cows. Apply to healthy skin avoiding any moles, sores, skin lesions, mud or manure. Treated cattle can be easily recognized by the characteristic purple color, which will remain for a short period of time after treatment. The recommended rate of administration is 1 mL (or 0.25 oz) per 100 lb body weight which provides 0.5 mg moxidectin for each 2.2 lb (1 kg) body weight. The sale bottle will contain the quantity of the appropriate volume of pour-on which must be applied based on the weight of animal being treated.

Dosage Table			
Body Weight (lb)	Dose (mL)	Body Weight (kg)	Dose (mL)
66 (45)	4	330 (150)	15
110 (80)	6	440 (200)	20
150 (90)	6	550 (250)	25
154 (70)	7	660 (300)	30
178 (80)	8	770 (350)	35
188 (90)	8	880 (400)	40
220 (100)	10	990 (450)	45
242 (110)	11	1100 (500)	50
264 (120)	12	1310 (550)	55
286 (130)	13	1520 (600)	60
308 (140)	14	1430 (650)	65

* Do not underdose. Ensure each animal receives a complete dose based on a current body weight. Underdosing may result in ineffective treatment, and encourage the development of parasite resistance.

For the Treatment of Infections and Infestations Due to Internal and External Parasites of Beef and Dairy Cattle

CYDECTIN™

moxidectin

Pour-On for
Beef and Dairy Cattle

Antiparasitic

Contains 5 mg moxidectin/mL

Zero Slaughter Withdrawal.
Not for Use in Veal Calves.
Zero Milk Discard.

Treats 400 550 lb cattle

For the Treatment of Infections and Infestations Due to Internal and External Parasites of Beef and Dairy Cattle

Contents 10 L (2.64 Gallons)

Approved by FDA under NADA # 141-099

Elanco™

CYDECTIN™

moxidectin

CYDECTIN (moxidectin) Pour-On when applied at the recommended dose level of 0.5 mg 2.2 lb (0.5 mg/kg) body weight is effective in the treatment and control of the following internal (stomach and four-stage larvae L3) and external parasites:

Gastrointestinal Roundworms	Adult and L ₁ (including inhibited larvae)	Cattle Grubs	Hypoderma dent Hypoderma thraxton
Chastlegia (cutting)	Adult and L ₁	Mites	Demodex bovis Phoretix ovis (Phoretix cornutus var. bovis)
Haemonchus placei	Adult and L ₁	Lice	Limnephthys vituli Haematopinus eurysternus Solenopotes capillatus Bovicola (Chamaetia) bovis
Trichostrongylus axei	Adult and L ₁	Horn Flies	Haematobia irritans
Trichostrongylus colubriformis	Adult and L ₁		
Cyathostomum punctatum	Adult		
Cyathostomum junceum	Adult and L ₁		
Cyathostomum quadratum	Adult		
Cyathostomum armatulum	Adult		
Bombus terrestris	Adult		
Nematobius irritans	Adult and L ₁		
Onchophanes ruficornis	Adult and L ₁		
Longhorned	Adult and L ₁		
Diplosoma vivax	Adult and L ₁		

CYDECTIN Pour-On has been proven to effectively control infections and protect from infection with Haemonchus placei for 14 days after treatment. Cyathostomum ruficornis and Chastlegia coverage for 28 days after treatment, and Diplosoma vivax for 41 days after treatment. Efficacy factor 80% was observed in some Chastlegia laboratory persistence activity studies at 28 and 28 days posttreatment.

For most effective external parasite control, CYDECTIN Pour-On should be applied to all cattle in the herd. Cattle entering the herd following this administration should be treated prior to introduction. Contact your veterinarian or a livestock entomologist for the most appropriate time to apply CYDECTIN Pour-On to your location to effectively control horn flies and external parasites. CYDECTIN Pour-On provides seven days of persistent activity against horn flies. For optimal control of horn flies, the product should be used as part of an integrated control program utilizing other methods to provide extended control.

Storage: Store product at or below room temperature. Avoid prolonged exposure above 50°C (122°F). If product becomes frozen, thaw completely and shake well prior to use.

Disposal: Dispose of containers in an approved landfill or by incineration.

See package insert for complete administration and dosage information.

Product information at <http://www.elanco.com/products>
Restricted Drug (CA) - Use Only As Directed

#141-099-0001
Moxidectin 5 mg/mL
10 L (2.64 Gallons)
Made in China

Elanco™

**CYDECTIN™
moxidectin**

**Pour-On for
Beef and Dairy Cattle**

Antiparasitic

Contains 5 mg moxidectin/mL

Zero Slaughter Withdrawal.

**Not for Use in Veal Calves.
Zero Milk Discard.**

Treats 400 550 lb cattle

**For the Treatment of Infections
and Infestations Due to
Internal and External Parasites
of Beef and Dairy Cattle**

Contents 10 L (2.64 Gallons)

Approved by FDA under NADA # 141-099

Elanco™

Pour-On for Beef and Dairy Cattle
moxidectin
CYDECTIN™
moxidectin

CYDECTIN™
moxidectin

For the Treatment of Infections and Infestations
Due to Internal and External Parasites of
Beef and Dairy Cattle

CYDECTIN™
moxidectin

**Pour-On for
Beef and Dairy Cattle**

Antiparasitic

Contains 5 mg moxidectin/mL

**Zero Slaughter Withdrawal,
Not for Use in Veal Calves,
Zero Milk Discard.**

Treats 400 550 lb cattle

For the Treatment of Infections
and Infestations Due to
Internal and External Parasites
of Beef and Dairy Cattle

Contents 10 L (2.64 Gallons)

Elanco™

CYDECTIN™
moxidectin

CYDECTIN™
moxidectin

Antiparasitic

Contains 5 mg moxidectin/mL

**Zero Slaughter Withdrawal,
Not for Use in Veal Calves,
Zero Milk Discard.**

Treats 400 550 lb cattle

For the Treatment of Infections
and Infestations Due to
Internal and External Parasites
of Beef and Dairy Cattle

Contents 10 L (2.64 Gallons)

Elanco™

**CYDECTIN™
moxidectin**

Pour-On for Beef and Dairy Cattle

Antiparasitic

Contains 5 mg moxidectin/mL

Treats 400 550 lb cattle

For the Treatment of Infections and Infestations Due to Internal and External Parasites of Beef and Dairy Cattle

**CYDECTIN™
moxidectin**

Pour-On for Beef and Dairy Cattle

Antiparasitic

Contains 5 mg moxidectin/mL

Treats 400 550 lb cattle

**For the Treatment of Infections and Infestations Due to
Internal and External Parasites of Beef and Dairy Cattle**

Warning: Not for Use in Humans. Keep this and all drugs out of the reach of children. This product can cause irritation to skin, eyes, or mucous membranes. In case of accidental skin contact and/or clothing contamination, wash skin thoroughly with soap and water and launder clothing with detergent. In case of accidental eye contact, flush eyes with copious amounts of water. When direct inhalation occurs, cleanse large and respiratory passages with fresh air. In case of ingestion do not induce vomiting and seek medical attention immediately. If irritation or any other symptoms attributable to exposure to this product persists, consult your physician.

For product questions, to report adverse reactions, or for a copy of the Safety Data Sheet (SDS), call Elanco Product & Veterinary Support at 1-800-428-4441.

Residue Warning: When used according to label directions, neither a pre-slaughter drug withdrawal period nor a milk discard time are required. Milk and milk from cattle treated with CYDECTIN moxidectin Pour-On may be used for human consumption at any time following treatment. A withdrawal period has been established for this product in pre-empting calves. Do not use in calves to be processed for veal.

OTHER WARNINGS

- Parasite resistance may develop to any dewormer, and has been reported for most classes of dewormers.
- Treatment with a dewormer used in conjunction with parasite management practices appropriate to the geographic area and the animal(s) to be treated may slow the development of parasite resistance.
- Facial irritations or other diagnostic tests and parasite management history should be used to determine if the product is appropriate for the herd/flock, prior to the use of any dewormer. Following the use of any dewormer, effectiveness of treatment should be monitored (for example, with the use of a fecal egg count reduction test or another appropriate method).
- A dewormer's efficacy effectiveness over time as calculated by fecal egg count reduction tests may indicate the development of resistance to the dewormer administered. Your parasite management plan should be adjusted accordingly based on regular monitoring.

Precautions: For external use only. Do not apply to areas of skin with merge sores, skin lesions, mud or sores. CYDECTIN Pour-On is not recommended for use in species other than cattle. This product has been formulated specifically for topical use in cattle and should not be used on other animal species or by other routes of administration as adverse reactions may occur.

Environmental Safety: Studies indicate that when moxidectin comes in contact with the soil it readily and tightly binds to the soil and becomes inactive. Free moxidectin may adsorb to soil and other organic organisms. Do not contaminate water by direct application or by improper disposal of drug containers.

Dosage Table

Body Weight (lb)	Dose (mL)	Body Weight (kg)	Dose (mL)
88 (40)	4	39.9 (18.1)	15
110 (50)	5	49.9 (22.6)	20
132 (60)	6	59.9 (27.2)	25
154 (70)	7	69.9 (31.7)	30
176 (80)	8	79.9 (36.2)	35
198 (90)	9	89.9 (40.8)	40
220 (100)	10	99.9 (45.3)	45
242 (110)	11	109.9 (50.0)	50
264 (120)	12	119.9 (54.5)	55
286 (130)	13	129.9 (59.0)	60
308 (140)	14	139.9 (63.5)	65

* Do not underdeworm. Treat each animal according to complete dose based on a current body weight. Underdeworming may result in ineffective treatment, and encourage the development of parasite resistance.

CYDECTIN™ moxidectin

CYDECTIN (moxidectin) Pour-On when applied at the recommended dose level of 5 mg/2.2 lb (0.5 mg/kg) body weight is effective in the treatment and control of the following internal (bitst and fourth-stage larvae [L₄]) and external parasites:

 Gastrointestinal Nematodes	Cattle Grubs
Ostertagia ostertagi - Adult and L ₄	Hypoderma bovis
Haemonchus placei - (including imbedded larvae)	Hypoderma lineatum
Trichostrongylus axei - Adult and L ₄	Mites
Trichostrongylus colubriformis - Adult and L ₄	Chorioptes bovis
Cyathostomum sp. - Adult and L ₄	Phlebotomus spp.
Cyathostomum punctatum - Adult	(Phlebotomus variabilis var. bovis)
Cyathostomum sp. - Adult	Lice
Cyathostomum sp. - Adult	Lernaeus spp.
Bursaphelenchus xiphioides - Adult	Haematopinus eurysternus
Bursaphelenchus xiphioides - Adult and L ₄	Solenopotes capillatus
Haematopinus eurysternus - Adult and L ₄	Bovicola (Demodex) bovis
Onchopharyngodon muscicola - Adult and L ₄	Head Fleas
	Haematobia irritans

Lungworms

Dicrocoelium immitis - Adult and L₄

CYDECTIN Pour-On has been proven to effectively control infections and protect from reinfection with Haematobia placei for 14 days after treatment, Onchopharyngodon muscicola and Ostertagia ostertagi for 28 days after treatment, and Dicrocoelium immitis for 42 days after treatment. Efficacy below 90% was observed in some Ostertagia challenge persistent activity studies at 21 and 28 days posttreatment.

For most effective external parasite control, CYDECTIN Pour-On should be applied to all cattle in the herd. Cattle entering the herd following this administration should be treated prior to introduction. Consult your veterinarian or a livestock entomologist for the most appropriate time to apply CYDECTIN Pour-On in your location to effectively control horn flies and external parasites. CYDECTIN Pour-On provides seven days of persistent activity against horn flies. For optimal control of horn flies, the product should be used as part of an integrated control program utilizing other methods to provide extended control.

Storage: Store product at or below room temperature. Avoid prolonged exposure above 25°C (77°F). If product becomes frozen, then completely and shake well prior to use.

Disposal: Dispose of containers in an approved landfill or by incineration. See package insert for complete administration and dosage information.

Patent information at <http://www.elanco.com>
 Restricted Drug (CD) - Use Only As Directed

014000020

Made in the USA
 Manufactured by Elanco, Inc. 20140101
 014000020

Elanco™

Contents 10 L (2.64 Gallons)

Patent information at <http://www.elancopatents.com>

Restricted Drug (CA) - Use Only As Directed

Approved by FDA under NADA # 141-099.

Manufactured for:

Elanco US Inc.

Greenfield, IN 46140 U.S.A.

YL600403X

Elanco™

CYDECTIN™

moxidectin
Pour-On for Beef and Dairy Cattle
Antiparasitic

Contains 5 mg moxidectin/mL

Treats 400 550 lb cattle

For the Treatment of Infections and Infestations Due to Internal and External Parasites of Beef and Dairy Cattle

Dosage: CYDECTIN (moxidectin) Pour-On is a ready-to-use topical formulation intended for direct application to the hair and skin in a narrow strip extending along the top of the back from the withers to the tailhead. Due to the angular topline characteristic of most dairy breeds, it is recommended that all pour-on products be applied slowly to dairy cows. Apply to healthy skin avoiding any mange scabs, skin lesions, mud or manure. Treated cattle can be easily recognized by the characteristic purple color, which will remain for a short period of time after treatment. The recommended rate of administration is 1 mL for each 22 lb (10 kg) body weight which provides 0.5 mg moxidectin for each 2.2 lb (0.5 mg/kg) body weight.

- Do not underdose. Ensure each animal receives a complete dose based on a current body weight. Underdosing may result in ineffective treatment, and encourage the development of parasite resistance.

Warning: Not For Use In Humans. Keep this and all drugs out of the reach of children. This product can cause irritation to skin, eyes, or mucous membranes. In case of accidental skin contact and/or clothing contamination, wash skin thoroughly with soap and water and launder clothing with detergent. In case of accidental eye contact, flush eyes with copious amounts of water. When direct inhalation occurs, cleanse lungs and respiratory passages with fresh air. In case of ingestion do not induce vomiting and seek medical attention immediately. If irritation or any other symptom attributable to exposure to this product persists, consult your physician.

Residue Warning: When used according to label directions, neither a pre-slaughter drug withdrawal period nor a milk discard time are required. Meat and milk from cattle treated with CYDECTIN Pour-On may be used for human consumption at any time following treatment. A withdrawal period has not been established for this product in pre-ruminating calves. Do not use in calves to be processed for veal.

For product questions, to report adverse reactions, or for a copy of the Safety Data Sheet (SDS), call Elanco Product & Veterinary Support at 1-800-428-4441.

Patent information at <http://www.elancopatents.com>
Restricted Drug (CA) - Use Only As Directed

Contents 10 L (2.64 Gallons)

OTHER WARNINGS

- Parasite resistance may develop to any dewormer, and has been reported for most classes of dewormers.
- Treatment with a dewormer used in conjunction with parasite management practices appropriate to the geographic area and the animal(s) to be treated may slow the development of parasite resistance.
- Fecal examinations or other diagnostic tests and parasite management history should be used to determine if the product is appropriate for the herd/flock, prior to the use of any dewormer. Following the use of any dewormer, effectiveness of treatment should be monitored (for example, with the use of a fecal egg count reduction test or another appropriate method).
- A decrease in a drug's effectiveness over time as calculated by fecal egg count reduction tests may indicate the development of resistance to the dewormer administered. Your parasite management plan should be adjusted accordingly based on regular monitoring.

Precautions: For external use in cattle only.


Environmental Safety: Studies indicate that when moxidectin comes in contact with the soil it readily and tightly binds to the soil and becomes inactive. Free moxidectin may adversely affect fish and certain aquatic organisms. Do not contaminate water by direct application or by improper disposal of drug containers.

Storage: Store product at or below room temperature. Avoid prolonged exposure above 25°C (77°F). If product becomes frozen, thaw completely and shake well prior to use.

Disposal: Dispose of containers in an approved landfill or by incineration.

See package insert for complete administration and dosage information.


Approved by FDA under NADA # 141-099.
Manufactured for:
Elanco US Inc
Greenfield, IN 46140 U.S.A.
YL600403X



7 24089 11406 8

c2k2

Lot:
Exp:



CYDECTIN

moxidectin solution

Product Information

Product Type	OTC ANIMAL DRUG	Item Code (Source)	NDC:58198-0030
Route of Administration	TOPICAL		

Active Ingredient/Active Moiety

Ingredient Name	Basis of Strength	Strength
moxidectin (UNII: NGU5H31YO9) (moxidectin - UNII:NGU5H31YO9)	moxidectin	5 mg in 1 mL

Packaging

#	Item Code	Package Description	Marketing Start Date	Marketing End Date
1	NDC:58198-0030-1	1 in 1 CARTON		
1		500 mL in 1 BOTTLE, PLASTIC		
2	NDC:58198-0030-2	1 in 1 CARTON		
2		1000 mL in 1 BOTTLE, PLASTIC		
3	NDC:58198-0030-3	1 in 1 CARTON		
3		2500 mL in 1 BOTTLE, PLASTIC		
4	NDC:58198-0030-4	1 in 1 CARTON		
4		5000 mL in 1 BOTTLE, PLASTIC		
5	NDC:58198-0030-5	1 in 1 CARTON		
5		10000 mL in 1 BOTTLE, PLASTIC		

Marketing Information

Marketing Category	Application Number or Monograph Citation	Marketing Start Date	Marketing End Date
NADA	NADA141099	07/01/2017	

Labeler - Elanco US Inc. (966985624)