

**SYNOVEX ONE- trenbolone acetate and estradiol benzoate implant**  
**Zoetis Inc.**

-----  
**SYNOVEX® ONE**

**FEEDLOT**

**(trenbolone and estradiol extended release implant)**

**200 mg trenbolone acetate and 28 mg estradiol benzoate per implant**

**SUBCUTANEOUS IMPLANTS FOR STEERS AND HEIFERS FED IN CONFINEMENT FOR  
SLAUGHTER**

NADA 141-348, Approved by FDA

SYNOVEX ONE Feedlot (trenbolone and estradiol extended release implant) is a growth promoting implant containing 200 mg of trenbolone acetate and 28 mg of estradiol benzoate with a porous polymer film coating that extends the pay-out period of the final formulation up to 200 days. Each implant consists of 8 pellets. Ten implants are provided in each cartridge.

**INDICATIONS FOR USE:** For increased rate of weight gain and improved feed efficiency for up to 200 days in steers and heifers fed in confinement for slaughter.

Do not use in veal calves. Effectiveness and animal safety in veal calves have not been established.

Not for use in dairy or beef replacement heifers.

**NOTE:** Studies have demonstrated that the administration of SYNOVEX ONE Feedlot can result in decreased marbling scores when compared to non-implanted steers and heifers.

**DOSAGE:** One implant (8 pellets), containing 200 mg of trenbolone acetate and 28 mg of estradiol benzoate, is administered to each steer or heifer by subcutaneous implantation in the middle one-third of the ear.

The ten-dose cartridge of SYNOVEX ONE Feedlot is designed to be used exclusively with a Synovex SX10 Gun.

**WITHDRAWAL PERIOD:** No withdrawal period is required when used according to labeling.

A withdrawal period has not been established for this product in pre-ruminating calves. Do not use in calves to be processed for veal.

Implant pellets in ear only. Any other location is a violation of Federal law. Do not attempt salvage of implanted site for human or animal food.

**NOT FOR USE IN HUMANS.**

**FOR ANIMAL USE ONLY.**

**ANIMAL SAFETY WARNING:** Bulling, vaginal and rectal prolapse, udder development, ventral edema and elevated tailheads have occasionally been reported in heifers administered SYNOVEX ONE Feedlot implants.

**DIRECTIONS:** Implant complete contents of one cartridge cell per steer or heifer. Approved implantation technique is fully described in the fold-out carton section.

**NOTE:** Never sacrifice careful, clean technique for speed of implantation.

**STORAGE:** Store unopened product at controlled room temperature 20°-25°C (68°-77°F) with excursions between 15°-30°C (59°-86°F). Avoid excessive heat and humidity. Use product before the expiration date on the label.

Once the pouch is opened, unused product may be stored in the end-folded pouch (away from light) for

up to six months under refrigerated conditions 2°-8°C (36°-47°F) or at room temperature 20°-25°C (68°-77°F) with excursions between 15°-30°C (59°-86°F) for up to one month.

**DISPOSAL:** SYNOVEX ONE Feedlot waste materials should be disposed of according to prescribed Federal, State, and Local guidelines.

Manufactured By A Non-Sterilizing Process

Keep this and all drugs out of the reach of children.

Restricted Drug (California)—Use Only As Directed.

See top of pouch for lot and expiration date.

Distributed by:

Zoetis Inc.

Kalamazoo, MI 49007

6212A

13797701

**NET CONTENTS:** 10 cartridges

Each cartridge contains 10 implants (100 implants total)

**PRINCIPAL DISPLAY PANEL - 10 Cartridge Implant Foil Pouch**

**SYNOVEX® ONE**

**FEEDLOT**

**(trenbolone and estradiol extended release implant)**

**200 mg trenbolone acetate and 28 mg estradiol benzoate per implant**

**SUBCUTANEOUS IMPLANTS FOR STEERS AND HEIFERS FED IN CONFINEMENT FOR  
SLAUGHTER**

*zoetis*

**NET CONTENTS:** 10 cartridges

Each cartridge contains 10 implants (100 implants total)

**SYNOVEX<sup>®</sup> ONE**  
**FEEDLOT**  
(trenbolone and estradiol extended release implant)  
200 mg trenbolone acetate and 28 mg estradiol benzoate per implant

SUBCUTANEOUS IMPLANTS FOR STEERS AND HEIFERS FED IN CONFINEMENT FOR SLAUGHTER

NADA 141-348, Approved by FDA

SYNOVEX ONE Feedlot (trenbolone and estradiol extended release implant) is a growth promoting implant containing 200 mg of trenbolone acetate and 28 mg of estradiol benzoate with a porous polymer film coating that extends the pay-out period of the final formulation up to 200 days. Each implant consists of 8 pellets. Ten implants are provided in each cartridge.

**INDICATIONS FOR USE:** For increased rate of weight gain and improved feed efficiency for up to 200 days in steers and heifers fed in confinement for slaughter.

Do not use in veal calves. Effectiveness and animal safety in veal calves have not been established.

Not for use in dairy or beef replacement heifers.

**NOTE:** Studies have demonstrated that the administration of SYNOVEX ONE Feedlot can result in decreased marbling scores when compared to non-implanted steers and heifers.

**DOSAGE:** One implant (8 pellets), containing 200 mg of trenbolone acetate and 28 mg of estradiol benzoate, is administered to each steer or heifer by subcutaneous implantation in the middle one-third of the ear.

The ten-dose cartridge of SYNOVEX ONE Feedlot is designed to be used exclusively with a Synovex SX10 Gun.

**WITHDRAWAL PERIOD:** No withdrawal period is required when used according to labeling. A withdrawal period has not been established for this product in pre-ruminating calves. Do not use in calves to be processed for veal. Implant pellets in ear only. Any other location is a violation of Federal law. Do not attempt salvage of implanted site for human or animal food.

**NOT FOR USE IN HUMANS.  
FOR ANIMAL USE ONLY.**

**ANIMAL SAFETY WARNING:** Bulling, vaginal and rectal prolapse, udder development, ventral edema and elevated tailheads have occasionally been reported in heifers administered SYNOVEX ONE Feedlot implants.

**DIRECTIONS:** Implant complete contents of one cartridge cell per steer or heifer. Approved implantation technique is fully described in the fold-out carton section.

**NOTE: Never sacrifice careful, clean technique for speed of implantation.**

**STORAGE:** Store unopened product at controlled room temperature 20°-25°C (68°-77°F) with excursions between 15°-30°C (59°-86°F). Avoid excessive heat and humidity. Use product before the expiration date on the label.

Once the pouch is opened, unused product may be stored in the end-folded pouch (away from light) for up to six months under refrigerated conditions 2°-8°C (36°-47°F) or at room temperature 20°-25°C (68°-77°F) with excursions between 15°-30°C (59°-86°F) for up to one month.

**DISPOSAL:** SYNOVEX ONE Feedlot waste materials should be disposed of according to prescribed Federal, State, and Local guidelines.

Manufactured By A Non-Sterilizing Process

Keep this and all drugs out of the reach of children.

Restricted Drug (California)—Use Only As Directed.

See top of pouch for lot and expiration date.

**zoetis**

Distributed by:  
Zoetis Inc.  
Kalamazoo, MI 49007

6212A  
13797701

**zoetis**

**NET CONTENTS: 10 cartridges**  
Each cartridge contains 10 implants (100 implants total)

**PRINCIPAL DISPLAY PANEL - 10 Cartridge Implant Carton**

**SYNOVEX<sup>®</sup> ONE  
FEEDLOT**

**(trenbolone and estradiol extended release implant)**

**200 mg trenbolone acetate and 28 mg estradiol benzoate per implant**

**SUBCUTANEOUS IMPLANTS FOR STEERS AND HEIFERS FED IN CONFINEMENT FOR SLAUGHTER**

**NOT FOR USE IN HUMANS.  
FOR ANIMAL USE ONLY.**

**INDICATIONS FOR USE:** For increased rate of weight gain and improved feed efficiency for up to 200 days in steers and heifers fed in confinement for slaughter.

Do not use in veal calves. Effectiveness and animal safety in veal calves have not been established.

Not for use in dairy or beef replacement heifers.

**NET CONTENTS:** One pouch contains ten 10-dose cartridges (100 implants).

Manufactured By A  
Non-Sterilizing Process

Keep this and all drugs out of the reach of children.

Restricted Drug (California)—  
Use Only As Directed.

**IMPORTANT:**

Read ALL sides of carton

NADA 141-348, Approved by FDA

*zoetis*

**NET CONTENTS: 10 CARTRIDGES**

Each Cartridge Contains 10 implants (100 implants total)

# SYNOVEX<sup>®</sup> ONE FEEDLOT

(trenbolone and estradiol extended release implant)  
200 mg trenbolone acetate and 28 mg estradiol benzoate per implant

SUBCUTANEOUS IMPLANTS FOR STEERS AND HEIFERS FED IN CONFINEMENT FOR SLAUGHTER

**NOT FOR USE IN HUMANS.  
FOR ANIMAL USE ONLY.**

**INDICATIONS FOR USE:** For increased rate of weight gain and improved feed efficiency for up to 200 days in steers and heifers fed in confinement for slaughter.

Do not use in veal calves. Effectiveness and animal safety in veal calves have not been established.

Not for use in dairy or beef replacement heifers.

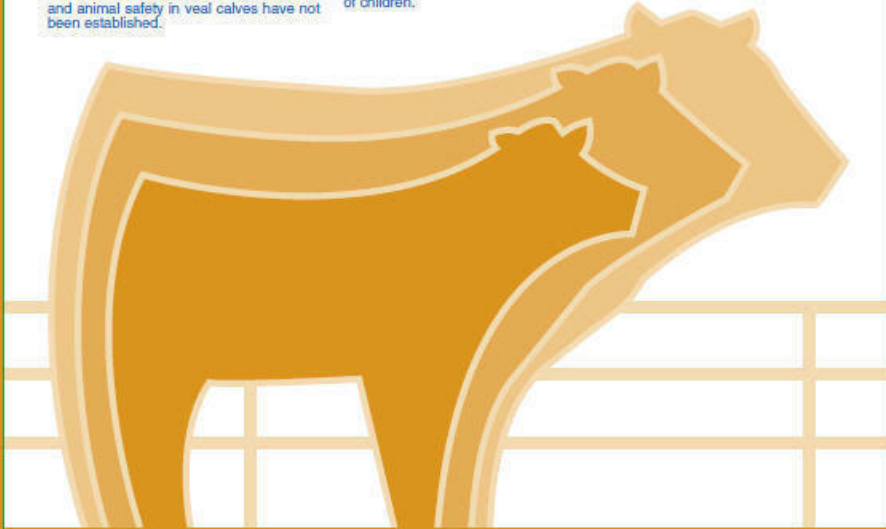
**NET CONTENTS:** One pouch contains ten 10-dose cartridges (100 implants).

Manufactured By A Non-Sterilizing Process

Keep this and all drugs out of the reach of children.

Restricted Drug (California)—Use Only As Directed.

**IMPORTANT:**  
Read ALL sides of carton  
NADA 141-348, Approved by FDA



zoetis

**NET CONTENTS: 10 CARTRIDGES**  
Each Cartridge Contains 10 Implants (100 implants total)

# SYNOVEX<sup>®</sup> ONE FEEDLOT

(trenbolone and estradiol extended release implant)

200 mg trenbolone acetate and 28 mg estradiol benzoate per implant  
SUBCUTANEOUS IMPLANTS FOR STEERS AND HEIFERS FED IN CONFINEMENT FOR SLAUGHTER

# SYNOVEX<sup>®</sup> ONE FEEDLOT

(trenbolone and estradiol extended release implant)

SYNOVEX<sup>®</sup> ONE  
FEEDLOT

(trenbolone and estradiol extended release implant)

200 mg trenbolone acetate and 28 mg estradiol benzoate per implant  
SUBCUTANEOUS IMPLANTS FOR STEERS AND HEIFERS FED IN CONFINEMENT FOR SLAUGHTER

SYNOVEX<sup>®</sup> ONE  
FEEDLOT

(trenbolone and estradiol extended release implant)

200 mg trenbolone acetate and 28 mg estradiol benzoate per implant  
SUBCUTANEOUS IMPLANTS FOR STEERS AND HEIFERS FED IN CONFINEMENT FOR SLAUGHTER



# (trenbolone and estradiol extended release implant)

200 mg trenbolone acetate and 28 mg estradiol benzoate per implant

## SUBCUTANEOUS IMPLANTS FOR STEERS AND HEIFERS FED IN CONFINEMENT FOR SLAUGHTER

SYNOVEX ONE Feedlot (trenbolone and estradiol extended release implant) is a growth promoting implant containing 200 mg of trenbolone acetate and 28 mg of estradiol benzoate with a porous polymer film coating that extends the pay-out period of the final formulation up to 200 days. Each implant consists of 8 pellets. Ten implants are provided in each cartridge.

**NOTE:** Studies have demonstrated that the administration of SYNOVEX ONE Feedlot can result in decreased marbling scores when compared to non-implanted steers and heifers.

**DOSAGE:** One implant (8 pellets), containing 200 mg of trenbolone acetate and 28 mg of estradiol benzoate, is administered to each steer or heifer by subcutaneous implantation in the middle one-third of the ear.

The ten-dose cartridge of SYNOVEX ONE Feedlot is designed to be used exclusively with a Synovex SX10 Gun.

**WITHDRAWAL PERIOD:** No withdrawal period is required when used according to labeling.

A withdrawal period has not been established for this product in pre-nursing calves. Do not use in calves to be processed for veal.

Implant pellets in ear only. Any other location is in violation of Federal law. Do not attempt salvage of implanted site for human or animal food.

### NOT FOR USE IN HUMANS.

### FOR ANIMAL USE ONLY.

**ANIMAL SAFETY WARNING:** Bulling, vaginal and rectal prolapse, udder development, ventral edema and elevated tailheads have occasionally been reported in heifers administered SYNOVEX ONE Feedlot implants.

**DIRECTIONS:** Implant complete contents of one cartridge cell per steer or heifer. Approved implantation technique is fully described in the fold-out carton section.

**NOTE: Never sacrifice careful, clean technique for speed of implantation.**

**STORAGE:** Store unopened product at controlled room temperature 20°-25°C (68°-77°F) with excursions between 15°-30°C (59°-86°F). Avoid excessive heat and humidity. Use product before the expiration date on the label.

Once the pouch is opened, unused product may be stored in the end-folded pouch (away from light) for up to six months under refrigerated conditions 2°-8°C (36°-47°F) or at room temperature 20°-25°C (68°-77°F) with excursions between 15°-30°C (59°-86°F) for up to one month.

**DISPOSAL:** SYNOVEX ONE Feedlot waste materials should be disposed of according to prescribed Federal, State, and Local guidelines.

**zoetis**

Distributed by:  
Zoetis Inc.  
Kalamazoo, MI 49007

6213A  
13797601

Open here for implanting directions

**zoetis**

**NET CONTENTS: 10 CARTRIDGES**  
Each Cartridge Contains 10 Implants (100 implants total)

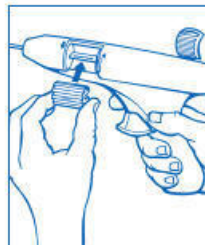


Exp. Date:

Lot:

Glue Spot

### STEP 1 Loading The SX10 Gun



Load the SX10 gun following the directions outlined in the instruction manual accompanying each SX10 gun.

### STEP 2 Restraint



The animal must be confined in a restraint mechanism (squeeze chute or head gate). The implant site on the back of the ear should be prepared by scrubbing with a firm bristled brush that has been soaked in a germicidal solution.

**Note:** If implanting horned cattle, greater safety is provided when the head is controlled by the use of a bull lead (nose tongs).

### STEP 3 Implant Site



Divide the ear into three imaginary sections as illustrated. The implanted pellets should be deposited in the center one-third of the ear as shown. To accomplish this, the SX10 gun needle should be inserted in the outer one-third of the ear as

### STEP 4 Insert Needle



Grasp the ear with one hand. Holding the SX10 gun firmly with the other hand, penetrate the skin at the point shown by the "X". Thrust the needle under the skin taking care not to penetrate the cartilage. Ease the SX10 gun forward (toward

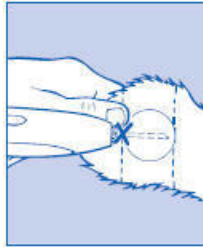


indicated by the "X" in the illustration. Implanting too close to the head may cause abnormal sexual behavior. Care should be taken to avoid severing the major arteries of the ear.



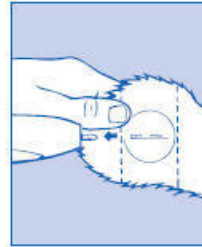
the base of the ear) until the full needle length is beneath the skin.

### STEP 5 Pellet Implantation



When the needle is completely inserted, activate the instrument by squeezing the trigger completely. Do not withdraw the needle, but allow the automatic needle retractor to release the pellets. This will allow the pellets to be deposited in a straight line in the path of the retracted needle.

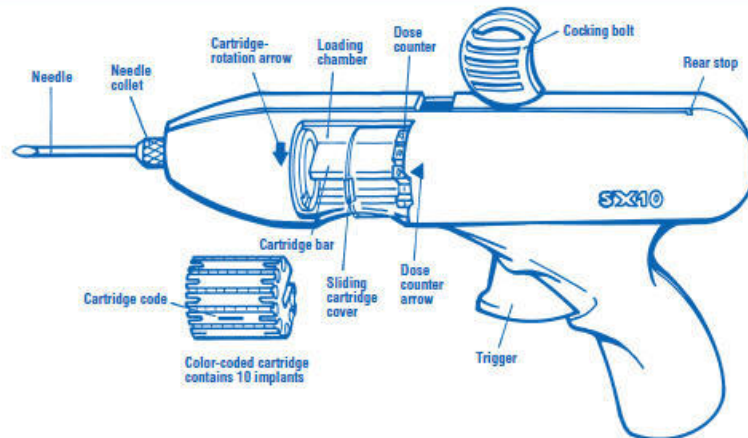
### STEP 6 Inspection



Check the implant site. If properly administered, the implants should lie in a straight line under the skin. Re-cock the gun by grasping the barrel with your left hand and lifting the cocking bolt with your right hand. Fully retract the bolt to the rear of the device. Then, return the bolt forward to its locked position. Disinfect the SX10 gun needle in a germicidal solution. The SX10 gun is now ready to implant the next animal.



## SYNOVEX® SX10 Gun



**SYNOVEX ONE**  
FEEDLOT  
(trenbolone and estradiol extended release implant)  
200 mg trenbolone acetate and 25 mg estradiol benzoate per implant

### HOW TO IMPLANT

For use with the Synovex SX10 Gun

Study the following instructions carefully, then proceed step by step, until the technique becomes routine. Many head can be implanted per hour by an experienced team, one member of which should be assigned to do nothing but the implantation. Care should be taken to insure the hands of the person administering the implant are clean and only sanitary instruments are used.



### INDICATIONS FOR USE

For increased rate of weight gain and improved feed efficiency for up to 200 days in steers and heifers fed in confinement for slaughter.

Do not use in veal calves. Effectiveness and animal safety in veal calves have not been established.

Not for use in dairy or beef replacement heifers.

### STORAGE

Store unopened product at controlled room temperature 20°-25°C (68°-77°F) with excursions between 15°-30°C (59°-86°F). Avoid excessive heat and humidity.

Use product before the expiration date printed on the label.

Once the pouch is opened, unused product may be stored in the end-folded pouch (away from light) for up to six months under refrigerated conditions 2°-8°C (36°-47°F) or at room temperature 20°-25°C (68°-77°F) with excursions between 15°-30°C (59°-86°F) for up to one month.

### NOT FOR USE IN HUMANS. FOR ANIMAL USE ONLY.

### WITHDRAWAL PERIOD

No withdrawal period is required when used according to labeling.

A withdrawal period has not been established for this product in pre-ruminating calves. Do not use in calves to be processed for veal.

Implant pellets in ear only. Any other location is a violation of Federal law. Do not attempt salvage of implanted site for human or animal food.

Keep this and all drugs out of the reach of children.

Restricted Drug (California)—Use Only as Directed.

## SYNOVEX ONE

trenbolone acetate and estradiol benzoate implant

**Product Information**

<b>Product Type</b>	OTC ANIMAL DRUG	<b>Item Code (Source)</b>	NDC:54771-2010
<b>Route of Administration</b>	SUBCUTANEOUS		

**Active Ingredient/Active Moiety**

<b>Ingredient Name</b>	<b>Basis of Strength</b>	<b>Strength</b>
<b>trenbolone acetate</b> (UNII: RUD5Y4SV0S) (trenbolone - UNII:P53R4420TR)	trenbolone acetate	200 mg
<b>estradiol benzoate</b> (UNII: 1S4CJB5ZGN) (estradiol - UNII:4TI98Z838E)	estradiol benzoate	28 mg

**Packaging**

<b>#</b>	<b>Item Code</b>	<b>Package Description</b>	<b>Marketing Start Date</b>	<b>Marketing End Date</b>
1	NDC:54771-2010-1	10 in 1 CARTON		
1		10 in 1 CARTRIDGE		

**Marketing Information**

<b>Marketing Category</b>	<b>Application Number or Monograph Citation</b>	<b>Marketing Start Date</b>	<b>Marketing End Date</b>
NADA	NADA141348	06/10/2014	

**Labeler** - Zoetis Inc. (828851555)**Establishment**

<b>Name</b>	<b>Address</b>	<b>ID/FEI</b>	<b>Business Operations</b>
Boehringer Ingelheim Vetmedica, Inc.		832511005	MANUFACTURE

**Establishment**

<b>Name</b>	<b>Address</b>	<b>ID/FEI</b>	<b>Business Operations</b>
Industrias Químicas Falcón de México, S.A. de C.V. (DR. REDDY'S MEXICO)		812915445	API MANUFACTURE

Revised: 9/2014

Zoetis Inc.