

**RE-NUTRIV ULTIMATE LIFTING MAKEUP SPF15- titanium dioxide cream**  
**ESTEE LAUDER INC**

*Disclaimer: Most OTC drugs are not reviewed and approved by FDA, however they may be marketed if they comply with applicable regulations and policies. FDA has not evaluated whether this product complies.*

-----

**RE-NUTRIV ULTIMATE LIFTING CREME MAKEUP SPF15**

***Drug Facts***

**Active ingredient**

Titanium Dioxide 1.40%

**Purpose**

Sunscreen

**Use**

helps prevent sunburn

**Warnings**

**For external use only**

**Do not use** on damaged or broken skin

**When using this product** keep out of eyes. Rinse with water to remove.

**Stop use and ask a doctor if** rash occurs

**Keep out of reach of children.** If product is swallowed, get medical help or contact a Poison Control Center right away.

**Directions**

For sunscreen use:

- apply liberally 15 minutes before sun exposure
- reapply at least every two hours
- use a water resistant sunscreen if swimming or sweating
- **Sun Protection Measures.** Spending time in the sun increases your risk of skin cancer and early skin aging. To decrease this risk, regularly use a sunscreen with a Broad Spectrum SPF value of 15 or higher and other sun protection measures including:
  - limit time in the sun, especially from 10 a.m. – 2 p.m.
  - wear long-sleeved shirts, pants, hats and sunglasses
- children under 6 months of age: ask a doctor

**Inactive ingredients**

water/aqua/eau • cyclopentasiloxane • butylene glycol • phenyl trimethicone • cetyl dimethicone • dimethicone • pentaerythrityl tetraethylhexanoate • octyldodecyl stearoyl stearate • peg/ppg-18/18 dimethicone • cetyl peg/ppg-10/1 dimethicone • magnesium sulfate • ethylhexyl palmitate • astrocaryum murumuru butter • pyrus malus (apple) fruit extract • silybum marianum (lady's thistle) extract • acetyl

hexapeptide-8 • oryza sativa (rice) bran extract • pisum sativum (pea) extract • aminopropyl ascorbyl phosphate • tocopheryl acetate • palmitoyl oligopeptide • caffeine • linoleic acid • cholesterol • quaternium-90 bentonite • acetyl carnitine hcl • ascorbyl palmitate • disodium nadh • ethylhexylglycerin • 7-dehydrocholesterol • trimethylsiloxysilicate • tribehenin • phytosteryl/octyldodecyl lauroyl glutamate • methicone • zinc stearate • sorbitan isostearate • laureth-7 • sucrose • trifluoromethyl c1-4 alkyl dimethicone • glyceryl polymethacrylate • hydrolyzed fish (pisces) collagen • propylene carbonate • caprylyl glycol • sodium hyaluronate • peg-8 • hydrogenated lecithin • xanthan gum • alumina • fragrance (parfum) • sodium chloride • bht • chloroxylenol • phenoxyethanol • [+/- iron oxides (ci 77491, ci 77492, ci 77499) • titanium dioxide (ci 77891) • mica] <iln37196>

### **Other information**

protect the product in this container from excessive heat and direct sun

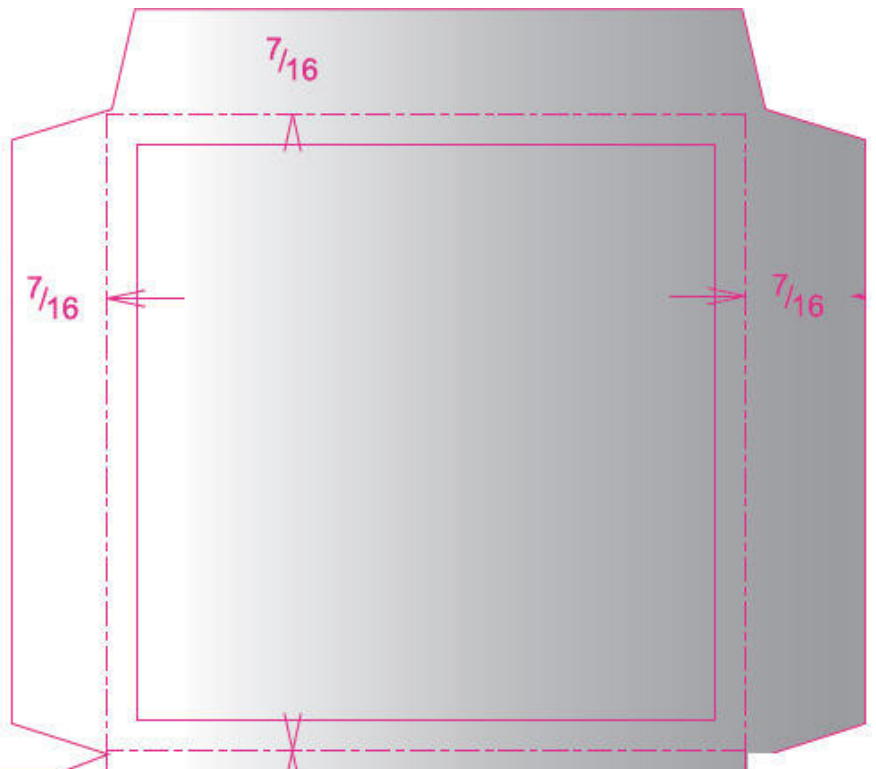
### **PRINCIPAL DISPLAY PANEL - 30 ml Container Carton**

**ESTÉE LAUDER**

Re-Nutriv

Ultimate Lifting Creme Makeup

Broad Spectrum SPF 15



**Drug Facts** (continued)

- wear long-sleeved shirts, pants, hats and sunglasses
- children under 6 months of age: ask a doctor

**Inactive Ingredients**

water/aqua/eau • cyclopentasiloxane • butylene glycol • phenyl trimethicone • cetyl dimethicone • dimethicone • pentaerythrityl tetraethylhexanoate • octyldodecyl stearoyl stearate • peg/ppg-18/18 dimethicone • cetyl peg/ppg-10/1 dimethicone • magnesium sulfate • ethylhexyl palmitate • astrocaryum murumuru butter • pyrus malus (apple) fruit extract • silybum marianum (lady's thistle) extract • acetyl hexapeptide-8 • oryza sativa (rice) bran extract • pisum sativum (pea) extract • aminopropyl ascorbyl phosphate • tocopheryl acetate • palmitoyl dipeptide • caffeine • linoleic acid • cholesterol • quaternium-90 bentonite • acetyl carnitine hcl • ascorbyl palmitate • disodium nadh • ethylhexylglycerin • 7-dehydrocholesterol • trimethylsiloxysilicate • tribehenin • phytosteryl/octyldodecyl lauroyl glutamate • methicone • zinc stearate • sorbitan isostearate • laureth-7 • sucrose • trifluoromethyl c1-4 alkyl dimethicone • glyceryl polymethacrylate • hydrolyzed fish (pisces) collagen • propylene carbonate • caprylyl glycol • sodium hyaluronate • peg-8 • hydrogenated lecithin • xanthan gum • alumina • fragrance (parfum) • sodium chloride • bht • chloroxylenol • phenoxyethanol • (+/- iron oxides (ci 77491, ci 77492, ci 77499) • titanium dioxide (ci 77891) • mica) <ln37196>

**Other information**

protect the product in this container from excessive heat and direct sun.



ESTÉE LAUDER  
Re-Nutriv

Ultimate Lifting Creme Makeup  
Broad Spectrum SPF 15

5/8

**Ultimate Lifting Creme Makeup Broad Spectrum SPF 15**

The ultimate firming makeup. Luxurious, whipped creme formula with leading-edge technology instantly boosts moisture levels so skin appears dramatically smoother and more radiant. And, after eight weeks, this exceptionally emollient makeup visibly tones skin to add lift and spring, reducing the appearance of lines and wrinkles. Includes a golden "caviar spoon" and luxe sponge applicator. Medium coverage. Non-acnegenic. Dermatologist-tested.

**Drug Facts**

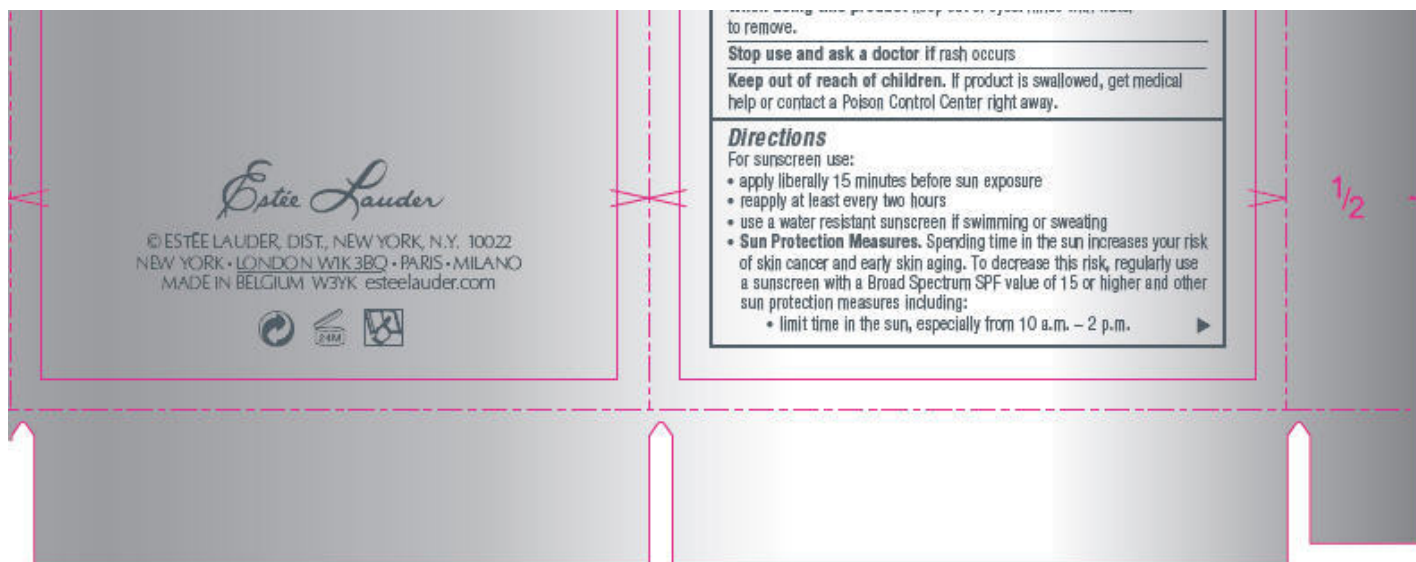
Active Ingredient	Purpose
Titanium Dioxide 1.40%	Sunscreen

**Use**  
helps prevent sunburn

**Warnings**  
For external use only

Do not use on damaged or broken skin

When using this product keep out of eyes. Rinse with water



## RE-NUTRIV ULTIMATE LIFTING MAKEUP SPF15

titanium dioxide cream

### Product Information

<b>Product Type</b>	HUMAN OTC DRUG	<b>Item Code (Source)</b>	NDC:11559-724
<b>Route of Administration</b>	TOPICAL		

### Active Ingredient/Active Moiety

Ingredient Name	Basis of Strength	Strength
TITANIUM DIOXIDE (UNII: 15FIX9 V2JP) (TITANIUM DIOXIDE - UNII:15FIX9 V2JP)	TITANIUM DIOXIDE	1.4 mL in 100 mL

### Inactive Ingredients

Ingredient Name	Strength
water (UNII: 059QF0K00R)	
cyclomethicone 5 (UNII: 0THT5PCI0R)	
butylene glycol (UNII: 3XUS85K0RA)	
phenyl trimethicone (UNII: DR0K5NOJ4R)	
dimethicone (UNII: 92RU3N3Y1O)	
pentaerythrityl tetraethylhexanoate (UNII: XJ7052W897)	
octyldodecyl stearoyl stearate (UNII: 3D47Q6D93C)	
peg/ppg-18/18 dimethicone (UNII: 9H0AO7T794)	
magnesium sulfate (UNII: DE08037SAB)	
ethylhexyl palmitate (UNII: 2865993309)	
astrocaryum murumuru seed butter (UNII: 12V64UPU6R)	
apple (UNII: B423VGH5S9)	
milk thistle (UNII: 82219LEJ7S)	
acetyl hexapeptide-8 (UNII: L4EL31FWIL)	
rice bran (UNII: R60QEP13IC)	
pea (UNII: W4X7H8GYFM)	
aminopropyl ascorbyl phosphate (UNII: 290O2PQ83R)	

.alpha.-tocopherol acetate (UNII: 9E8X80D2L0)
palmitoyl oligopeptide (UNII: HO4ZT5S86C)
caffeine (UNII: 3G6A5W338E)
linoleic acid (UNII: 9KJL21T0QJ)
cholesterol (UNII: 97C5T2UQ7J)
acetylcarnitine hydrochloride (UNII: NDW10MX58T)
ascorbyl palmitate (UNII: QN83US2B0N)
ethylhexylglycerin (UNII: 147D247K3P)
7-dehydrocholesterol (UNII: BK1IU07GKF)
tribehenin (UNII: 8OC9U7TQZ0)
zinc stearate (UNII: H92E6QA4FV)
sorbitan isostearate (UNII: 01S2G2C1E4)
laureth-7 (UNII: Z95S6G8201)
sucrose (UNII: C151H8M554)
propylene carbonate (UNII: 8D08K3S51E)
caprylyl glycol (UNII: 00YIU5438U)
hyaluronate sodium (UNII: YSE9PPT4TH)
polyethylene glycol 400 (UNII: B697894SGQ)
hydrogenated soybean lecithin (UNII: H1109Z9J4N)
xanthan gum (UNII: TTV12P4NEE)
aluminum oxide (UNII: LM26O6933)
sodium chloride (UNII: 451W471Q8X)
butylated hydroxytoluene (UNII: 1P9D0Z171K)
chloroxylenol (UNII: 0F32U78V2Q)
phenoxyethanol (UNII: HIE492ZZ3T)
ferric oxide red (UNII: 1K09F3G675)
ferric oxide yellow (UNII: EX438O2MRT)
ferrosoferric oxide (UNII: XM0M87F357)
mica (UNII: V8A1AW0880)

### Packaging

#	Item Code	Package Description	Marketing Start Date	Marketing End Date
1	NDC:11559-724-01	1 in 1 CARTON		
1		30 mL in 1 CONTAINER		

### Marketing Information

Marketing Category	Application Number or Monograph Citation	Marketing Start Date	Marketing End Date
OTC MONOGRAPH NOT FINAL	part352	01/01/2005	

**Labeler** - ESTEE LAUDER INC (005914387)

### Establishment

Name	Address	ID/FEI	Business Operations
ELGC K.K.		712808195	RELABEL(11559-724) , REPACK(11559-724)

## Establishment

Name	Address	ID/FEI	Business Operations
Estee Lauder Pennsylvania Distribution Center 2 (PADC 2)		828534516	MANUFACTURE(11559-724) , RELABEL(11559-724) , REPACK(11559-724)

## Establishment

Name	Address	ID/FEI	Business Operations
Estee Lauder Inc.		042918826	MANUFACTURE(11559-724)

## Establishment

Name	Address	ID/FEI	Business Operations
ESTEE LAUDER COSMETICS DISTRIBUTION CENTER		208579636	REPACK(11559-724) , RELABEL(11559-724)

## Establishment

Name	Address	ID/FEI	Business Operations
ESTEE LAUDER COSMETICS, LTD		253616536	MANUFACTURE(11559-724)

## Establishment

Name	Address	ID/FEI	Business Operations
ESTEE LAUDER COSMETICS, LTD		244669714	MANUFACTURE(11559-724)

## Establishment

Name	Address	ID/FEI	Business Operations
ESTEE LAUDER COSMETICS, LTD.		205952385	MANUFACTURE(11559-724)

## Establishment

Name	Address	ID/FEI	Business Operations
ESTEE LAUDER N.V.		370151326	MANUFACTURE(11559-724)

## Establishment

Name	Address	ID/FEI	Business Operations
LEN-RON MANUFACTURING DIVISION OF ARAMIS INC		809771152	MANUFACTURE(11559-724)

## Establishment

Name	Address	ID/FEI	Business Operations
NORTEC KEYSTONE		943871157	MANUFACTURE(11559-724) , RELABEL(11559-724) , REPACK(11559-724)

## Establishment

Name	Address	ID/FEI	Business Operations
NORTHTEC BRISTOL		959338336	MANUFACTURE(11559-724) , RELABEL(11559-724) , REPACK(11559-724)

## Establishment

Name	Address	ID/FEI	Business Operations
NORTHTEC KEYSTONE		949264774	MANUFACTURE(11559-724) , RELABEL(11559-724) , REPACK(11559-724)

## Establishment

Name	Address	ID/FEI	Business Operations
WHITMAN LABORATORIES, LTD.		216866277	MANUFACTURE(11559-724)

## Establishment

Name	Address	ID/FEI	Business Operations
Aveda Corporation		071352058	MANUFACTURE(11559-724)

## Establishment

Name	Address	ID/FEI	Business Operations
Pennsylvania Logistics Center		078364654	REPACK(11559-724) , RELABEL(11559-724)

Revised: 6/2012

ESTEE LAUDER INC