

**DAYQUIL SEVERE PLUS VAPOCOOL COLD AND FLU, CVP HEALTH-
acetaminophen, dextromethorphan hydrobromide, guaifenesin, and
phenylephrine hydrochloride tablet, coated**
**DAYQUIL SEVERE PLUS VAPOCOOL COLD AND FLU, TRAVEL BASIX-
acetaminophen, dextromethorphan hydrobromide, guaifenesin, and
phenylephrine hydrochloride tablet, coated**
**DAYQUIL SEVERE PLUS VAPOCOOL COLD AND FLU- acetaminophen,
dextromethorphan hydrobromide, guaifenesin, and phenylephrine
hydrochloride tablet, coated**
Lil' Drug Store Products, Inc.

DayQuil™ Severe+ VapoCOOL™ Cold & Flu

Drug Facts

<i>Active ingredients (in each caplet)</i>	<i>Purpose</i>
Acetaminophen 325 mg	Pain reliever/Fever reducer
Dextromethorphan HBr 10 mg	Cough suppressant
Guaifenesin 200 mg	Expectorant
Phenylephrine HCl 5 mg	Nasal decongestant

Uses

temporarily relieves common cold/flu symptoms:

- nasal congestion
- sinus congestion & pressure
- cough due to minor throat & bronchial irritation
- minor aches & pains
- headache
- fever
- sore throat
- reduces swelling of nasal passages
- temporarily restores freer breathing through the nose
- promotes nasal and/or sinus drainage
- helps loosen phlegm (mucus) and thin bronchial secretions to rid the bronchial passageways of bothersome mucus and make coughs more productive.

Warnings

Liver warning

This product contains acetaminophen. Severe liver damage may occur if you take

- more than 8 caplets in 24 hours, which is the maximum daily amount for this product
- with other drugs containing acetaminophen
- 3 or more alcoholic drinks every day while using this product

Allergy Alert

Acetaminophen may cause severe skin reactions. Symptoms may include:

- Skin reddening
- Blisters
- Rash

If a skin reaction occurs, stop use and seek medical help right away.

Sore throat warning

If sore throat is severe, persists for more than 2 days, is accompanied or followed by fever, headache, rash, nausea, or vomiting, consult a doctor promptly.

Do not use

- with any other drug containing acetaminophen (prescription or nonprescription). If you are not sure whether a drug contains acetaminophen, ask a doctor or pharmacist.
- if you are now taking a prescription monoamine oxidase inhibitor (MAOI) (certain drugs for depression, psychiatric or emotional conditions, or Parkinson's disease), or for 2 weeks after stopping the MAOI drug. If you do not know if your prescription drug contains an MAOI, ask a doctor or pharmacist before taking this product.

Ask a doctor before use if you have

- liver disease
- heart disease
- high blood pressure
- thyroid disease
- diabetes
- trouble urinating due to enlarged prostate gland
- cough that occurs with too much phlegm (mucus)
- persistent or chronic cough such as occurs with smoking, asthma, chronic bronchitis, or emphysema

Ask a doctor or pharmacist before use if you are taking the blood thinning drug warfarin.

When using this product, do not use more than directed.

Stop use and ask a doctor if

- you get nervous, dizzy or sleepless
- pain, nasal congestion, or cough gets worse or lasts more than 7 days
- fever gets worse or lasts more than 3 days
- redness or swelling is present
- new symptoms occur
- cough comes back or occurs with rash or headache that lasts.

These could be signs of a serious condition.

If pregnant or breast-feeding, ask a health professional before use.

Keep out of reach of children. In case of overdose, get medical help or contact a Poison Control Center right away. Quick medical attention is critical for adults as well as for children even if you do not notice any signs or symptoms.

Directions

- take only as directed
- do not exceed 8 caplets per 24 hrs

adults & children 12 yrs & over	2 caplets with water every 4 hrs
children 4 to under 12 yrs	ask a doctor
children under 4 yrs	do not use

Other information

- **each caplet contains:** sodium 4 mg
- do not exceed 25°C

Inactive ingredients

croscarmellose sodium, crospovidone, FD&C Yellow No. 6 Aluminum Lake, flavor, maltodextrin, microcrystalline cellulose, polyethylene glycol, polyvinyl alcohol, povidone, pregelatinized starch, silicon dioxide, stearic acid, sucralose, talc, titanium dioxide

Questions?

1-800-362-1683

Product repackaged and distributed with permission of manufacturer by:
Lil' Drug Store Products, Inc., 9300 Earhart Lane SW, Cedar Rapids, IA 52404

PRINCIPAL DISPLAY PANEL - 6 Caplet Pouch Carton

DayQuil™
SEVERE+
VICKS® VapoCOOL™

COLD & FLU

Acetaminophen, Phenylephrine HCl,
Dextromethorphan HBr, Guaifenesin

- Minor Aches & Pains, Fever
- Nasal Congestion & Sinus Pressure
- Cough
- Chest Congestion

Non-Drowsy

6
Coated Caplets

Lil'
Drug Store®

DayQuilTM SEVERE+

VICKS[®] VapoCOOLTM

COLD & FLU

Acetaminophen, Phenylephrine HCl, Dextromethorphan HBr, Guaifenesin

- Minor Aches & Pains, Fever
- Nasal Congestion & Sinus Pressure
- Cough
- Chest Congestion



Non-Drowsy

6 Coated Caplets



PARENTS:
Learn about your medicine issues
www.SpeakUp4Kids.org

VapoCOOLTM
COLD & FLU

DayQuilTM SEVERE+

DO NOT USE IF THE POUCH IS BROKEN OR TORN.
FAILURE TO FOLLOW THESE WARNINGS COULD RESULT IN SERIOUS CONSEQUENCES.

Drug Facts

Active ingredients (in each caplet)	Purpose
Acetaminophen 325 mg	Pain reliever/Fever reducer
Dextromethorphan HBr 10 mg	Cough suppressant
Guaifenesin 200 mg	Expectorant
Phenylephrine HCl 5 mg	Nasal decongestant

Uses temporarily relieves common cold/flu symptoms:

- nasal congestion
- sinus congestion & pressure
- cough due to minor throat & bronchial irritation
- minor aches & pains • headache • fever • sore throat
- reduces swelling of nasal passages
- temporarily restores freer breathing through the nose
- promotes nasal and/or sinus drainage
- helps loosen phlegm (mucus) and thin bronchial secretions to rid the bronchial passageways of bothersome mucus and make coughs more productive.

Warnings

Liver warning: This product contains acetaminophen. Severe liver damage may occur if you take

- more than 8 caplets in 24 hours, which is the maximum daily amount for this product
- with other drugs containing acetaminophen
- 3 or more alcoholic drinks every day while using this product

Allergy Alert: Acetaminophen may cause severe skin reactions. Symptoms may include: • Skin reddening • Blisters • Rash

If a skin reaction occurs, stop use and seek medical help right away.

LIFT PANEL FOR CONTINUED DRUG FACTS

DayQuilTM SEVERE+ VapoCOOLTM COLD & FLU
6 Coated Caplets

Drug Facts (continued)

If pregnant or breast-feeding, ask a health professional before use. **Keep out of reach of children.** In case of overdose, get medical help or contact a Poison Control Center right away. Quick medical attention is critical for adults as well as for children even if you do not notice any signs or symptoms.

Directions

- take only as directed
- do not exceed 8 caplets per 24 hrs

adults & children 12 yrs & over	2 caplets with water every 4 hrs
children 4 to under 12 yrs	ask a doctor
children under 4 yrs	do not use

Other information

- each caplet contains: sodium 4 mg • do not exceed 25°C

Inactive Ingredients croscarmellose sodium, crospovidone, FD&C Yellow No. 6 Aluminum Lake, flavor, maltodextrin, microcrystalline cellulose, polyethylene glycol, polyvinyl alcohol, povidone, pregelatinized starch, silicon dioxide, stearic acid, sucralose, talc, titanium dioxide

Questions? 1-800-362-1683

Manufactured for Procter & Gamble, Cincinnati, OH 45202
www.vicks.com Patents: www.pg.com/patents

Product repackaged and distributed with permission of manufacturer by:
Lil' Drug Store Products, Inc., 9300 Earhart Lane SW, Cedar Rapids, IA 52404
1-877-507-6516 (M-F 8AM-4:30PM CT) 97043C-US-06-18-A

DayQuilTM SEVERE+

VICKS[®] VapoCOOLTM

COLD & FLU

6 Coated Caplets

Drug Facts (continued)

Sore throat warning: If sore throat is severe, persists for more than 2 days, is accompanied or followed by fever, headache, rash, nausea, or vomiting, consult a doctor promptly.

Do not use

- with any other drug containing acetaminophen (prescription or nonprescription). If you are not sure whether a drug contains acetaminophen, ask a doctor or pharmacist.
- if you are now taking a prescription monoamine oxidase inhibitor (MAOI) (certain drugs for depression, psychiatric or emotional conditions, or Parkinson's disease), or for 2 weeks after stopping the MAOI drug. If you do not know if your prescription drug contains an MAOI, ask a doctor or pharmacist before taking this product.

Ask a doctor before use if you have

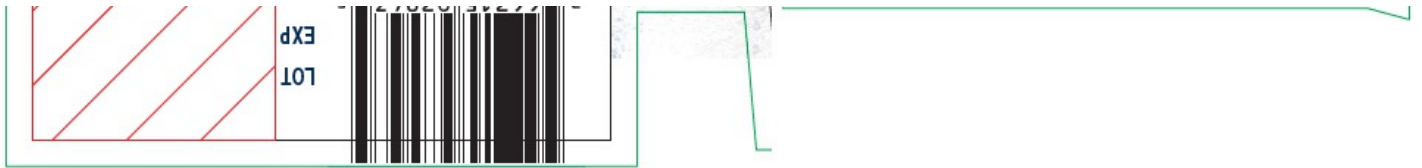
- liver disease • heart disease • high blood pressure
- thyroid disease • diabetes
- trouble urinating due to enlarged prostate gland
- cough that occurs with too much phlegm (mucus)
- persistent or chronic cough such as occurs with smoking, asthma, chronic bronchitis, or emphysema

Ask a doctor or pharmacist before use if you are taking the blood thinning drug warfarin.

When using this product, do not use more than directed.

Stop use and ask a doctor if

- you get nervous, dizzy or sleepless
 - pain, nasal congestion, or cough gets worse or lasts more than 7 days
 - fever gets worse or lasts more than 3 days
 - redness or swelling is present
 - new symptoms occur
 - cough comes back or occurs with rash or headache that lasts.
- These could be signs of a serious condition.



DayQuil Severe + VapoCOOL Cold & Flu, Travel BASIX PDP/Package

DayQuil™

SEVERE+

VICKS® VapoCOOL™

COLD & FLU

Acetaminophen, Phenylephrine HCl,
Dextromethorphan HBr, Guaifenesin

- **Minor Aches & Pains, Fever**
- **Nasal Congestion & Sinus Pressure**
- **Cough**
- **Chest Congestion**

Non-Drowsy

[caplet image]

4

Coated Caplets

[Travel BASIX logo]



DayQuil™ SEVERE+ VapoCOOL™ Cpld & Flu , CVP HEALTH - PDP/Package

DayQuil™

SEVERE+

VICKS® VapoCOOL™

COLD & FLU

Acetaminophen, Phenylephrine HCl,

Dextromethorphan HBr, Guaifenesin

- **Minor Aches & Pains, Fever**
- **Nasal Congestion & Sinus Pressure**
- **Cough**
- **Chest Congestion**

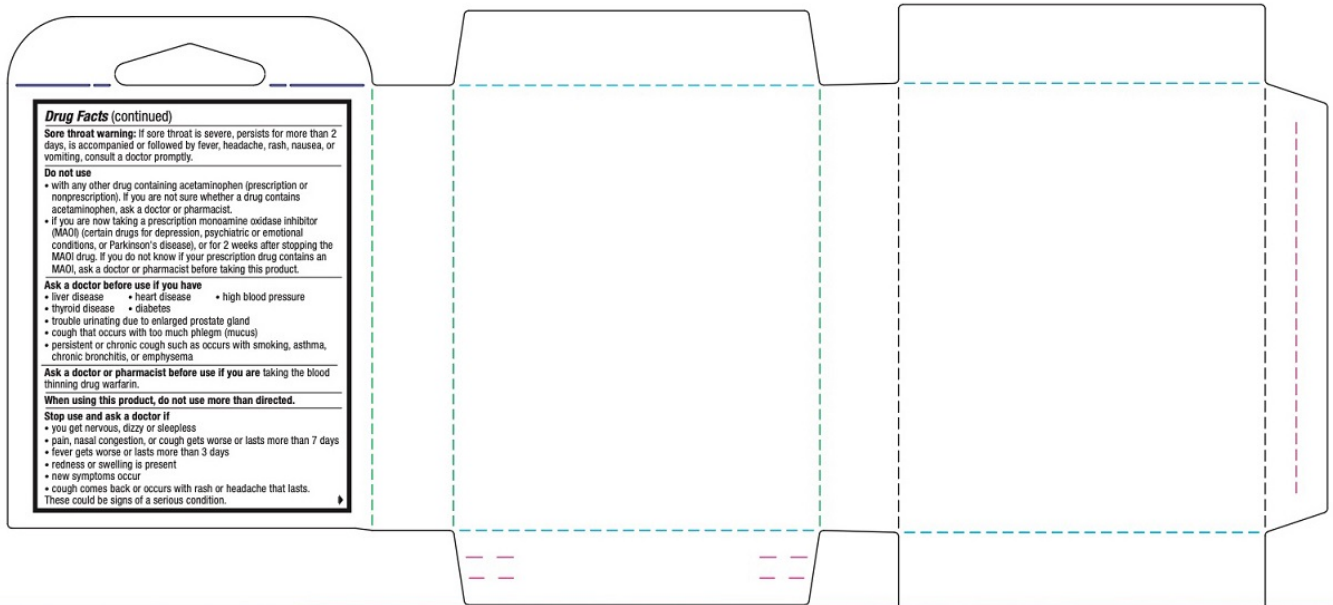
[caplet image]

Non-Drowsy

4

Coated Caplets

[CVP® HEALTH logo]



DAYQUIL SEVERE PLUS VAPOCOOL COLD AND FLU, CVP HEALTH
 acetaminophen, dextromethorphan hydrobromide, guaifenesin, and phenylephrine hydrochloride
 tablet, coated

Product Information			
Product Type	HUMAN OTC DRUG	Item Code (Source)	NDC:66715-6580
Route of Administration	ORAL		

Active Ingredient/Active Moiety			
Ingredient Name	Basis of Strength	Strength	
ACETAMINOPHEN (UNII: 362O9ITL9D) (ACETAMINOPHEN - UNII:362O9ITL9D)	ACETAMINOPHEN	325 mg	
DEXTROMETHORPHAN HYDROBROMIDE (UNII: 9D2RT19KYH) (DEXTROMETHORPHAN - UNII:7355X3ROTS)	DEXTROMETHORPHAN HYDROBROMIDE	10 mg	

GUAIFENESIN (UNII: 495W7451VQ) (GUAIFENESIN - UNII:495W7451VQ)	GUAIFENESIN	200 mg
PHENYLEPHRINE HYDROCHLORIDE (UNII: 04JA59TNSJ) (PHENYLEPHRINE - UNII:1WS297W6MV)	PHENYLEPHRINE HYDROCHLORIDE	5 mg

Inactive Ingredients

Ingredient Name	Strength
TALC (UNII: 7SEV7J4R1U)	
TITANIUM DIOXIDE (UNII: 15FIX9V2JP)	
CROSCARMELOSE SODIUM (UNII: M28OL1HH48)	
CROSPVIDONE (15 MPAS AT 5%) (UNII: 68401960MK)	
FD&C YELLOW NO. 6 (UNII: H77VEI93A8)	
MALTODEXTRIN (UNII: 7CVR7L4A2D)	
MICROCRYSTALLINE CELLULOSE (UNII: OP1R32D61U)	
POLYETHYLENE GLYCOL, UNSPECIFIED (UNII: 3WJQ0SDW1A)	
POLYVINYL ALCOHOL, UNSPECIFIED (UNII: 532B59J990)	
POVIDONE, UNSPECIFIED (UNII: FZ989GH94E)	
STARCH, CORN (UNII: O8232NY3SJ)	
SILICON DIOXIDE (UNII: ETJ7Z6XBU4)	
STEARIC ACID (UNII: 4ELV7Z65AP)	
SUCRALOSE (UNII: 96K6UQ3ZD4)	

Product Characteristics

Color	orange	Score	no score
Shape	OVAL	Size	19mm
Flavor		Imprint Code	DQ
Contains			

Packaging

#	Item Code	Package Description	Marketing Start Date	Marketing End Date
1	NDC:66715-6580-2	2 in 1 CARTON	08/01/2022	
1		2 in 1 POUCH; Type 0: Not a Combination Product		

Marketing Information

Marketing Category	Application Number or Monograph Citation	Marketing Start Date	Marketing End Date
OTC Monograph Drug	M012	08/01/2022	

DAYQUIL SEVERE PLUS VAPOCOOL COLD AND FLU, TRAVEL BASIX

acetaminophen, dextromethorphan hydrobromide, guaifenesin, and phenylephrine hydrochloride tablet, coated

Product Information

Product Type	HUMAN OTC DRUG	Item Code (Source)	NDC:66715-6404
Route of Administration	ORAL		

Active Ingredient/Active Moiety

Ingredient Name	Basis of Strength	Strength
ACETAMINOPHEN (UNII: 362O9ITL9D) (ACETAMINOPHEN - UNII:362O9ITL9D)	ACETAMINOPHEN	325 mg
DEXTROMETHORPHAN HYDROBROMIDE (UNII: 9D2RTI9KYH) (DEXTROMETHORPHAN - UNII:7355X3ROTS)	DEXTROMETHORPHAN HYDROBROMIDE	10 mg
GUAIFENESIN (UNII: 495W7451VQ) (GUAIFENESIN - UNII:495W7451VQ)	GUAIFENESIN	200 mg
PHENYLEPHRINE HYDROCHLORIDE (UNII: 04JA59TNSJ) (PHENYLEPHRINE - UNII:1WS297W6MV)	PHENYLEPHRINE HYDROCHLORIDE	5 mg

Inactive Ingredients

Ingredient Name	Strength
TALC (UNII: 7SEV7J4R1U)	
TITANIUM DIOXIDE (UNII: 15FIX9V2JP)	
CROSCARMELLOSE SODIUM (UNII: M28OL1HH48)	
CROSPVIDONE (15 MPAS AT 5%) (UNII: 68401960MK)	
FD&C YELLOW NO. 6 (UNII: H77VEI93A8)	
MALTODEXTRIN (UNII: 7CVR7L4A2D)	
MICROCRYSTALLINE CELLULOSE (UNII: OP1R32D61U)	
POLYETHYLENE GLYCOL, UNSPECIFIED (UNII: 3WJQ0SDW1A)	
POLYVINYL ALCOHOL, UNSPECIFIED (UNII: 532B59J990)	
POVIDONE, UNSPECIFIED (UNII: FZ989GH94E)	
STARCH, CORN (UNII: O8232NY3SJ)	
SILICON DIOXIDE (UNII: ETJ7Z6XBU4)	
STEARIC ACID (UNII: 4ELV7Z65AP)	
SUCRALOSE (UNII: 96K6UQ3ZD4)	

Product Characteristics

Color	orange	Score	no score
Shape	OVAL	Size	19mm
Flavor		Imprint Code	DQ
Contains			

Packaging

#	Item Code	Package Description	Marketing Start Date	Marketing End Date
1	NDC:66715-6404-2	2 in 1 CARTON	11/28/2022	
1		2 in 1 POUCH; Type 0: Not a Combination Product		

Marketing Information

Marketing Category	Application Number or Monograph Citation	Marketing Start Date	Marketing End Date
OTC Monograph Drug	M012	11/28/2022	

DAYQUIL SEVERE PLUS VAPOCOOL COLD AND FLU

acetaminophen, dextromethorphan hydrobromide, guaifenesin, and phenylephrine hydrochloride tablet, coated

Product Information

Product Type	HUMAN OTC DRUG	Item Code (Source)	NDC:66715-9904
Route of Administration	ORAL		

Active Ingredient/Active Moiety

Ingredient Name	Basis of Strength	Strength
ACETAMINOPHEN (UNII: 362O9ITL9D) (ACETAMINOPHEN - UNII:362O9ITL9D)	ACETAMINOPHEN	325 mg
DEXTROMETHORPHAN HYDROBROMIDE (UNII: 9D2RTI9KYH) (DEXTROMETHORPHAN - UNII:7355X3ROTS)	DEXTROMETHORPHAN HYDROBROMIDE	10 mg
GUAIFENESIN (UNII: 495W7451VQ) (GUAIFENESIN - UNII:495W7451VQ)	GUAIFENESIN	200 mg
PHENYLEPHRINE HYDROCHLORIDE (UNII: 04JA59TNSJ) (PHENYLEPHRINE - UNII:1WS297W6MV)	PHENYLEPHRINE HYDROCHLORIDE	5 mg

Inactive Ingredients

Ingredient Name	Strength
CROSCARMELLOSE SODIUM (UNII: M28OL1HH48)	
CROSPVIDONE (15 MPA.S AT 5%) (UNII: 68401960MK)	
FD&C YELLOW NO. 6 (UNII: H77VEI93A8)	
MALTODEXTRIN (UNII: 7CVR7L4A2D)	
MICROCRYSTALLINE CELLULOSE (UNII: OP1R32D61U)	
POLYETHYLENE GLYCOL, UNSPECIFIED (UNII: 3WJQ0SDW1A)	
POLYVINYL ALCOHOL, UNSPECIFIED (UNII: 532B59J990)	
POVIDONE, UNSPECIFIED (UNII: FZ989GH94E)	
STARCH, CORN (UNII: O8232NY3SJ)	
SILICON DIOXIDE (UNII: ETJ7Z6XBU4)	
STEARIC ACID (UNII: 4ELV7Z65AP)	
SUCRALOSE (UNII: 96K6UQ3ZD4)	
TALC (UNII: 7SEV7J4R1U)	
TITANIUM DIOXIDE (UNII: 15FIX9V2JP)	

Product Characteristics

Color	orange	Score	no score
Shape	OVAL	Size	19mm
Flavor		Imprint Code	DQ
Contains			

Packaging

#	Item Code	Package Description	Marketing Start Date	Marketing End Date
1	NDC:66715-9904-2	2 in 1 CARTON	05/01/2019	
1		2 in 1 POUCH; Type 0: Not a Combination Product		
2	NDC:66715-9904-3	3 in 1 CARTON	05/01/2019	03/29/2025
2		2 in 1 POUCH; Type 0: Not a Combination Product		
3	NDC:66715-9904-7	20 in 1 CARTON	05/01/2019	05/31/2024
3		2 in 1 POUCH; Type 0: Not a Combination Product		

Marketing Information

Marketing Category	Application Number or Monograph Citation	Marketing Start Date	Marketing End Date
OTC Monograph Drug	M012	05/01/2019	

Labeler - Lil' Drug Store Products, Inc. (093103646)

Revised: 12/2024

Lil' Drug Store Products, Inc.