

EVERY. SINGLE. FACE. WATERY SPF 50- avobenzene, homosalate, octisalate, octocrylene lotion
Supergoop, LLC

Disclaimer: Most OTC drugs are not reviewed and approved by FDA, however they may be marketed if they comply with applicable regulations and policies. FDA has not evaluated whether this product complies.

Every. Single. Face. Watery Lotion SPF 50

Active Ingredients Purpose

Avobenzene 3% Sunscreen

Homosalate 9%

Octisalate 5%

Octocrylene 9%

Uses

- Helps prevent sunburn
- If used as directed with other sun protection measures (see **Directions**), decreases the risk of skin cancer and early skin aging caused by the sun

Keep out of reach of children. If product is swallowed, get medical help or contact a Poison Control Center right away.

Stop use and ask a doctor if rash occurs.

Warnings

For external use only

Do not use on damaged or broken skin

When using this product keep out of eyes. Rinse with water to remove

Directions

- apply generously and evenly 15 minutes before sun exposure

reapply:

- after 40 minutes of swimming or sweating
- immediately after towel drying
- at least every 2 hours

Sun Protection Measures: Spending time in the sun increases your risk of early skin cancer and early skin aging. To decrease this risk, regularly use a sunscreen with a Broad Spectrum SPF value of 15 or higher and other sun protection measures including:

- Limit time in the sun, especially from 10 a.m.-2p.m.
- Wear long-sleeved shirts, pants, hats, and sunglasses
- Reapply at least every 2 hours
- Children under 6 months: Ask a doctor

Inactive Ingredients Water, Alcohol, C12-15 Alkyl Benzoate, Propanediol,

Dimethicone, Glycerin, Acrylates/Polytrimethylsiloxymethacrylate Copolymer, Maltodextrin, Triethyl Citrate, Hydroxyacetophenone, Acrylates/C10-30 Alkyl Acrylate Crosspolymer, 1,2-Hexanediol, Caprylyl Glycol, Pullulan, Sodium Polyacrylate, Betaine, Lavandula Angustifolia (Lavender) Flower/Leaf/Stem Extract, Tremella Fuciformis Sporocarp Extract, Amyl Cinnamal, Glyceryl Caprylyl, Glyceryl Undecylenate, Sodium Carboxymethyl Beta-Glucan, Pyrus Malus (Apple) Fruit Extract, Rosmarinus Officinalis (Rosemary) Leaf Extract, Rubus Idaeus (Raspberry) Leaf Extract, Salvia Officinalis (Sage) Leaf Extract, Lepidium Sativum Sprout Extract

Protect the product in this container from excessive heat and direct sun.

Supergoop!

EVERY. SINGLE. FACE.

WATERY LOTION

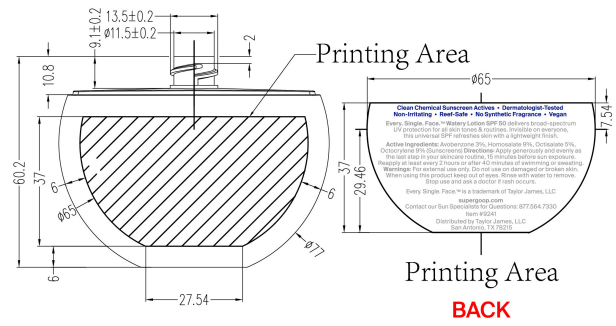
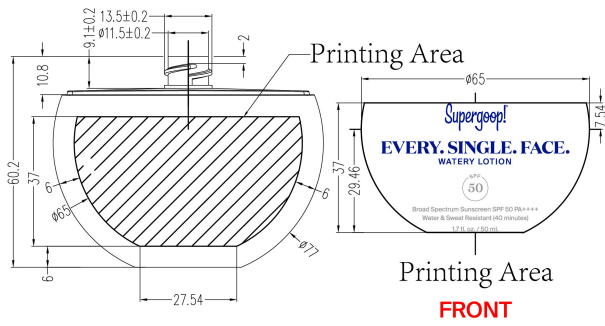
SPF 50

Broad Spectrum Sunscreen SPF 50 PA++++

Water & Sweat Resistant (40 minutes)

1.7 fl. oz./ 50 ml.





EVERY. SINGLE. FACE. WATERY SPF 50

avobenzone, homosalate, octisalate, octocrylene lotion

Product Information

Product Type	HUMAN OTC DRUG	Item Code (Source)	NDC:75936-360
Route of Administration	TOPICAL		

Active Ingredient/Active Moiety

Ingredient Name	Basis of Strength	Strength
HOMOSALATE (UNII: V06SV4M95S) (HOMOSALATE - UNII:V06SV4M95S)	HOMOSALATE	9 g in 100 mL
AVOBENZONE (UNII: G63QQF2NOX) (AVOBENZONE - UNII:G63QQF2NOX)	AVOBENZONE	3 g in 100 mL
OCTISALATE (UNII: 4X49Y0596W) (OCTISALATE - UNII:4X49Y0596W)	OCTISALATE	5 g in 100 mL
OCTOCRYLENE (UNII: 5A68WGF6WM) (OCTOCRYLENE - UNII:5A68WGF6WM)	OCTOCRYLENE	9 g in 100 mL

Inactive Ingredients

Ingredient Name	Strength
LINALOOL, (+/-)- (UNII: D81QY6I88E)	
TREMELLA FUCIFORMIS FRUITING BODY (UNII: GG8N28393G)	
.ALPHA.-AMYL CINNAMALDEHYDE (UNII: WC51CA3418)	
SAGE (UNII: 065C5D077J)	
PROPANEDIOL (UNII: 5965N8W85T)	
DIMETHICONE (UNII: 92RU3N3Y1O)	
TRIETHYL CITRATE (UNII: 8Z96QXD6UM)	
HYDROXYACETOPHENONE (UNII: G1L3HT4CMH)	
1,2-HEXANEDIOL (UNII: TR046Y3K1G)	
PULLULAN (UNII: 8ZQ0AYU1TT)	
MALTODEXTRIN (UNII: 7CVR7L4A2D)	
ALKYL (C12-15) BENZOATE (UNII: A9EJ3J61HQ)	
RUBUS IDAEUS LEAF (UNII: 8O2V33JG64)	
GARDEN CRESS SPROUT (UNII: PWQ18YNR62)	
GLYCERIN (UNII: PDC6A3C0OX)	
ROSEMARY (UNII: IJ67X351P9)	
GLYCERYL MONOCAPRYLATE (UNII: TM2TZD4G4A)	
CAPRYLYL GLYCOL (UNII: 00YIU5438U)	
CAESALPINIA SPINOSA RESIN (UNII: WL3883U2PO)	

GREEN TEA LEAF (UNII: W2ZU1RY8B0)	
SODIUM CARBOXYMETHYL .BETA.-GLUCAN (DS 0.65-0.85) (UNII: 2YGO1190AP)	
LAVANDULA ANGUSTIFOLIA SUBSP. ANGUSTIFOLIA FLOWERING TOP (UNII: 9YT4B71U8P)	
HEDYCHIUM CORONARIUM ROOT (UNII: 92A6N0IQN9)	
CARBOMER INTERPOLYMER TYPE A (ALLYL SUCROSE CROSSLINKED) (UNII: 59TL3WG5CO)	
SODIUM POLYACRYLATE (8000 MW) (UNII: 285CYO341L)	
WATER (UNII: 059QF0KO0R)	
ALCOHOL (UNII: 3K9958V90M)	
APPLE (UNII: B423VGH5S9)	
BETAINE (UNII: 3SCV180C9W)	
GLYCERYL 1-UNDECYLENATE (UNII: B68LJT9544)	

Packaging

#	Item Code	Package Description	Marketing Start Date	Marketing End Date
1	NDC:75936-360-01	1.5 mL in 1 PACKET; Type 0: Not a Combination Product	01/15/2022	
2	NDC:75936-360-02	10 mL in 1 TUBE; Type 0: Not a Combination Product	01/15/2022	
3	NDC:75936-360-03	50 mL in 1 BOTTLE; Type 0: Not a Combination Product	11/11/2021	

Marketing Information

Marketing Category	Application Number or Monograph Citation	Marketing Start Date	Marketing End Date
OTC monograph final	part352	11/11/2021	

Labeler - Supergoop, LLC (117061743)

Revised: 10/2022

Supergoop, LLC