

TRUE FORCE ROLL-ON ANTIPERSPIRANT DEODERANT- aluminum chlorohydrate gel
Avon Products, Inc.

Disclaimer: Most OTC drugs are not reviewed and approved by FDA, however they may be marketed if they comply with applicable regulations and policies. FDA has not evaluated whether this product complies.

Drug Facts

Active/

Medicinal ingredient	Purpose
Aluminum Chlorohydrate 14.5%, anhydrous.....	Antiperspirant

Uses

- reduces underarm perspiration
- lasts 24 hours

Warnings

For external use only

When using this product

- do not apply to broken skin
- stop use if rash or irritation develops

Ask a doctor before use

- if you have kidney disease

Keep out of reach of children.

If swallowed, get medical help or contact a Poison Control Center right away.

Directions

- apply to underarms only

**INACTIVE / NON-MEDICINAL
INGREDIENTS :**

WATER/EAU, STEARETH-2,
PPG-15 STEARYL ETHER,
DICAPRYL ADIPATE, PARFUM/
FRAGRANCE, STEARETH-20,
ISOPROPYL PALMITATE.

Questions? Call 1-800-FOR-AVON
or **1-800-265-AVON** in Canada

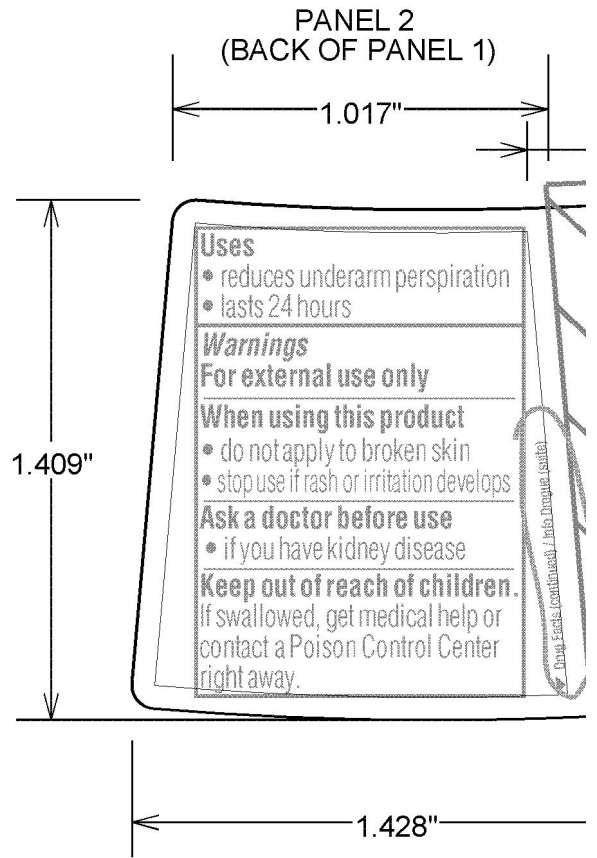
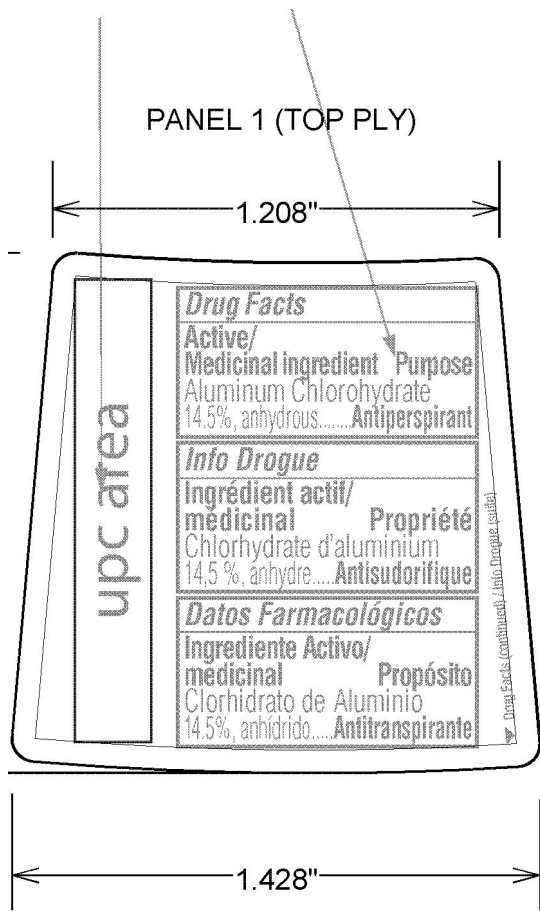


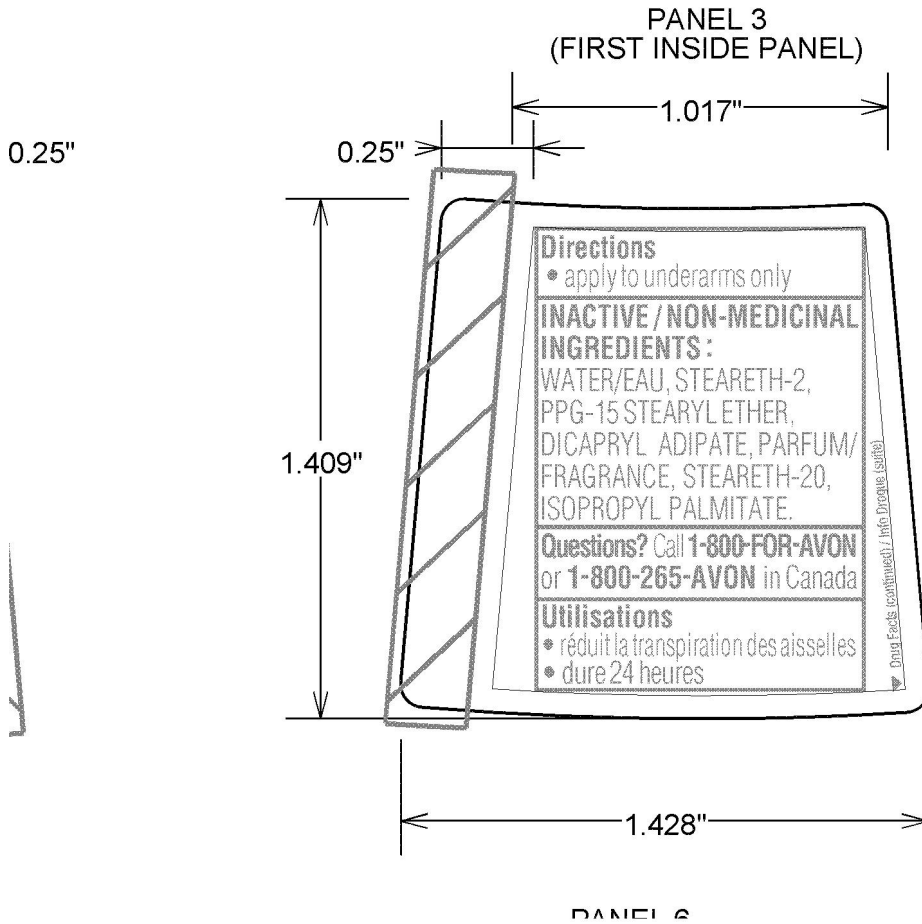
**TRUE
FORCE**

ROLL-ON ANTI-PERSPIRANT DEODORANT
DÉSODORISANT ANTISUDORIFIQUE À BILLE
DESODORANTE ROLL-ON ANTITRANSPIRANTE

ALUMINUM CHLOROHYDRATE 14.5% ANHYDROUS
CHLORHYDRATE D'ALUMINIUM 14.5% ANHYDRE
CLORHIDRATO DE ALUMINIO 14.5% ANHIDRIDO

50 ML 1.7 FL OZ · AVON





TRUE FORCE ROLL-ON ANTIPERSPIRANT DEODERANT

aluminum chlorohydrate gel

Product Information

Product Type	HUMAN OTC DRUG	Item Code (Source)	NDC:10096-0193
Route of Administration	TOPICAL		

Active Ingredient/Active Moiety

Ingredient Name	Basis of Strength	Strength
Aluminum Chlorohydrate (UNII: HPN8MZW13M) (Aluminum Cation - UNII:3XHB1D032B)	Aluminum Chlorohydrate	7.25 mL in 50 mL

Inactive Ingredients

Ingredient Name	Strength
WATER (UNII: 059QF0K00R)	
STEARETH-2 (UNII: V56DFE46J5)	
STEARETH-20 (UNII: L0Q8IK9E08)	

ISOPROPYL PALMITATE (UNII: 8CRQ2TH63M)

Packaging

#	Item Code	Package Description	Marketing Start Date	Marketing End Date
1	NDC:10096-0193-1	50 mL in 1 BOTTLE, DISPENSING		

Marketing Information

Marketing Category	Application Number or Monograph Citation	Marketing Start Date	Marketing End Date
OTC monograph final	part350	12/29/2009	

Labeler - Avon Products, Inc. (001468693)

Establishment

Name	Address	ID/FEI	Business Operations
Avon Products, Inc.		001807106	manufacture

Revised: 12/2009

Avon Products, Inc.