

TD GOLD KIT SET E- glucose dehydrogenase, glucose EPS Bio Technology Corp.

Home Use Medical Device: TD Gold Self-monitoring Blood Glucose System

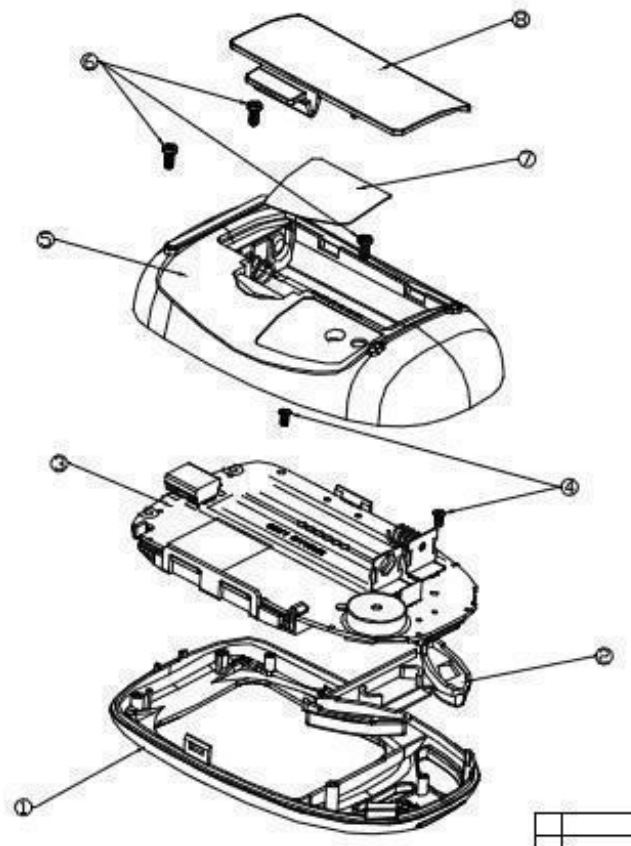
TD Gold Blood Glucose Monitor

55T 安娜白卡
153x90x44mm



TD Gold Blood Glucose Meter

1	D050 EM66 Front Cover	700043029	I-D-R00063
2	D050 EM66 Button	700043042	I-D-R00067
3	EPS2_EM66_N_PT PCB(MG)	200740019	NA
4	SCREW 1.4X3	702000000	I-D-R0282
5	D050 EM66 Back Cover ASSY	200770009	I-D-C00200
6	Screw 1.7 x 4	702001800	I-D-R0863
7	---	---	I-D-R0---
8	D050 EM66 Battery Cover	700043041	I-D-R00065



1, New Design		
Rev. Revising Statement		Date

1. UNLESS OTHERWISE SPECIFIED		EPS Bio Technology Corp.	
2. DIMENSIONS ARE IN MILLIMETERS			
3. TOLERANCES ± DECIMALS		TITLE	
30 - ±0.08	>30 - ±0.16	>300 - ±0.45	D050 EM66 Meter ASSY(MG)
76 - ±0.12	>76 - ±0.25	>300 - ±0.80	SIZE (A4) DWG. NO. I-D-R000261 A
4. DO NOT SCALE DRAWING		SCALE 1 X	SHEET 1 OF 1
DRAWN	DATE		
DESIGN			
CHECK			
APPROVE			

TD GOLD KIT SET E				
glucose dehydrogenase, glucose				
Product Information				
Product Type	MEDICAL DEVICE	Item Code (Source)	NHRIC:47884-180	
Product Characteristics				
number of times usable				10000
Packaging				
#	Item Code	Package Description	Marketing Start Date	Marketing End Date
1	NHRIC:47884-180-00	1 in 1 KIT		

Marketing Information

Marketing Category	Application Number or Monograph Citation	Marketing Start Date	Marketing End Date
premarket notification	K101037	08/30/2013	

Labeler - EPS Bio Technology Corp. (658620117)

Registrant - EPS Bio Technology Corp. (658620117)

Revised: 8/2013

EPS Bio Technology Corp.