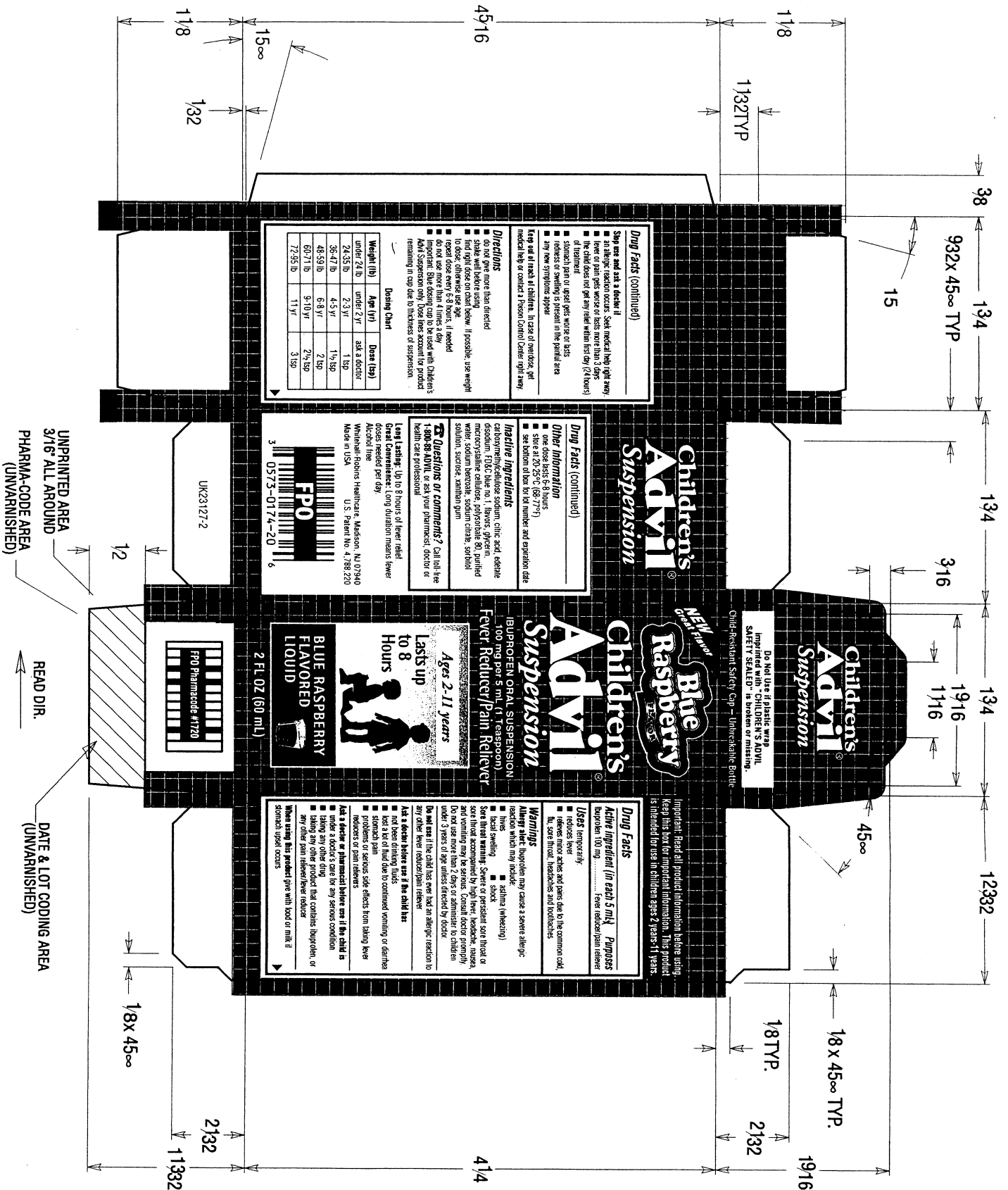


Job Information	Color Legend
Date 7/29/01 Component Code # UK23126-2 Drawing No. 4349 Rev. 1	
Identification Whitehall-Robins Healthcare Package Design Department Five Giralda Farms Madison, NJ 07940 Tel (973) 660-5619 Fax (973) 660-7185	
Vendor Identification J.A. Grip & Co. Designers 25 Washington Street Fifth Floor Madison, NJ 07960 (973) 377-6410	Notes: RED is a combination of 100 Process Magenta plus 65 Process Yellow. CUP is DUOTONE 286 & 311

DRUG FACTS COMPONENTS	SIZE
• DRUG FACTS TITLE	9 pt
•DRUG FACTS CONTINUED	8 pt
•HEADINGS	8 pt
•SUB HEADINGS / TEXT	6 pt
•# CHARACTERS / INCH	<39
•KERNING	0 - -50
•SPACE AFTER BULLETS	2
•BULLETS	5
•BARLINES / HAIRLINES	1.5 pt / .5 pt
•SPACE BETWEEN HAIRLINES & BOX	2 spaces

LEGAL TEXT DEFINED	TYPE
•ACTIVE INGREDIENTS	6 pts
•USES	6 pts
•WARNINGS	6 pts
•DIRECTIONS	6 pts
•INACTIVE INGREDIENTS	6 pts
•TAMPER RESISTANT STATEMENTS	5.42 pts
•STATEMENT OF IDENTITY	5 pts

DEPARTMENT	APPROVED AS IS	APPROVED W/CORRECTION	DATE
Graphic Artist			
Packaging Engineer			
Labeling Compliance			
Medical			
Regulatory Affairs			
Marketing			
Legal			
Trademark			



Drug Facts (continued)

- Some may feel sick or dizzy if:
 - no allergic reaction occurs. Seek medical help right away.
 - fever or pain gets worse or lasts more than 3 days.
 - the child does not get any relief within first day (24 hours) of treatment.
 - stomach pain or upset gets worse or lasts more than 3 days.
 - redness or swelling is present in the painful area.
 - any new symptoms appear.
- Keep out of reach of children. In case of overdose, get medical help or contact a Poison Control Center right away.

Directions

- Do not give more than directed.
- Stir well before using.
- Give right dose on chart below. If possible, use weight to dose; otherwise use age.
- Do not use more than 4 times a day.
- Important: Blue coloring can be used with children's Advil Suspension only. Dose lines account for product remaining in cup due to thickness of suspension.

Weight (lb)	Age (yr)	Dose (teaspoon)
under 24 lb	under 2 yr	ask a doctor
24-35 lb	2-3 yr	1 tsp
36-47 lb	4-5 yr	1½ tsp
48-59 lb	6-8 yr	2 tsp
60-71 lb	9-10 yr	2½ tsp
72-85 lb	11 yr	3 tsp

Dosing Chart

Drug Facts (continued)

Other Information

- one dose lasts 8 hours
- store at 20-25°C (68-77°F)
- see bottom of box for lot number and expiration date

Inactive Ingredients

carboxymethylcellulose sodium, citric acid, edetate disodium, FD&C blue no. 1, flavox, glycerin, microcrystalline cellulose, polydextrose 80, purified water, sodium benzoate, sodium citrate, sorbitol sodium, sucrose, xanthan gum

Questions or comments? Call toll free 1-800-86-ADVIL or visit your pharmacist, doctor or health care professional.

Long Lasting: Up to 8 hours of fever relief, doses needed per day.

Alcohol free

Wholesale Distributors: Hantecare, Madison, NJ 07740
 U.S. Patent No. 4,780,720
 Made in USA

UK23127-2

FPO

0573-0174-20

Children's Advil Suspension

Blue Raspberry

IBUPROFEN ORAL SUSPENSION

Fever Reducer/Pain Reliever

Age 2-11 years

Lasts up to 8 Hours

BLUE RASPBERRY FLAVORED LIQUID

2 FL. OZ (60 mL)

FPO Pharmacode #1720

Drug Facts

Active ingredient (in each 5 mL): Ibuprofen 100 mg. Fever reducer/pain reliever.

Uses (temporarily):

- reduces fever, aches and aches due to the common cold.
- relieves minor aches and pains due to the common cold.
- relieves minor aches and pains due to the common cold.
- relieves minor aches and pains due to the common cold.

Warnings

Allergy alert: Ibuprofen may cause a severe allergic reaction which may include:

- hives (swelling)
- skin rash (itching)
- swelling of the face, lips, tongue, or throat
- difficulty breathing

Some throat swelling. Some or persistent sore throat or sore throat accompanied by high fever, headache, nausea, and vomiting may be serious. Consult doctor promptly. Do not use more than 2 days or administer to children under 3 years of age unless directed by doctor.

Do not use if the child has ever had an allergic reaction to any other fever reducer/pain reliever.

Ask a doctor before use if the child has:

- not been drinking fluids
- been ill or had the flu to continued vomiting or diarrhea
- stomach pain
- stomach pain
- problems or serious side effects from taking fever reducers or pain relievers

Ask a doctor or pharmacist before use if the child is:

- under a doctor's care for any serious condition
- taking any other drug
- taking any other drug that contains ibuprofen, or any other pain reducer/fever reducer

When using this product give with food or milk if stomach upset occurs.

UNPRINTED AREA
 3/16" ALL AROUND
 PHARMA-CODE AREA
 (UNVARNISHED)

READ DIR.

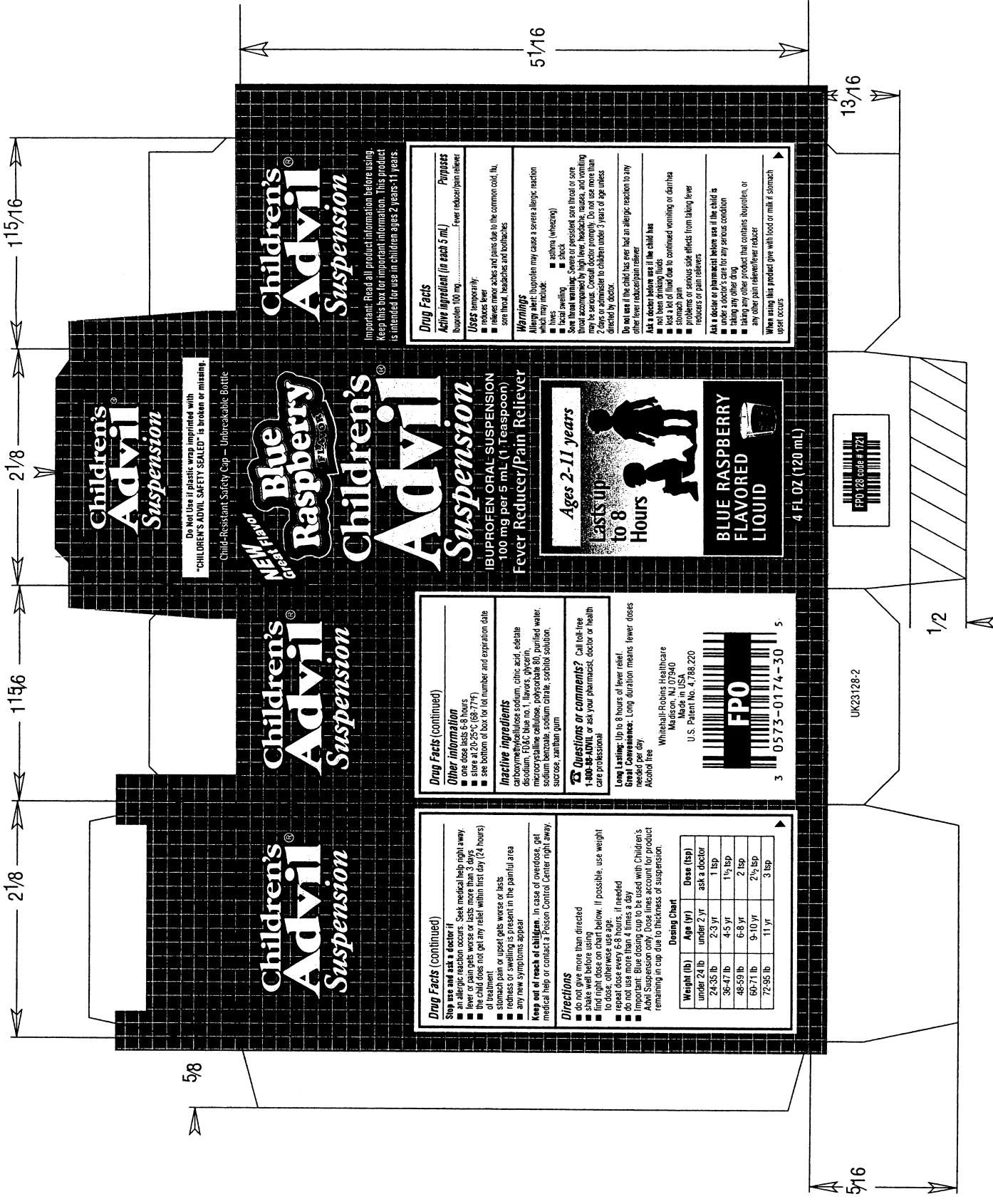
DATE & LOT CODING AREA
 (UNVARNISHED)

Job Information	Color Legend
Date 7/29/01	
Component Code # UK23127-2	
Drawing No. 4767	
Identification	
 Whitehall-Robins Healthcare Package Design Department Five Girarde Farms Madison, NJ 07940 Tel (973) 660-5619 Fax (973) 660-7185	
Vendor Identification	Notes
 JA Grip & Co. Designers 25 Washington Street Fifth Floor Morristown, NJ 07960 (973) 377-6818	RED is a combination of Process Magenta plus Process Yellow.

DRUG FACTS COMPONENTS	SIZE
• DRUG FACTS TITLE	9 pt
• DRUG FACTS CONTINUED	8 pt
• HEADINGS	8 pt
• SUB HEADINGS / TEXT	6 pt
• # CHARACTERS / INCH	<39
• KERNING	0 - -50
• SPACE AFTER BULLETS	2
• BULLETS	5
• BARLINES / HAIRLINES	1.5 pt / .5 pt
• SPACE BETWEEN HAIRLINES & BOX	2 spaces

LEGAL TEXT DEFINED	TYPE
• ACTIVE INGREDIENTS	6 pts
• USES	6 pts
• WARNINGS	6 pts
• DIRECTIONS	6 pts
• INACTIVE INGREDIENTS	6 pts
• TAMPER RESISTANT STATEMENTS	5.4 pts
• STATEMENT OF IDENTITY	6 pts

DEPARTMENT	APPROVED AS IS	APPROVED W/CORRECTION	DATE
Graphic Artist			
Packaging Engineer			
Labeling Compliance			
Medical			
Regulatory Affairs			
Marketing			
Legal			
Trademark			



Children's
Advil[®]
Suspension

Do Not Use if plastic wrap imprinted with
"CHILDREN'S ADVIL SAFETY SEALED" is broken or missing.

Child-Resistant Safety Cap - Unbreakable Bottle

NEW!
Raspberry

Children's
Advil[®]
Suspension

IBUPROFEN ORAL SUSPENSION
100 mg per 5 mL (1 Teaspoon)
Fever Reducer/Pain Reliever

Ages 2-11 years
LASTS UP TO 8 Hours

**BLUE RASPBERRY
FLAVORED
LIQUID**

4 FL. OZ. (120 mL)



UK23128-2

Children's
Advil[®]
Suspension

Drug Facts (continued)
Other Information
■ one dose lasts 6-8 hours
■ store at 20-25°C (68°-77°F)
■ see bottom of box for lot number and expiration date
Inactive Ingredients
carboxymethylcellulose, calcium citrate, edetate disodium, FD&C Blue No. 1, flavors, glycerin, microcrystalline cellulose, polyoxylane 80, purified water, sodium benzoate, sodium citrate, sorbitol solution, sucrose, xanthan gum
Questions or comments? Call toll-free 1-800-36-ADAIL or ask your pharmacist, doctor or health care professional
Keep out of reach of children. In case of overdose, get medical help or contact a Poison Control Center right away.

Keep out of reach of children. In case of overdose, get medical help or contact a Poison Control Center right away.
Directions
■ do not give more than directed
■ shake well before using
■ find right dose on chart below. If possible, use weight or age to determine right dose.
■ do not use more than 4 times a day
■ Important: Blue dosing cup to be used with Children's Advil Suspension only. Dose lines account for product remaining in cup due to thickness of suspension.
Dosing Chart

Weight (lb)	Age (yr)	Dose (tsp)
under 24 lb	under 2 yr	ask a doctor
24-35 lb	2-3 yr	1 tsp
36-47 lb	4-5 yr	1 1/2 tsp
48-59 lb	6-8 yr	2 tsp
60-71 lb	9-10 yr	2 1/2 tsp
72-85 lb	11 yr	3 tsp

FPO 0573-0174-30 5

Drug Facts (continued)
Stop use and ask a doctor if:
■ rash occurs
■ fever or pain gets worse or lasts more than 3 days
■ the child does not get any relief within first day (24 hours) of treatment.
■ stomach pain or upset gets worse or lasts
■ redness or swelling is present in the painful area
■ any new symptoms appear
Keep out of reach of children. In case of overdose, get medical help or contact a Poison Control Center right away.

Directions
■ do not give more than directed
■ shake well before using
■ find right dose on chart below. If possible, use weight or age to determine right dose.
■ do not use more than 4 times a day
■ Important: Blue dosing cup to be used with Children's Advil Suspension only. Dose lines account for product remaining in cup due to thickness of suspension.
Dosing Chart

Weight (lb)	Age (yr)	Dose (tsp)
under 24 lb	under 2 yr	ask a doctor
24-35 lb	2-3 yr	1 tsp
36-47 lb	4-5 yr	1 1/2 tsp
48-59 lb	6-8 yr	2 tsp
60-71 lb	9-10 yr	2 1/2 tsp
72-85 lb	11 yr	3 tsp

Drug Facts (continued)
Active Ingredient (in each 5 mL)
Ibuprofen 100 mg.....Fever reducer/pain reliever
Usages temporarily:
■ reduce fever
■ relieve aches and pains due to the common cold, flu, sore throat, headaches and toothaches
Warnings
Allergy alert: Ibuprofen may cause a severe allergic reaction which may include:
■ hives
■ difficulty breathing
■ asthma (wheezing)
Some throat warnings: Severe or persistent sore throat or sore throat accompanied by high fever, headache, rashes, and vomiting may be serious. Consult doctor promptly. Do not use more than 2 days or administer to children under 3 years of age unless directed by doctor.
Do not use if the child has ever had an allergic reaction to any other fever reducer/pain reliever.
Ask a doctor before use if the child has:
■ not been drinking fluids
■ stomach pain
■ problems or serious side effects from taking fever reducer or pain relievers
Ask a doctor or pharmacist before use if the child is:
■ under a doctor's care for any serious condition
■ taking any other drug
■ on any diet that contains ibuprofen, or
■ on any other pain reliever/fever reducer.
When using this product give with food or milk if stomach upset occurs

Whitehall-Robins Healthcare
Madison, NJ 07940
Made in USA
U.S. Patent No. 4,788,220



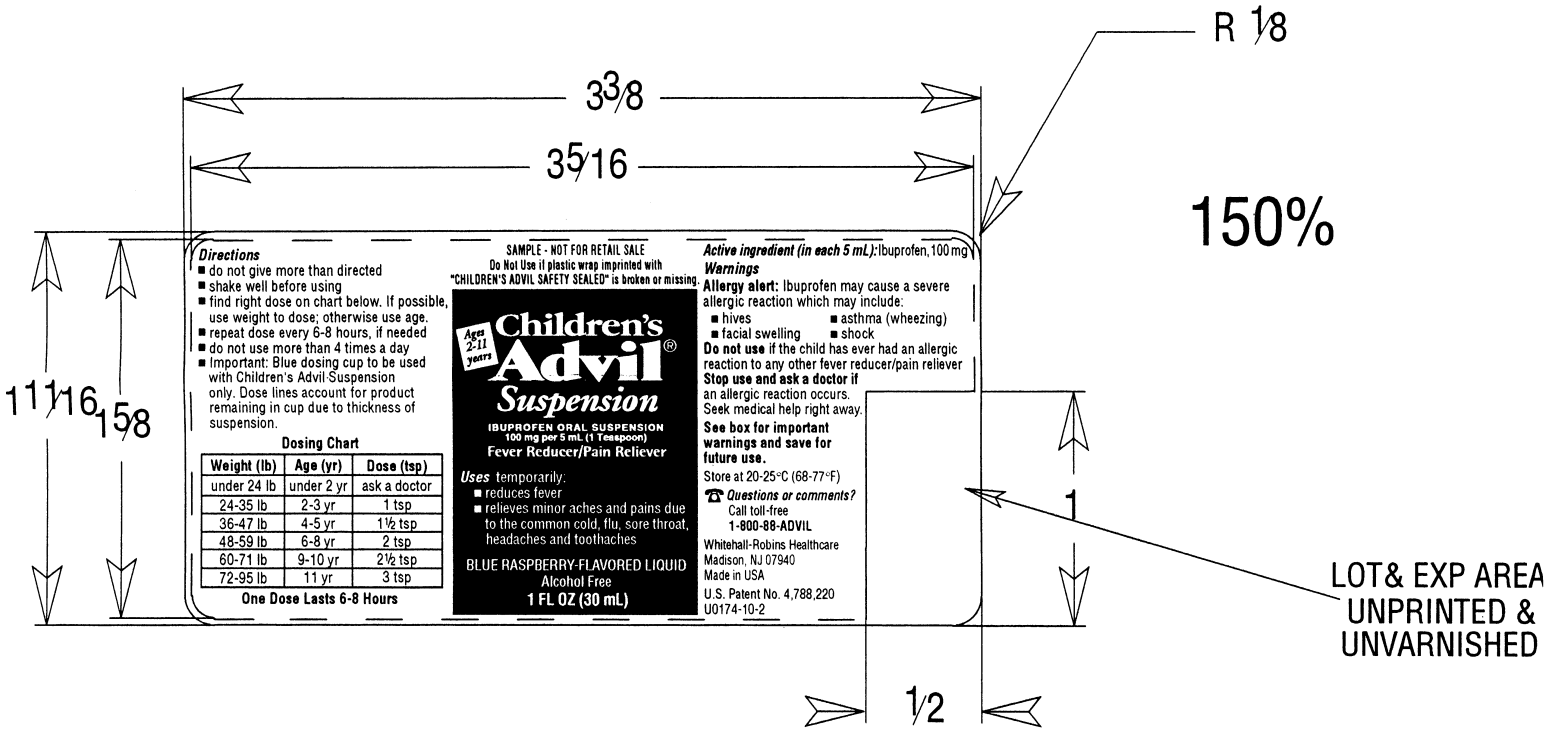
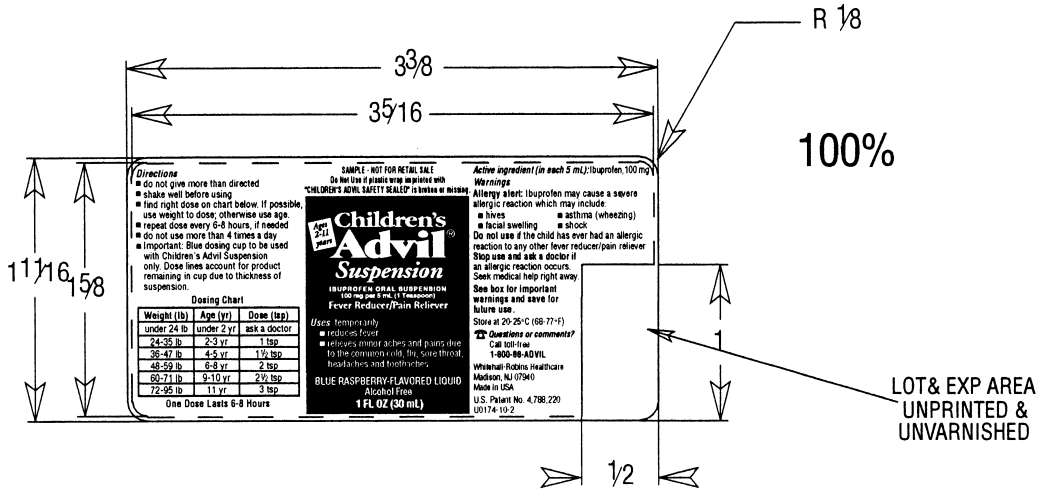
UK23128-2

Job Information	Color Legend
Date 7/29/2001	
Component Code # UK23128-2	
Drawing No. 3919 Rev.2	
Identification	
<p>Whitehall-Robins Healthcare Package Design Department Five Giraldi Farms Madison, NJ 07940 Tel (973) 660-5619 Fax (973) 660-7185</p>	
Vendor Identification	Notes:
<p>JA Grip & Co. Designers 25 Washington Street Fifth Floor Morristown, NJ 07960 (973) 377-8810</p>	RED is a combination of 100 Process Magenta plus 65 Process Yellow. CUP is DUOTONE 286 & 311

DRUG FACTS COMPONENTS	SIZE
• DRUG FACTS TITLE	9 pt
•DRUG FACTS CONTINUED	8 pt
•HEADINGS	8 pt
•SUB HEADINGS / TEXT	6 pt
•# CHARACTERS / INCH	<39
•KERNING	0 - -50
•SPACE AFTER BULLETS	2
•BULLETS	5
•BARLINES / HAIRLINES	1.5 pt / .5 pt
•SPACE BETWEEN HAIRLINES & BOX	2spaces

LEGAL TEXT DEFINED	TYPE
•ACTIVE INGREDIENTS	6 pts
•USES	6 pts
•WARNINGS	6 pts
•DIRECTIONS	6 pts
•INACTIVE INGREDIENTS	6 pts
•TAMPER RESISTANT STATEMENTS	5.7pts
•STATEMENT OF IDENTITY	7.3 pts

DEPARTMENT	APPROVED AS IS	APPROVED W/CORRECTION	DATE
Graphic Artist			
Packaging Engineer			
Labeling Compliance			
Medical			
Regulatory Affairs			
Marketing			
Legal			
Trademark			



Job Information	Color Legend
Date 7/29/01 Component Code # U0174-10-2 Drawing No. 4960	
Identification	
 Whitehall-Robins Healthcare Package Design Department Five Girarde Farms Madison, NJ 07940 Tel (973) 660-5619 Fax (973) 660-7185	
Vendor Identification	Notes:
 J.A. Grip & Co. Designers 25 Washington Street Fifth Floor Morristown, NJ 07960 (973) 377-6810	

LEGAL TEXT DEFINED	TYPE
•ACTIVE INGREDIENTS	4.5 pts
•USES	4.5 pts
•WARNINGS	4.5 pts
•DIRECTIONS	4.5 pts
•INACTIVE INGREDIENTS	n/a
•TAMPER RESISTANT STATEMENTS	4.5pts
•STATEMENT OF IDENTITY	4.5pts

DRUG FACTS COMPONENTS	SIZE
• DRUG FACTS TITLE	4.5 pt
•DRUG FACTS CONTINUED	4.5 pt
•HEADINGS	4.5 pt
•SUB HEADINGS / TEXT	4.5 pt
•# CHARACTERS / INCH	<39
•KERNING	0 - -50
•SPACE AFTER BULLETS	2
•BULLETS	3
•BARLINES / HAIRLINES	.5 pt
•SPACE BETWEEN HAIRLINES & BOX	2 spaces

DEPARTMENT	APPROVED AS IS	APPROVED W/CORRECTION	DATE
Graphic Artist			
Packaging Engineer			
Labeling Compliance			
Medical			
Regulatory Affairs			
Marketing			
Legal			
Trademark			

100%

Do Not Use if plastic wrap imprinted with "CHILDREN'S ADVIL SAFETY SEALED" is broken or missing.

Directions

- do not give more than directed
- shake well before using
- find right dose on chart below. If possible, use weight to dose; otherwise use age.
- repeat dose every 6-8 hours, if needed
- do not use more than 4 times a day
- important: Blue dosing cup to be used with Children's Advil Suspension only. Dose lines account for product remaining in cup due to thickness of suspension.

Dosing Chart

Weight (lb)	Age (yr)	Dose (tsp)
under 24 lb	under 2 yr	ask a doctor
24-35 lb	2-3 yr	1 tsp
36-47 lb	4-5 yr	1½ tsp
48-59 lb	6-8 yr	2 tsp
60-71 lb	9-10 yr	2½ tsp
72-85 lb	11 yr	3 tsp

One Dose Lasts 6-8 Hours

Ages 2-11 years

Children's Advil[®] Suspension

IBUPROFEN ORAL SUSPENSION
100 mg per 5 mL (1 Teaspoon)
Fever Reducer/Pain Reliever

Uses temporarily:

- reduces fever
- relieves minor aches and pains due to the common cold, flu, sore throat, headaches and toothaches

BLUE RASPBERRY-FLAVORED LIQUID
Alcohol Free
2 FL OZ (60 mL)

Active ingredient (in each 5 mL).....Ibuprofen, 100 mg

Warnings
Allergy alert: Ibuprofen may cause a severe allergic reaction which may include:

- hives
- asthma (wheezing)
- facial swelling
- shock

Do not use if the child has ever had an allergic reaction to any other fever reducer/pain reliever.

Stop use and ask a doctor if an allergic reaction occurs. Seek medical help right away. See box for important warnings and save for future use.

Store at 20-25°C (68-77°F)

Questions or comments?
Call toll-free 1-800-88-ADVIL or ask your pharmacist, doctor or health care professional

Whitehall-Robins Healthcare, Madison, NJ 07940
Made in USA U.S. Patent No. 4,788,220

4 3/8"

150%

Do Not Use if plastic wrap imprinted with "CHILDREN'S ADVIL SAFETY SEALED" is broken or missing.

Directions

- do not give more than directed
- shake well before using
- find right dose on chart below. If possible, use weight to dose; otherwise use age.
- repeat dose every 6-8 hours, if needed
- do not use more than 4 times a day
- important: Blue dosing cup to be used with Children's Advil Suspension only. Dose lines account for product remaining in cup due to thickness of suspension.

Dosing Chart

Weight (lb)	Age (yr)	Dose (tsp)
under 24 lb	under 2 yr	ask a doctor
24-35 lb	2-3 yr	1 tsp
36-47 lb	4-5 yr	1½ tsp
48-59 lb	6-8 yr	2 tsp
60-71 lb	9-10 yr	2½ tsp
72-85 lb	11 yr	3 tsp

One Dose Lasts 6-8 Hours

Ages 2-11 years

Children's Advil[®] Suspension

IBUPROFEN ORAL SUSPENSION
100 mg per 5 mL (1 Teaspoon)
Fever Reducer/Pain Reliever

Uses temporarily:

- reduces fever
- relieves minor aches and pains due to the common cold, flu, sore throat, headaches and toothaches

BLUE RASPBERRY-FLAVORED LIQUID
Alcohol Free
2 FL OZ (60 mL)

Active ingredient (in each 5 mL).....Ibuprofen, 100 mg

Warnings
Allergy alert: Ibuprofen may cause a severe allergic reaction which may include:

- hives
- asthma (wheezing)
- facial swelling
- shock

Do not use if the child has ever had an allergic reaction to any other fever reducer/pain reliever.

Stop use and ask a doctor if an allergic reaction occurs. Seek medical help right away. See box for important warnings and save for future use.

Store at 20-25°C (68-77°F)

Questions or comments?
Call toll-free 1-800-88-ADVIL or ask your pharmacist, doctor or health care professional

Whitehall-Robins Healthcare, Madison, NJ 07940
Made in USA U.S. Patent No. 4,788,220

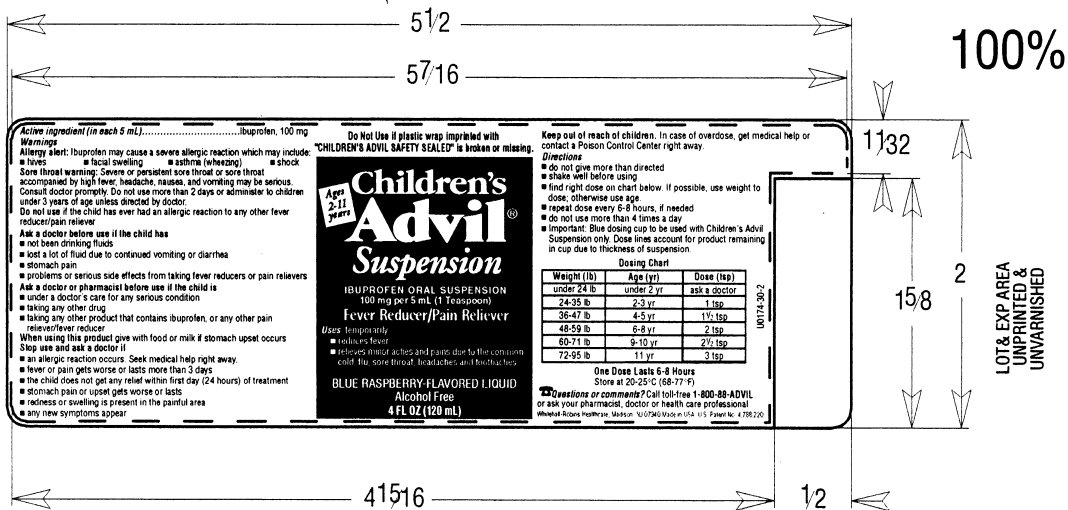
4 3/8"

Job Information	Color Legend						
Date 7/29/01	<table style="width: 100%; border-collapse: collapse;"> <tr> <td style="width: 33%; text-align: center;">PROCESS YELLOW</td> <td style="width: 33%; text-align: center;">PMS 313</td> <td style="width: 33%; text-align: center;">PMS 299</td> </tr> <tr> <td style="text-align: center;">PMS 199</td> <td style="text-align: center;">PMS 286</td> <td></td> </tr> </table>	PROCESS YELLOW	PMS 313	PMS 299	PMS 199	PMS 286	
PROCESS YELLOW		PMS 313	PMS 299				
PMS 199		PMS 286					
Component Code # U0174-20-2							
Drawing No. 4950							
Identification							
 Whitehall-Robins Healthcare Package Design Department Five Gironda Farms Madison, NJ 07940 Tel (973) 860-5819 Fax (973) 860-7185							
Vendor Identification	Notes:						
 JA.Grip&Co. Designers 25 Washington Street Fifth Floor Morristown, NJ 07960 (973) 377-6810							

LEGAL TEXT DEFINED	TYPE
•ACTIVE INGREDIENTS	4.5 pts
•USES	4.5 pts
•WARNINGS	4.5 pts
•DIRECTIONS	4.5 pts
•INACTIVE INGREDIENTS	n/a
•TAMPER RESISTANT STATEMENTS	5.0 pts
•STATEMENT OF IDENTITY	4.7 pts

DRUG FACTS COMPONENTS	SIZE
• DRUG FACTS TITLE	4.5 pt
• DRUG FACTS CONTINUED	4.5 pt
• HEADINGS	4.5 pt
• SUB HEADINGS / TEXT	4.5 pt
• # CHARACTERS / INCH	<39
• KERNING	0 - -50
• SPACE AFTER BULLETS	2
• BULLETS	3
• BARLINES / HAIRLINES	.5 pt
• SPACE BETWEEN HAIRLINES & BOX	2 spaces

DEPARTMENT	APPROVED AS IS	APPROVED W/CORRECTION	DATE
Graphic Artist			
Packaging Engineer			
Labeling Compliance			
Medical			
Regulatory Affairs			
Marketing			
Legal			
Trademark			



Active ingredient (in each 5 mL).....Ibuprofen, 100 mg

Warnings
Allergy alert: Ibuprofen may cause a severe allergic reaction which may include:
 ■ hives ■ facial swelling ■ asthma (wheezing) ■ shock
Sore throat warning: Severe or persistent sore throat or sore throat accompanied by high fever, headache, nausea, and vomiting may be serious. Consult doctor promptly. Do not use more than 2 days or administer to children under 3 years of age unless directed by doctor.
Do not use if the child has ever had an allergic reaction to any other fever reducer/pain reliever.
Ask a doctor before use if the child has
 ■ not been drinking fluids
 ■ lost a lot of fluid due to continued vomiting or diarrhea
 ■ stomach pain
 ■ problems or serious side effects from taking fever reducers or pain relievers
Ask a doctor or pharmacist before use if the child is
 ■ under a doctor's care for any serious condition
 ■ taking any other drug
 ■ taking any other product that contains ibuprofen, or any other pain reliever/fever reducer
When using this product give with food or milk if stomach upset occurs
Stop use and ask a doctor if
 ■ an allergic reaction occurs. Seek medical help right away.
 ■ fever or pain gets worse or lasts more than 3 days
 ■ the child does not get any relief within first day (24 hours) of treatment
 ■ stomach pain or upset gets worse or lasts
 ■ redness or swelling is present in the painful area
 ■ any new symptoms appear

Do Not Use if plastic wrap imprinted with "CHILDREN'S ADVIL SAFETY SEALED" is broken or missing.

Children's Advil Suspension
 IBUPROFEN ORAL SUSPENSION
 100 mg per 5 mL (1 Teaspoon)
 Fever Reducer/Pain Reliever
 BLUE RASPBERRY-FLAVORED LIQUID
 Alcohol Free
 4 FL OZ (120 mL)

Keep out of reach of children. In case of overdose, get medical help or contact a Poison Control Center right away.

Directions
 ■ do not give more than directed
 ■ shake well before using
 ■ find right dose on chart below. If possible, use weight to dose; otherwise use age.
 ■ repeat dose every 6-8 hours, if needed
 ■ do not use more than 4 times a day
 ■ Important: Blue dosing cup to be used with Children's Advil Suspension only. Dose lines account for product remaining in cup due to thickness of suspension.

Weight (lb)	Age (yr)	Dose (tsp)
under 24 lb	under 2 yr	ask a doctor
24-35 lb	2-3 yr	1 tsp
36-47 lb	4-5 yr	1 1/2 tsp
48-59 lb	6-8 yr	2 tsp
60-71 lb	9-10 yr	2 1/2 tsp
72-95 lb	11 yr	3 tsp

One Dose Lasts 6-8 Hours
 Store at 20-25°C (68-77°F)

Questions or comments? Call toll-free 1-800-88-ADVIL or ask your pharmacist, doctor or health care professional
 Whitehall-Robins Healthcare, Madison, NJ 07940 Made in USA U.S. Patent No. 4,788,220

Job Information	Color Legend						
Date 7/29/01 Component Code # U0174-30-2 Drawing No. 4950							
Identification Whitehall-Robins Healthcare Package Design Department Five Giralda Farms Madison, NJ 07940 Tel (973) 660-5619 Fax (973) 660-7185	<table border="1"> <tr> <td>PMS 199</td> <td>PMS 311</td> <td>PMS 286</td> </tr> <tr> <td>Process Yellow</td> <td>PMS 299</td> <td>PMS 313</td> </tr> </table>	PMS 199	PMS 311	PMS 286	Process Yellow	PMS 299	PMS 313
PMS 199	PMS 311	PMS 286					
Process Yellow	PMS 299	PMS 313					
Vendor Identification J.A.Grip&Co. Designers 25 Washington Street 28th Floor Morristown, NJ 07960 (973) 377-6810	Notes:						

LEGAL TEXT DEFINED	TYPE
• ACTIVE INGREDIENTS	4.5 pts
• USES	4.5 pts
• WARNINGS	4.5 pts
• DIRECTIONS	4.5 pts
• INACTIVE INGREDIENTS	n/a
• TAMPER RESISTANT STATEMENTS	5.0 pts
• STATEMENT OF IDENTITY	4.7 pts

DRUG FACTS COMPONENTS	SIZE
• DRUG FACTS TITLE	4.5 pt
• DRUG FACTS CONTINUED	4.5 pt
• HEADINGS	4.5 pt
• SUB HEADINGS / TEXT	4.5 pt
• # CHARACTERS / INCH	<39
• KERNING	0 - -50
• SPACE AFTER BULLETS	2
• BULLETS	3
• BARLINES / HAIRLINES	.5 pt
• SPACE BETWEEN HAIRLINES & BOX	2 spaces

DEPARTMENT	APPROVED AS IS	APPROVED W/CORRECTION	DATE
Graphic Artist			
Packaging Engineer			
Labeling Compliance			
Medical			
Regulatory Affairs			
Marketing			
Legal			
Trademark			

**This is a representation of an electronic record that was signed electronically and
this page is the manifestation of the electronic signature.**

/s/

Linda Katz
8/2/01 08:37:42 PM