



NO TEXT ZONE
NO COLOR ZONE

Drug Facts

Active ingredient (in each 5 mL)	Purpose
Loratadine 5 mg	Antihistamine

Uses
temporarily relieves these symptoms due to hay fever or other upper respiratory allergies:
 ■ runny nose ■ itchy, watery eyes ■ sneezing
 ■ itching of the nose or throat

Warnings
Do not use if you have ever had an allergic reaction to this product or any of its ingredients.
Ask a doctor before use if you have liver or kidney disease. Your doctor should determine if you need a different dose.
When using this product do not take more than directed. Taking more than directed may cause drowsiness.
Stop use and ask a doctor if an allergic reaction to this product occurs. Seek medical help right away.
If pregnant or breast-feeding, ask a health professional before use.
Keep out of reach of children. In case of overdose, get medical help or contact a Poison Control Center right away.

Directions
 ■ use only with enclosed dosing cup
 ■ mL = milliliter

Drug Facts (continued)

adults and children 6 years and over	10 mL daily; do not take more than 10 mL in 24 hours
children 2 to under 6 years of age	5 mL daily; do not take more than 5 mL in 24 hours
children under 2 years of age	ask a doctor
consumers with liver or kidney disease	ask a doctor

Other information
 ■ each 5 mL contains: sodium 5.5 mg
 ■ do not use if tape imprinted with "SEALED FOR YOUR PROTECTION" on top and bottom flaps of carton is not intact
 ■ store between 20° to 25°C (68° to 77°F)

Inactive ingredients
 edetate disodium, flavors, glycerin, maltitol, menthol, phosphoric acid, propylene glycol, purified water, sodium benzoate, sodium phosphate, sorbitol, sucralose

Questions or comments?
 1-800-CLARITIN (1-800-252-7484)



Bayer, the Bayer Cross, Claritin and the Claritin Vista are registered trademarks of Bayer.
 © 2023 Bayer.
 Dist by: Bayer HealthCare LLC
 Whippany, NJ 07981
 Made in India.
 Pat.: patents.livewell.bayer.com
 Bayer

NO TEXT ZONE
NO COLOR ZONE

Non-Drowsy®
Claritin®
Liquid

SAMPLE
NOT FOR SALE

Non-Drowsy®
Claritin®
loratadine oral solution
5 mg/5 mL antihistamine
Liquid

Indoor and Outdoor Allergies

24 HOUR Relief of:
 • Sneezing
 • Runny Nose
 • Itchy, Watery Eyes
 • Itchy Throat or Nose



1 FL OZ (30 mL)
 * When taken as directed.
 See Drug Facts Panel.

NO TEXT ZONE
NO COLOR ZONE

00000000

LOT:
 EXP:

NO TEXT ZONE
NO COLOR ZONE

Sample-Not for sale

Non-Drowsy[®]
Claritin[®]
 loratadine oral solution
 5 mg/5 mL antihistamine

Liquid
 24 HOUR

Indoor & Outdoor Allergies
 Cooling Honey Flavored

 When taken as directed. See Drug Facts Panel.
 1 FL OZ (30 mL)

Active ingredient (in each 5 mL) Loratadine 5 mg Antihistamine

Purpose Uses temporarily relieves these symptoms due to hay fever or other upper respiratory allergies:
 ■ runny nose ■ itchy, watery eyes ■ sneezing ■ itching of the nose or throat

Warnings Do not use if you have ever had an allergic reaction to this product or any of its ingredients. Ask a doctor before use if you have liver or kidney disease. Your doctor may advise you to avoid grapefruit juice while taking this product. Do not take more than directed. Taking more than directed may cause drowsiness. Stop use and ask a doctor if an allergic reaction to this product occurs. Seek medical help right away.

If pregnant or breast-feeding, ask a health professional before use. **Keep out of reach of children.** In case of overdose, get medical help or contact a Poison Control Center right away.

Directions Use only with enclosed dosing cup

Adults and children 6 years and over: 10 mL daily, do not take more than 10 mL in 24 hours; children 2 to under 6 years of age: 5 mL daily, do not take more than 5 mL in 24 hours; children under 2 years of age: ask a doctor

Other information ■ each 5 mL contains sodium 6.5 mg ■ do not use if tape imprintee with "SEALED FOR YOUR PROTECTION" on top and bottom legs of carton is not intact ■ store at controlled room temperature (20° to 25°C) (68° to 77°F)

Other medications may interact with loratadine. Tell your doctor about all the medicines you are taking, including over-the-counter medicines, vitamins, sodium bicarbonate, sodium phosphate, sodium, sucrose

Questions or comments? 1-800-CLARITIN (1-800-232-7484)

© 2023 Bayer
 Dist by: Bayer HealthCare LLC,
 Whippany, NJ 07981
 00000000

00000000

LOT:
 EXP:



Drug Facts

Active ingredient (in each 5 mL)	Purpose
Loratadine 5 mg	Antihistamine

Uses
temporarily relieves these symptoms due to hay fever or other upper respiratory allergies:

- runny nose
- itchy, watery eyes
- sneezing
- itching of the nose or throat

Warnings
Do not use if you have ever had an allergic reaction to this product or any of its ingredients.
Ask a doctor before use if you have liver or kidney disease. Your doctor should determine if you need a different dose.
When using this product do not take more than directed. Taking more than directed may cause drowsiness.
Stop use and ask a doctor if an allergic reaction to this product occurs. Seek medical help right away.
If pregnant or breast-feeding, ask a health professional before use.
Keep out of reach of children. In case of overdose, get medical help or contact a Poison Control Center right away.

Drug Facts (continued)

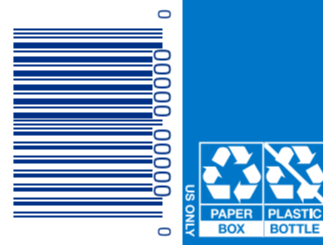
Directions
■ use only with enclosed dosing cup
■ mL = milliliter

adults and children 6 years and over	10 mL daily; do not take more than 10 mL in 24 hours
children 2 to under 6 years of age	5 mL daily; do not take more than 5 mL in 24 hours
children under 2 years of age	ask a doctor
consumers with liver or kidney disease	ask a doctor

Other information
■ each 5 mL contains: sodium 5.5 mg
■ do not use if tape imprinted with "SEALED FOR YOUR PROTECTION" on top and bottom flaps of carton is not intact
■ store between 20° to 25°C (68° to 77°F)

Inactive ingredients
edetate disodium, flavors, glycerin, maltitol, menthol, phosphoric acid, propylene glycol, purified water, sodium benzoate, sodium phosphate, sorbitol, sucralose

Questions or comments?
1-800-CLARITIN (1-800-252-7484)



Non-Drowsy
Claritin
Liquid

Non-Drowsy
Claritin
loratadine oral solution
5 mg/5 mL antihistamine
Liquid

- 24 Hour Relief
- Dye-Free
- No Added Alcohol
- No Added Sugar

Indoor and Outdoor Allergies

24 HOUR Relief of:

- Sneezing
- Runny Nose
- Itchy, Watery Eyes
- Itchy Throat or Nose



Cooling Honey Flavored

2.7 FL OZ (80 mL)

Dist by: Bayer HealthCare LLC, Whippany, NJ 07981 Made in India.
Bayer, the Bayer Cross, Claritin and the Claritin Vista are registered trademarks of Bayer. © 2023 Bayer. 00000000
Pat.: patents.livwell.bayer.com



LOT:
EXP:

00000000



Active Ingredient (in each 5 mL)

Loratadine 5 mg. Antihistamine.
Uses temporarily relieves these symptoms due to hay fever or other upper respiratory allergies:

■ runny nose ■ itchy, watery eyes ■ sneezing
■ itching of the nose or throat

Warnings: Do not use if you have ever had an allergic reaction to this product or any of its ingredients. **Ask a doctor before use if you have** liver or kidney disease. Your doctor should determine if you need a different dose. **When using this product** do not take more than directed. Taking more than directed may cause drowsiness. **Stop use and ask a doctor if** an allergic reaction to this product occurs. Speak medical help right away, if pregnant or breast-feeding, ask a health care provider before use, or if you are taking other medicines. In case of overdose, get medical help or contact a Poison Control Center right away.

Directions

■ use only with enclosed dosing cup
■ mL = milliliter
adults and children 6 years and over: 10 mL daily, do not take more than 10 mL in 24 hours;
children 2 to under 6 years of age: 5 mL daily, do not take more than 5 mL in 24 hours;
children under 2 years of age: ask a doctor

Other Information ■ each 5 mL contains: 5 mg of loratadine hydrochloride, 10 mg of polyethylene glycol 400, 10 mg of polyethylene glycol 600, 10 mg of polyethylene glycol 800, 10 mg of polyethylene glycol 1000, 10 mg of polyethylene glycol 1500, 10 mg of polyethylene glycol 2000, 10 mg of polyethylene glycol 3000, 10 mg of polyethylene glycol 4000, 10 mg of polyethylene glycol 5000, 10 mg of polyethylene glycol 6000, 10 mg of polyethylene glycol 7000, 10 mg of polyethylene glycol 8000, 10 mg of polyethylene glycol 9000, 10 mg of polyethylene glycol 10000, 10 mg of polyethylene glycol 12000, 10 mg of polyethylene glycol 15000, 10 mg of polyethylene glycol 20000, 10 mg of polyethylene glycol 25000, 10 mg of polyethylene glycol 30000, 10 mg of polyethylene glycol 40000, 10 mg of polyethylene glycol 50000, 10 mg of polyethylene glycol 60000, 10 mg of polyethylene glycol 70000, 10 mg of polyethylene glycol 80000, 10 mg of polyethylene glycol 90000, 10 mg of polyethylene glycol 100000, 10 mg of polyethylene glycol 120000, 10 mg of polyethylene glycol 150000, 10 mg of polyethylene glycol 200000, 10 mg of polyethylene glycol 250000, 10 mg of polyethylene glycol 300000, 10 mg of polyethylene glycol 400000, 10 mg of polyethylene glycol 500000, 10 mg of polyethylene glycol 600000, 10 mg of polyethylene glycol 700000, 10 mg of polyethylene glycol 800000, 10 mg of polyethylene glycol 900000, 10 mg of polyethylene glycol 1000000.
SEAL FOR YOUR PROTECTION: on top and bottom flaps of carton is not intact ■ store between 20° to 25°C (68° to 77°F)

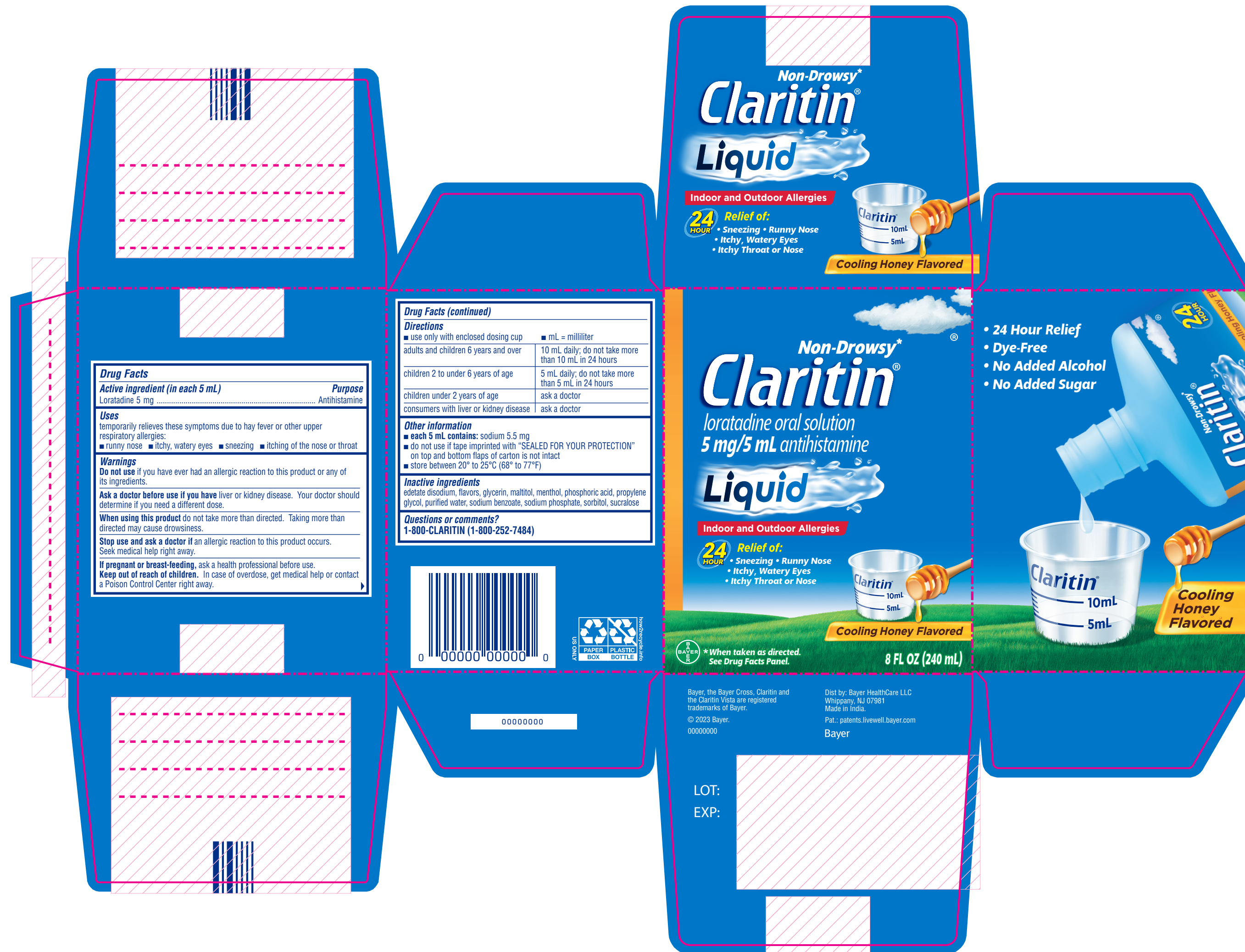
Inactive ingredients edelate disodium, flavors, glycerin, maltitol, menthol, phosphoric acid, propylene glycol, purified water, sodium benzoate, sodium phosphate, sorbitol, sucralose
Questions or comments? 1-800-CLARITIN (1-800-252-1484)

© 2023 Bayer.
Dist. by: Bayer HealthCare LLC, Whippany, NJ 07887
00000000

00000000

LOT:

EXP:





Active Ingredient
(in each 5 mL)

Loratadine 5 mg

Antihistamine

Temporarily relieves these

symptoms due to hay fever or other

upper respiratory allergies:

■ runny nose ■ itchy, watery eyes

■ sneezing

■ itching of the nose or throat

Warnings Do not use if you have ever

had an allergic reaction to this product or

any of its ingredients. **Ask a doctor**

before use if you have liver or kidney

disease. Your doctor should determine if

this product do not take more than

directed. Taking more than directed may

cause drowsiness. **Stop use and ask a**

doctor if an allergic reaction to this

product occurs. Seek medical help right

away. **If pregnant or breast-feeding,** ask

a health professional before use. **Keep**

out of reach of children. In case of

overdose, get medical help or contact a

Poison Control Center right away.

Directions

■ use only with enclosed dosing cup

■ mL = milliliter

adults and children 6 years and over:

■ 10 mL daily, do not take more than 10 mL

in 24 hours;

children 2 to under 6 years of age: 5 mL

daily, do not take more than 5 mL in

24 hours;

children under 2 years of age: ask a doctor

Other information ■ each 5 mL

contains sodium 5.5 mg ■ do not use if

these are marked with "SEALED FOR YOUR

PROTECTION" on top and bottom flaps of

carbon tetrachloride ■ store between

20° to 25°C (68° to 77°)

Inactive ingredients: edelate disodium,

flavors, glycerin, maltitol, menthol,

phosphoric acid, propylene glycol,

purified water, sodium benzoate, sodium

phosphate, sorbitol, sucralose

Questions or comments?

1-800-CLARITIN (1-800-252-7494)

© 2023 Bayer.

Dist. by:

Bayer HealthCare LLC

Whippany, NJ 07981

00000000

LOT:

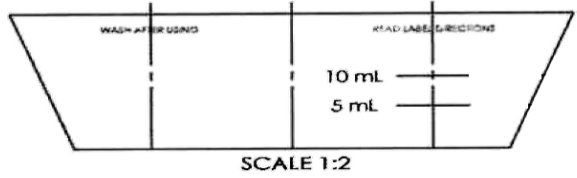
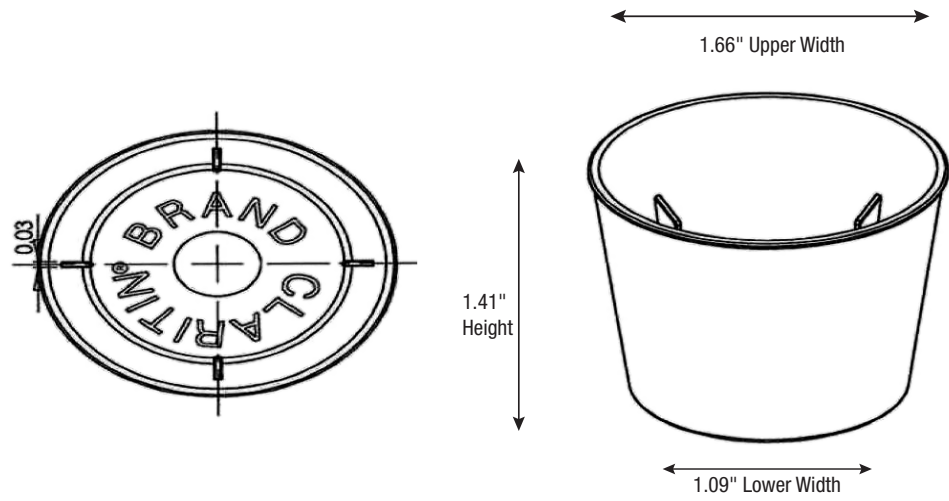
EXP:



00000000

SEALED FOR YOUR PROTECTION
SEALED FOR YOUR PROTECTION
SEALED FOR YOUR PROTECTION
SEALED FOR YOUR PROTECTION
SEALED FOR YOUR PROTECTION
SEALED FOR YOUR PROTECTION
SEALED FOR YOUR PROTECTION
SEALED FOR YOUR PROTECTION
SEALED FOR YOUR PROTECTION
SEALED FOR YOUR PROTECTION

APO: P0914-09
08.12.09





1.53" (+/- .010") Upper Width

1.325" (+/- .010") Height



ACTUAL SIZE

1.25" (+/- .010") Lower Width

