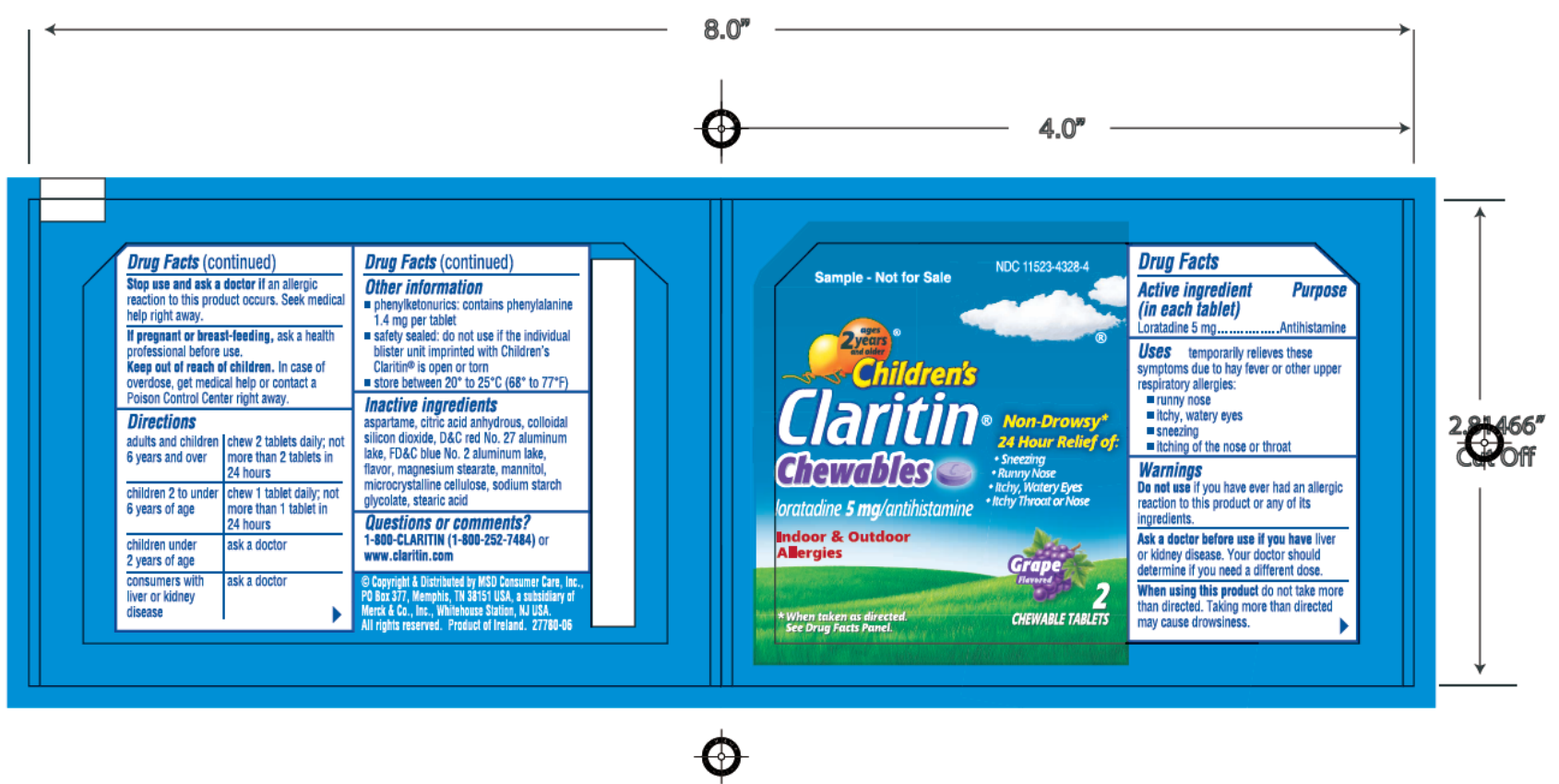


(b) (4)

(b) (4)



<p>Drug Facts (continued) Stop use and ask a doctor if an allergic reaction to this product occurs. Seek medical help right away. If pregnant or breast-feeding, ask a health professional before use. Keep out of reach of children. In case of overdose, get medical help or contact a Poison Control Center right away.</p> <p>Directions</p> <table border="1"> <tr> <td>adults and children 6 years and over</td> <td>chew 2 tablets daily; not more than 2 tablets in 24 hours</td> </tr> <tr> <td>children 2 to under 6 years of age</td> <td>chew 1 tablet daily; not more than 1 tablet in 24 hours</td> </tr> <tr> <td>children under 2 years of age</td> <td>ask a doctor</td> </tr> <tr> <td>consumers with liver or kidney disease</td> <td>ask a doctor</td> </tr> </table>		adults and children 6 years and over	chew 2 tablets daily; not more than 2 tablets in 24 hours	children 2 to under 6 years of age	chew 1 tablet daily; not more than 1 tablet in 24 hours	children under 2 years of age	ask a doctor	consumers with liver or kidney disease	ask a doctor	<p>Drug Facts (continued) Other information</p> <ul style="list-style-type: none"> phenylethanolamines: contains phenylalanine 1.4 mg per tablet safety sealed: do not use if the individual blister unit imprinted with Children's Claritin® is open or torn store between 20° to 25°C (68° to 77°F) <p>Inactive ingredients aspartame, citric acid anhydrous, colloidal silicon dioxide, D&C red No. 27 aluminum lake, FD&C blue No. 2 aluminum lake, flavor, magnesium stearate, mannitol, microcrystalline cellulose, sodium starch glycolate, stearic acid</p> <p>Questions or comments? 1-800-CLARITIN (1-800-252-7484) or www.claritin.com</p> <p><small>© Copyright & Distributed by MSD Consumer Care, Inc., PO Box 377, Memphis, TN 38151 USA, a subsidiary of Merck & Co., Inc., Whitehouse Station, NJ USA. All rights reserved. Product of Ireland. 27780-06</small></p>	
adults and children 6 years and over	chew 2 tablets daily; not more than 2 tablets in 24 hours										
children 2 to under 6 years of age	chew 1 tablet daily; not more than 1 tablet in 24 hours										
children under 2 years of age	ask a doctor										
consumers with liver or kidney disease	ask a doctor										
<p>Sample - Not for Sale NDC 11523-4328-4</p> <p>2 years and older</p> <p>Children's Claritin Chewables</p> <p>loratadine 5 mg/antihistamine</p> <p>Indoor & Outdoor Allergies</p> <p>Non-Drowsy* 24 Hour Relief of:</p> <ul style="list-style-type: none"> Sneezing Runny Nose Itchy, Watery Eyes Itchy Throat or Nose <p>Grape Flavored</p> <p>2 CHEWABLE TABLETS</p> <p><small>*When taken as directed. See Drug Facts Panel.</small></p>		<p>Drug Facts</p> <table border="1"> <thead> <tr> <th>Active ingredient (in each tablet)</th> <th>Purpose</th> </tr> </thead> <tbody> <tr> <td>Loratadine 5 mg</td> <td>Antihistamine</td> </tr> </tbody> </table> <p>Uses temporarily relieves these symptoms due to hay fever or other upper respiratory allergies:</p> <ul style="list-style-type: none"> runny nose itchy, watery eyes sneezing itching of the nose or throat <p>Warnings Do not use if you have ever had an allergic reaction to this product or any of its ingredients. Ask a doctor before use if you have liver or kidney disease. Your doctor should determine if you need a different dose. When using this product do not take more than directed. Taking more than directed may cause drowsiness.</p>		Active ingredient (in each tablet)	Purpose	Loratadine 5 mg	Antihistamine				
Active ingredient (in each tablet)	Purpose										
Loratadine 5 mg	Antihistamine										



Children's Claritin Chewables
loratadine 5 mg/antihistamine

Drug Facts	Drug Facts (continued)
Active ingredient (in each tablet) Purpose Loratadine 5mgAntihistamine	Other information phenylethanolamines; contains phenylalanine 1.4 mg per tablet
Uses temporarily relieves these symptoms due to hay fever or other upper respiratory allergies: ■ runny nose ■ itchy, watery eyes ■ sneezing ■ itching of the nose or throat	■ safety sealed: do not use if the individual blister unit is open or torn ■ store between 20° to 25°C (68° to 77°F)
Warnings Do not use if you have ever had an allergic reaction to this product or any of its ingredients. Ask a doctor before use if you have liver or kidney disease. Your doctor should determine if you need a different dose. When using this product do not take more than directed. Taking more than directed may cause drowsiness. Stop use and ask a doctor if an allergic reaction to this product occurs. Seek medical help right away. If pregnant or breast-feeding , ask a health professional before use. Keep out of reach of children. In case of overdose, get medical help or contact a Poison Control Center right away.	Inactive ingredients aspartame, citric acid anhydrous, colloidal silicon dioxide, D&C red No. 27 aluminum lake, FD&C blue No. 2 aluminum lake, flavor, magnesium stearate, mannitol, microcrystalline cellulose, sodium starch glycolate, stearic acid
	Questions or comments? 1-800-CLARITIN (1-800-252-7484) or www.claritin.com
Directions adults and children 6 years and over children 2 to under 6 years of age children under 2 years of age consumers with liver or kidney disease	chew 2 tablets daily; not more than 2 tablets in 24 hours chew 1 tablet daily; not more than 1 tablet in 24 hours ask a doctor ask a doctor

LOT & EXP

The graphics on this product constitute trademarks of MSD Consumer Care, Inc.
© Copyright & Distributed by MSD Consumer Care, Inc., PO Box 377, Memphis, TN 38151 USA, a subsidiary of Merck & Co., Inc., Whitehouse Station, NJ USA. All rights reserved. Product of Ireland. 36505-04

(b) (4)

S-13-019r1 Blistercard



The graphics on the front panel constitute trademarks of MSD Consumer Care, Inc. © Copyright & Distributed by MSD Consumer Care, Inc., PO Box 377, Memphis, TN 38151 USA, a subsidiary of Merck & Co., Inc., Whitehouse Station, NJ USA. All rights reserved. Product of Ireland. 32435-00



TTM # 809810
4 1100 80981 0

Drug Facts

Active ingredient (in each tablet) Purpose
 Loratadine 5 mg.....Antihistamine

Uses
 temporarily relieves these symptoms due to hay fever or other upper respiratory allergies: ■ sneezing ■ itchy, watery eyes ■ itchy, watery nose

Warnings
 Do not use if you have ever had an allergic reaction to this product or any of its ingredients.
 Ask a doctor before use if you have liver or kidney disease. Your doctor should determine if you need a different dose.
 When using this product do not take more than directed. Taking more than directed may cause drowsiness.
 Stop use and ask a doctor if an allergic reaction to this product occurs. Seek medical help right away.
 If pregnant or breast-feeding, ask a health professional before use.
 Keep out of reach of children. In case of overdose, get medical help or contact a Poison Control Center right away.

Drug Facts (continued)

Directions
 adults and children chew 2 tablets daily; not more than 2 tablets in 24 hours
 6 years and over chew 1 tablet daily; not more than 1 tablet in 24 hours
 children 2 to under 6 years of age ask a doctor
 children under 2 years of age ask a doctor

Other information
 ■ phenylephrine: contains phenylephrine 1.4 mg per tablet
 ■ safety sealed: do not use if the individual blister unit is imprinted with Children's Claritin® is open or torn
 ■ store between 20° to 25°C (68° to 77°F)

Inactive ingredients
 aspartame, citric acid anhydrous, colloidal silicon dioxide, D&C red No. 27 aluminum lake, FD&C blue No. 2 aluminum lake, flavor, magnesium stearate, mannitol, microcrystalline cellulose, sodium starch glycolate, stearic acid

Questions or comments?
 1-800-CLARITIN (1-800-252-7484) or www.claritin.com

50 CHEWABLE TABLETS



loratadine 5 mg/antihistamine



Children's Claritin Chewables
 loratadine 5 mg/antihistamine

NDC 11523-4328-5

ages 2 years and older

50 CHEWABLE TABLETS

Indoor & Outdoor Allergies



50 CHEWABLE TABLETS



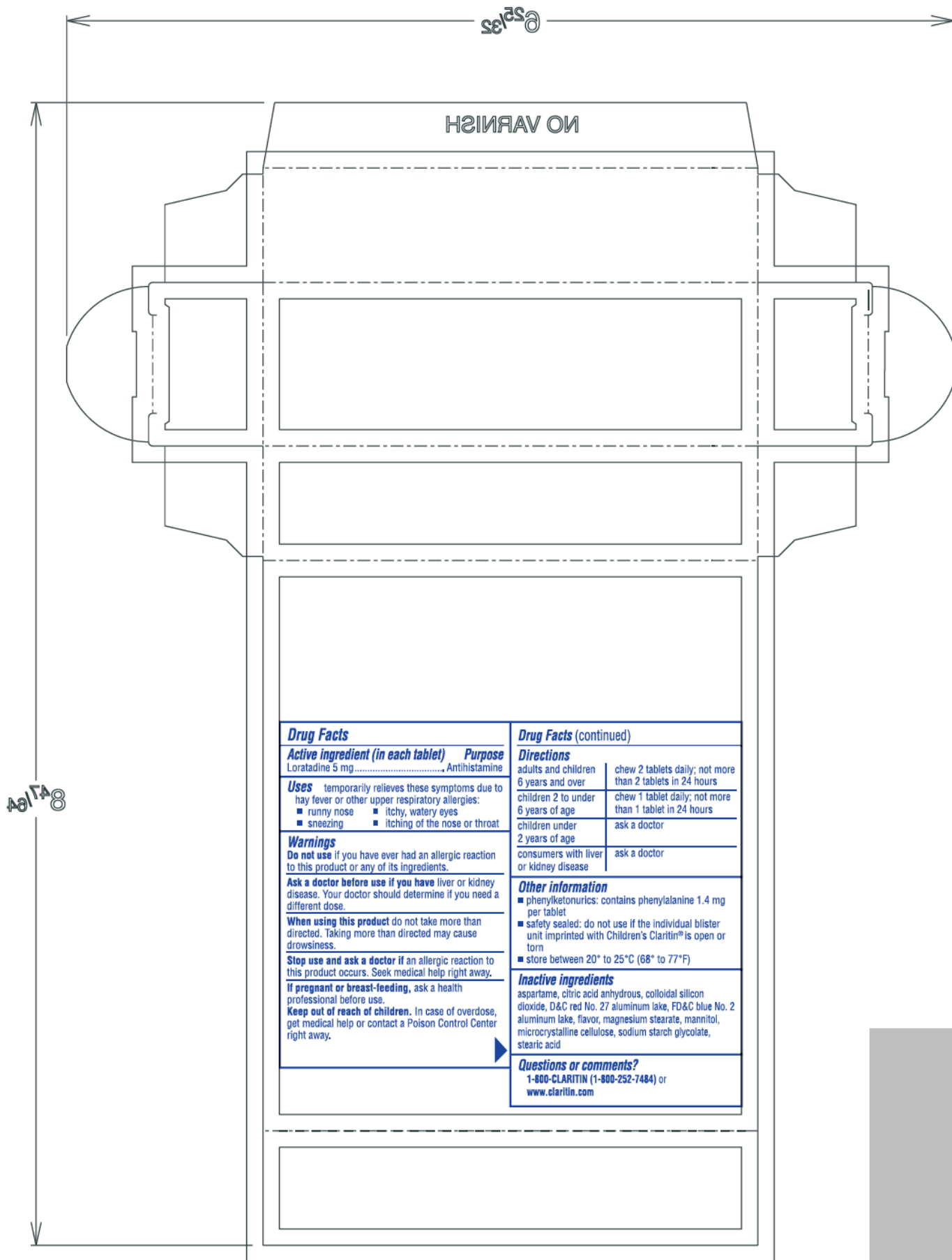
6.0625



6



07.14.14 mpls



(b) (4)