



Drug Facts (continued)

If pregnant or breast-feeding:
 ■ if breast-feeding: not recommended
 ■ if pregnant: ask a health professional before use.
Keep out of reach of children. In case of overdose, get medical help or contact a Poison Control Center right away. (1-800-222-1222)

Directions
 ■ use only with enclosed dosing cup
 ■ find right dose on chart below
 ■ mL = milliliter

adults and children 6 years and over	5 mL or 10 mL, once daily depending upon severity of symptoms; do not take more than 10 mL in 24 hours.
adults 65 years and over	5 mL once daily; do not take more than 5 mL in 24 hours.
children 2 to under 6 years of age	2.5 mL once daily. If needed, dose can be increased to a maximum of 5 mL once daily or 2.5 mL every 12 hours. Do not give more than 5 mL in 24 hours.
children under 2 years of age	ask a doctor
consumers with liver or kidney disease	ask a doctor

Other information
 ■ store between 20° to 25° C (68° to 77° F)

Drug Facts (continued)

■ do not use if carton is opened or if carton tape or bottle wrap imprinted "SAFETY SEAL®" is broken or missing
 ■ see bottom panel for lot number and expiration date

Inactive ingredients
 anhydrous citric acid, flavors, propylene glycol, purified water, sodium benzoate, sorbitol solution, sucralose

Questions?
 call 1-800-343-7805 (toll-free) or 215-273-8755 (collect)

Dosing Cup Included
 Dosing cup should be washed and left to air dry after each use.

3 0045-0209-11 5

NDC 50580-730-01

Children's ZYRTEC
 Cetirizine HCl 1 mg/mL oral solution antihistamine
ALLERGY
Indoor & Outdoor Allergies

24 hour Relief of
 Sneezing
 Runny Nose
 Itchy, Watery Eyes
 Itchy Throat or Nose

2 yrs. & older
Grape Syrup
 Dye-free • Sugar-free

1 fl oz (30 ml) Dosing Cup Included

The trade dress of this ZYRTEC® package is subject to trademark protection.

LOT: _____

EXP: _____

Active ingredient made in Switzerland.
 Distributed by: McNeil Consumer Healthcare
 Division of McNEIL-PPC, INC.
 Fort Washington, PA 19034 USA 00000000
 ©McNEIL-PPC, INC. 2015 www.zyrtec.com

Important: Read all product information before using. Keep this box for important information. This product is intended for use in children.

Drug Facts

Active ingredient (in each 5 mL)	Purpose
Cetirizine HCl 5 mg	Antihistamine

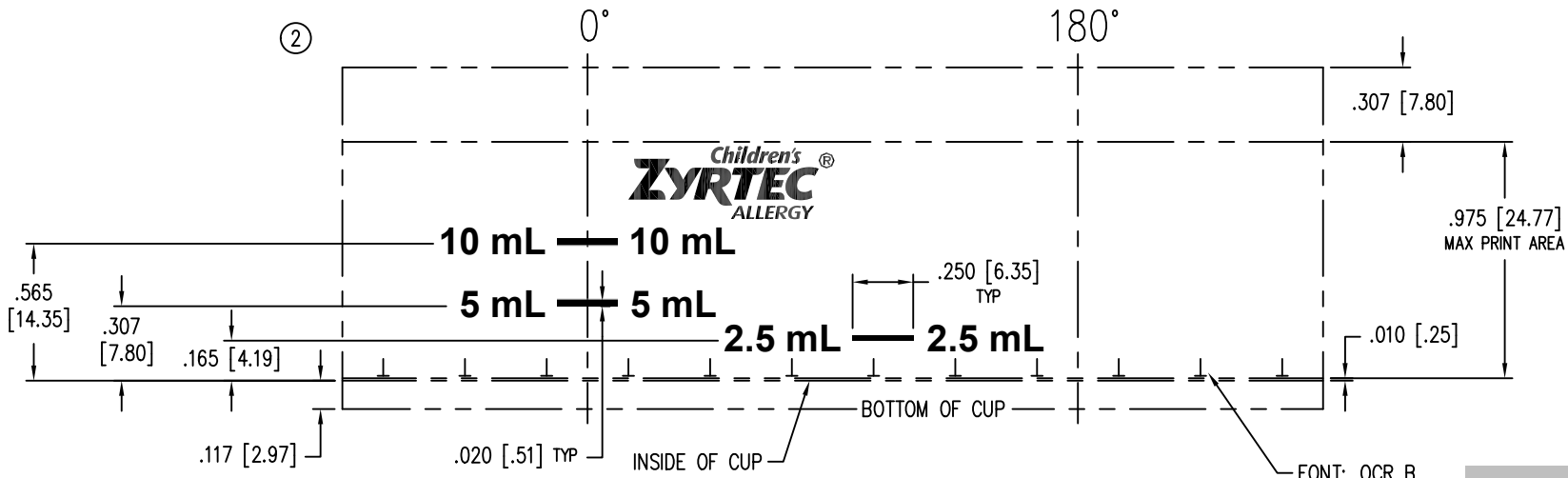
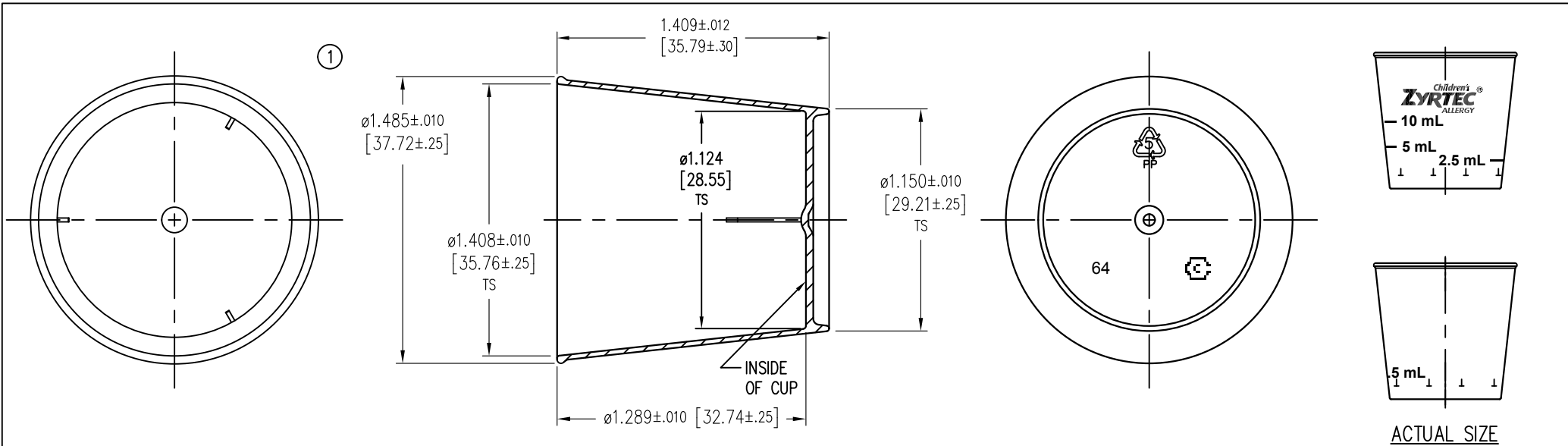
Uses
 temporarily relieves these symptoms due to hay fever or other upper respiratory allergies:
 ■ runny nose ■ sneezing ■ itchy, watery eyes
 ■ itching of the nose or throat

Warnings
Do not use if you have ever had an allergic reaction to this product or any of its ingredients or to an antihistamine containing hydroxyzine.
Ask a doctor before use if you have liver or kidney disease. Your doctor should determine if you need a different dose.
Ask a doctor or pharmacist before use if you are taking tranquilizers or sedatives.

When using this product
 ■ drowsiness may occur ■ avoid alcoholic drinks
 ■ alcohol, sedatives, and tranquilizers may increase drowsiness
 ■ be careful when driving a motor vehicle or operating machinery

Stop use and ask a doctor if an allergic reaction to this product occurs. Seek medical help right away.

USA
 000000
 904



CALIBRATION HEIGHTS ARE FROM INSIDE OF CUP TO BOTTOM OF LINE $\pm .015$ [.38]

NOTES:

1. DIMENSIONS SHOWN IN [] ARE EXPRESSED IN MM

(b) (4)

(b) (4)

(b) (4)

This is a representation of an electronic record that was signed electronically and this page is the manifestation of the electronic signature.

/s/

THERESA M MICHELE
04/14/2016