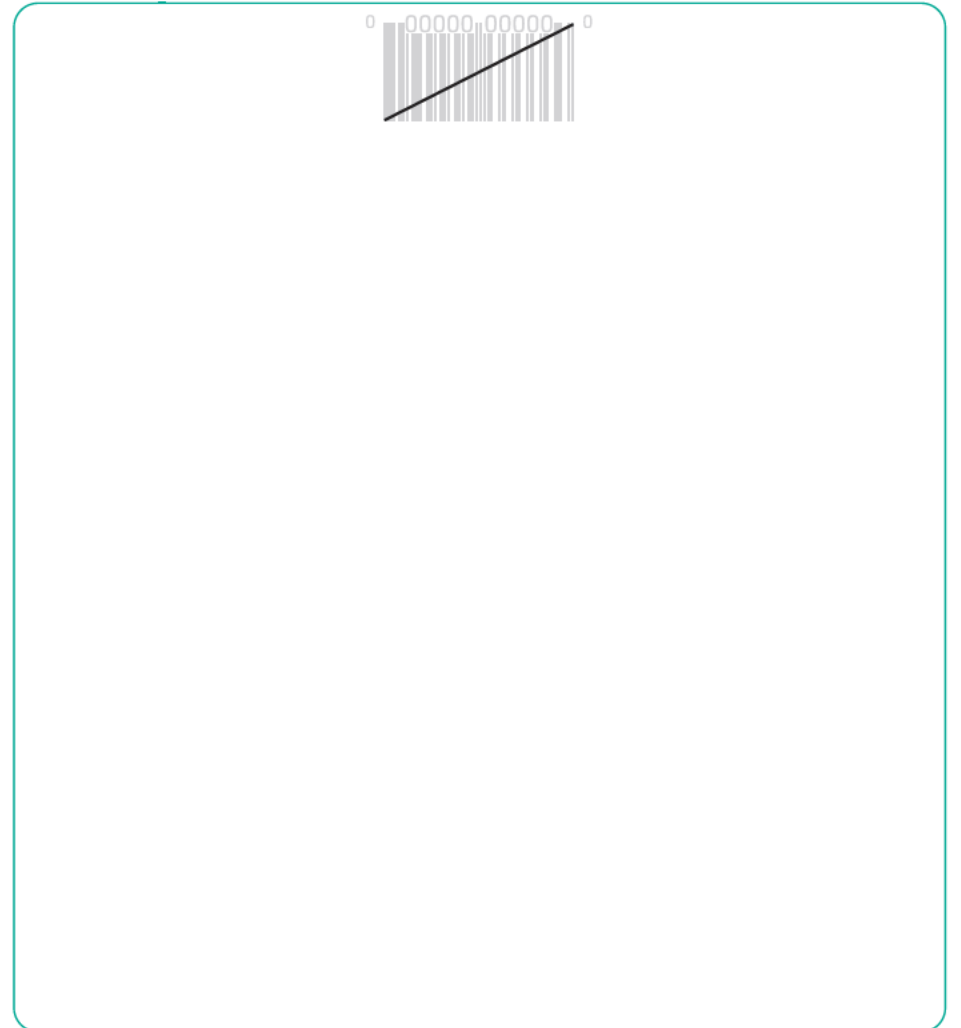


Add a butterfly graphic to the Children's Flonase brand logo



Include the graphic of a kid and a pet next to the image of Flonase bottle



(b) (4)

Clean\_Flonase Children's\_Lid

**REGULATORY LEGEND**

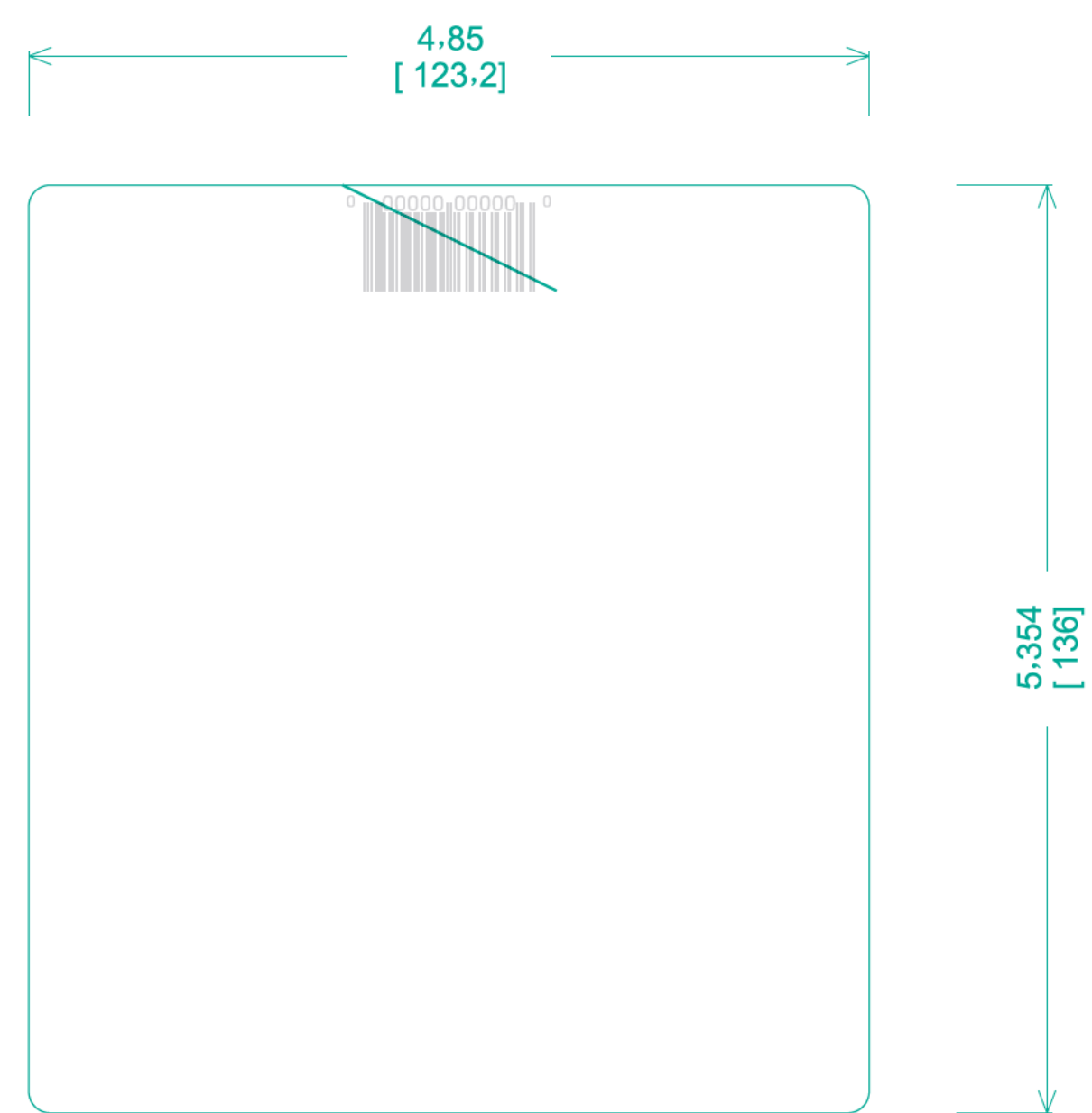
	Actual Size
DRUG FACTS TITLE	N/A
DRUG FACTS CONTINUED	N/A
HEADINGS	N/A
SUBHEADINGS/BODY TEXT	N/A
LEADING	N/A
BULLETS	N/A
# OF CHARACTERS PER INCH	N/A
SPACE BEFORE BULLET	N/A
BARLINES, HAIRLINES	N/A
SPACE BETWEEN HAIRLINES AND BOX END	N/A
STATEMENT OF IDENTITY (WHAT IT IS) Vertical	N/A
STATEMENT OF IDENTITY (WHAT IT IS) Horizontal	14.5 pt

	<p><b>children's</b> <b>FLONASE</b> ALLERGY RELIEF</p> <p>Fluticasone Propionate Nasal Spray 50 mcg Per Spray Allergy Symptom Reliever (Glucocorticoid)*</p>	<p><b>IMPORTANT:</b> Read Drug Facts label and enclosed materials for important information. Children 4-11: 1 spray per nostril per day. Talk to a doctor if your child needs to use for longer than two months a year. Keep out of reach of children. Only for use in the nose, do not spray into eyes. Store between 4°-30°C (39°-86°F) 72 sprays 0.38 fl oz (11.1 mL)</p>	<p>Shake gently before each use. Dist. by: HALEON Warren, NJ 07059 Made in Canada D2A000000</p>	<p><b>LOT/EXP</b></p>	
--	--	--	---	-----------------------	--

## Front side view

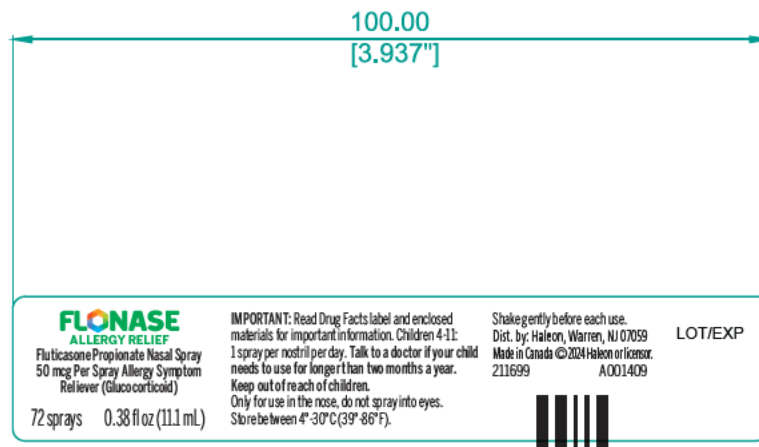


## Backside view



(b) (4)

REGULATORY LEGEND	Actual Size
DRUG FACTS TITLE	N/A
DRUG FACTS CONTINUED	N/A
HEADINGS	N/A
SUBHEADINGS/BODY TEXT	N/A
LEADING	N/A
BULLETS	N/A
# OF CHARACTERS PER INCH	N/A
SPACE BEFORE BULLET	N/A
BARLINES, HARLINES	N/A
SPACE BETWEEN HARLINES AND BOX END	N/A
STATEMENT OF IDENTITY (WHAT IT IS) Vertical	N/A
STATEMENT OF IDENTITY (WHAT IT IS) Horizontal	15.9 pt

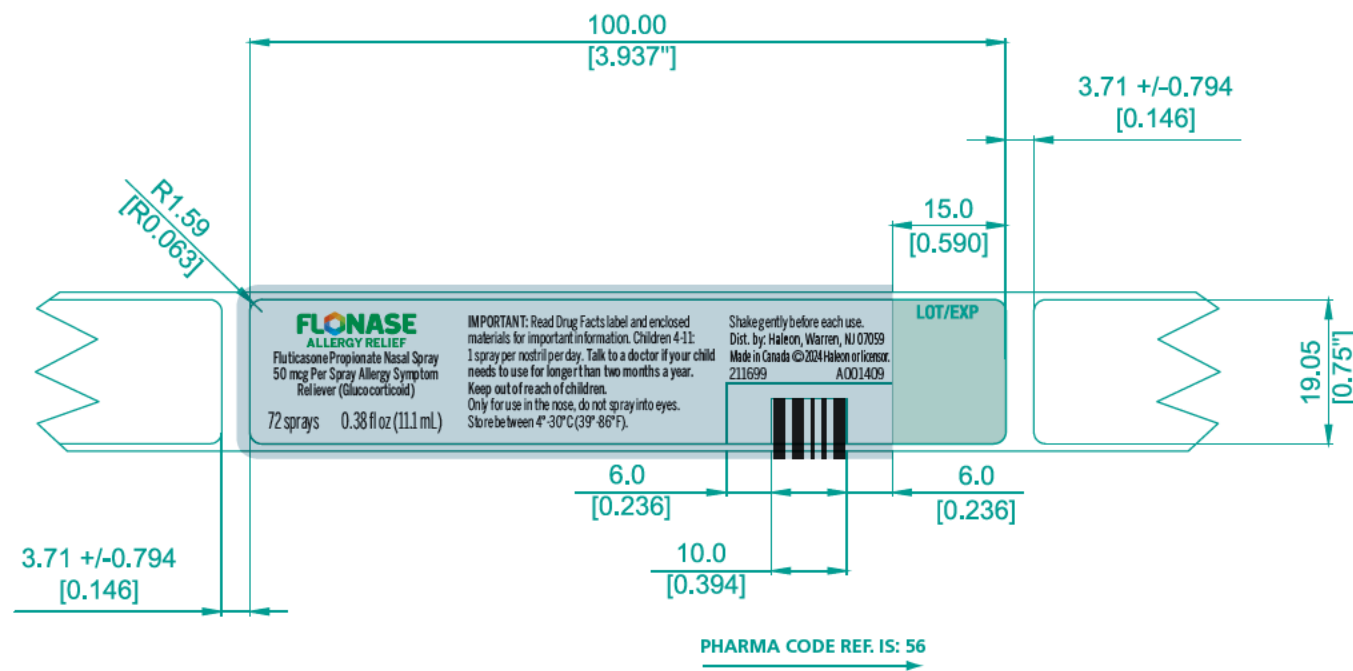


PHARMA CODE REF. IS: 56



**REGULATORY LEGEND**

	Actual Size
DRUG FACTS TITLE	N/A
DRUG FACTS CONTINUED	N/A
HEADINGS	N/A
SUBHEADINGS/BODY TEXT	N/A, 6 pt
LEADING	N/A
BULLETS	N/A
# OF CHARACTERS PER INCH	38
SPACE BEFORE BULLET	N/A
BARLINES, HAIRLINES	N/A
SPACE BETWEEN HAIRLINES AND BOX END	N/A
STATEMENT OF IDENTITY (WHAT IT IS) Vertical	N/A
STATEMENT OF IDENTITY (WHAT IT IS) Horizontal	6 pt



6519A 2

TECHNICAL INFORMATION	
	<b>OVERPRINT AREA</b> TEXT/GRAPHICS FREE LENGTH: 15.0 HEIGHT: 15.0 THIS AREA IS UN-VARNISHED AND FREE-ALL BACKGROUND COLOURS.
	<b>PHARMACODE AREA FOR ONLINE VERIFICATION</b> TEXT/GRAPHICS FREE THIS AREA MUST BE VARNISHED WITH THE SCUFF RESISTANT COATING/VARNISH. MAX. CODE LENGTH: 10.0 LEAD IN: 6.0 LEAD OUT: 6.0 BAR HEIGHT: 6.0 TEXT FREE AREA ABOVE: 2.0 BARCODE COLOUR IS BLACK WITH WHITE BACKGROUND.
	<b>CUT</b>
	XXXXXX REPRESENTS THE TRUNCATED ITEM CODE (TRUNCATED "A" AND LAST 6 DIGITS OF SAP ITEM NUMBER). ITEM CODE MUST BE SHOWN ON ARTWORK AND CAN BE POSITIONED ANYWHERE WITHIN THE TEXT AREA.
	<b>VARNISH AREA</b> SCUFF RESISTANT COATING / VARNISH
	<b>VARNISH FREE</b>
<b>NOTES</b> VARNISH AREA BLEEDS 2MM OVER TRIM LINE. TEXT IS POSITIONED 2MM IN FROM TRIM LINE, ALL AROUND.	
<h1>D1843 Rev 2</h1>	
<b>AMENDMENTS</b>	
1	FIRST ISSUE, CO-0098851.
2	PHARMACODE AREA UPDATED TO INCLUDE SCUFF RESISTANT COATING/VARNISH, ADDED 'MAX' TO CODE LENGTH, CO-0105822.
SUPPLIER VENDOR: 6519A;0	
DRAWING OWNER (SITE): MISSISSAUGA	
<b>PRESSURE SENSITIVE LABEL</b> 19mm x 100mm	
PACKAGING MATERIAL DRAWING PACK ARTWORK SHARED SERVICE	
DRAWING No. <b>6519A</b> VERSION <b>2</b>	
COPYRIGHT AND DESIGN RIGHT IS THE PROPERTY OF THE GLAXOSMITHKLINE GROUP OF COMPANIES	
SCALE: 1:1 ALL DIMS. IN MILLIMETRES AND (INCHES)	GENERAL DRAWING TOLERANCE UNLESS STATED OTHERWISE ± 1/64" or 0.4mm

(b) (4)

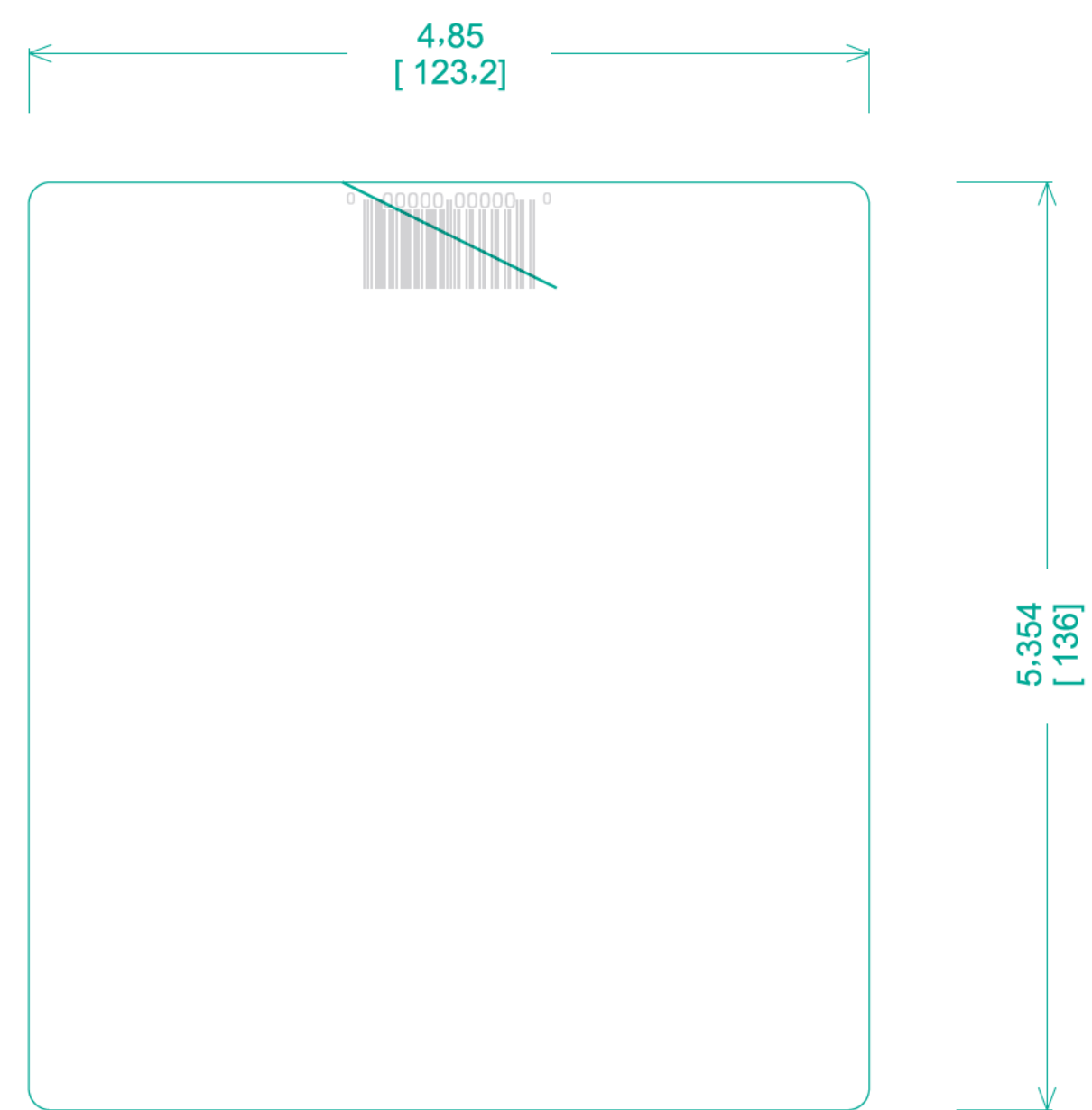
**REGULATORY LEGEND**

	Actual Size
DRUG FACTS TITLE	N/A
DRUG FACTS CONTINUED	N/A
HEADINGS	N/A
SUBHEADINGS/BODY TEXT	N/A, 6 pt
LEADING	N/A
BULLETS	N/A
# OF CHARACTERS PER INCH	38
SPACE BEFORE BULLET	N/A
BARLINES, HAIRLINES	N/A
SPACE BETWEEN HAIRLINES AND BOX END	N/A
STATEMENT OF IDENTITY (WHAT IT IS) Vertical	N/A
STATEMENT OF IDENTITY (WHAT IT IS) Horizontal	6 pt

## Front side view

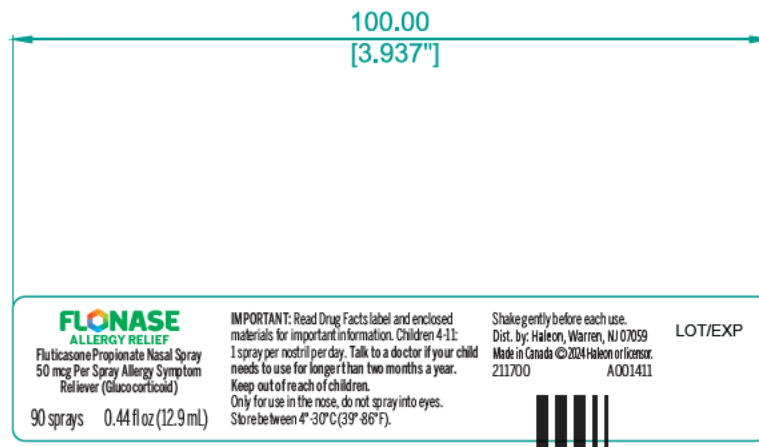


## Backside view



(b) (4)

REGULATORY LEGEND	Actual Size
DRUG FACTS TITLE	N/A
DRUG FACTS CONTINUED	N/A
HEADINGS	N/A
SUBHEADINGS/BODY TEXT	N/A
LEADING	N/A
BULLETS	N/A
# OF CHARACTERS PER INCH	N/A
SPACE BEFORE BULLET	N/A
BARLINES, HARLINES	N/A
SPACE BETWEEN HARLINES AND BOX END	N/A
STATEMENT OF IDENTITY (WHAT IT IS) Vertical	N/A
STATEMENT OF IDENTITY (WHAT IT IS) Horizontal	15.9 pt

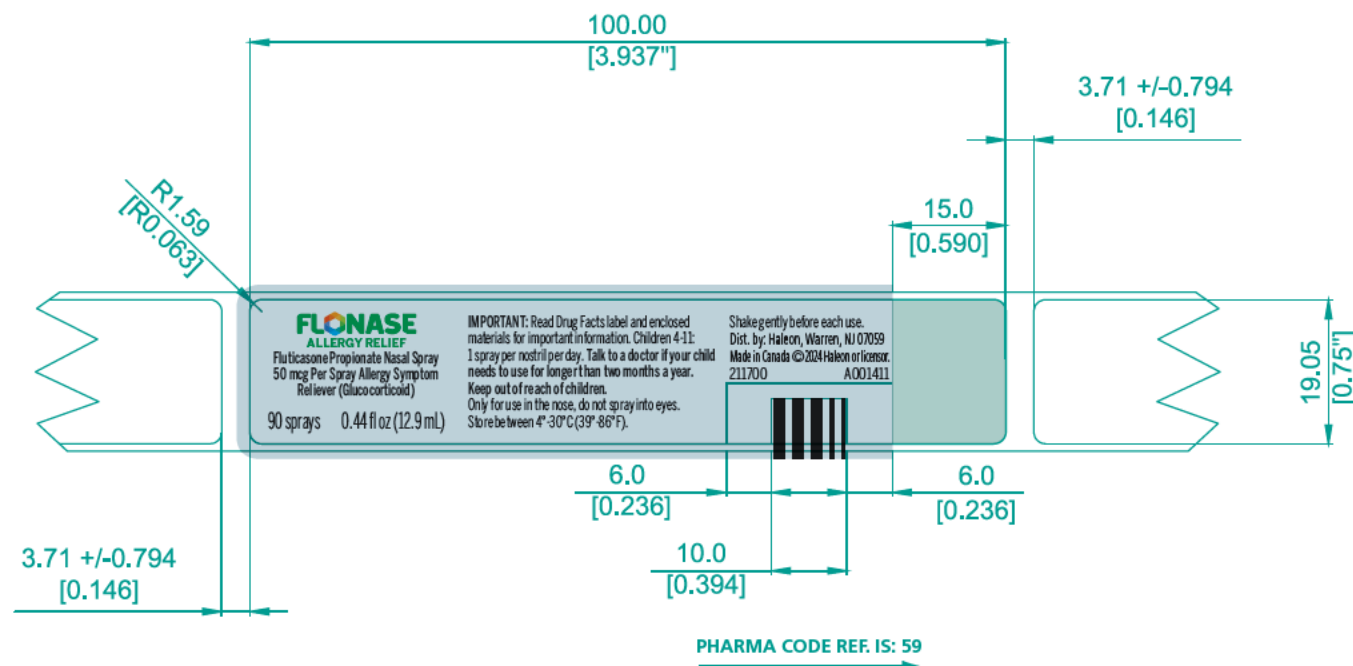


PHARMA CODE REF. IS: 59



**REGULATORY LEGEND**

	Actual Size
DRUG FACTS TITLE	N/A
DRUG FACTS CONTINUED	N/A
HEADINGS	N/A
SUBHEADINGS/BODY TEXT	N/A, 6 pt
LEADING	N/A
BULLETS	N/A
# OF CHARACTERS PER INCH	38
SPACE BEFORE BULLET	N/A
BARLINES, HAIRLINES	N/A
SPACE BETWEEN HAIRLINES AND BOX END	N/A
STATEMENT OF IDENTITY (WHAT IT IS) Vertical	N/A
STATEMENT OF IDENTITY (WHAT IT IS) Horizontal	6 pt



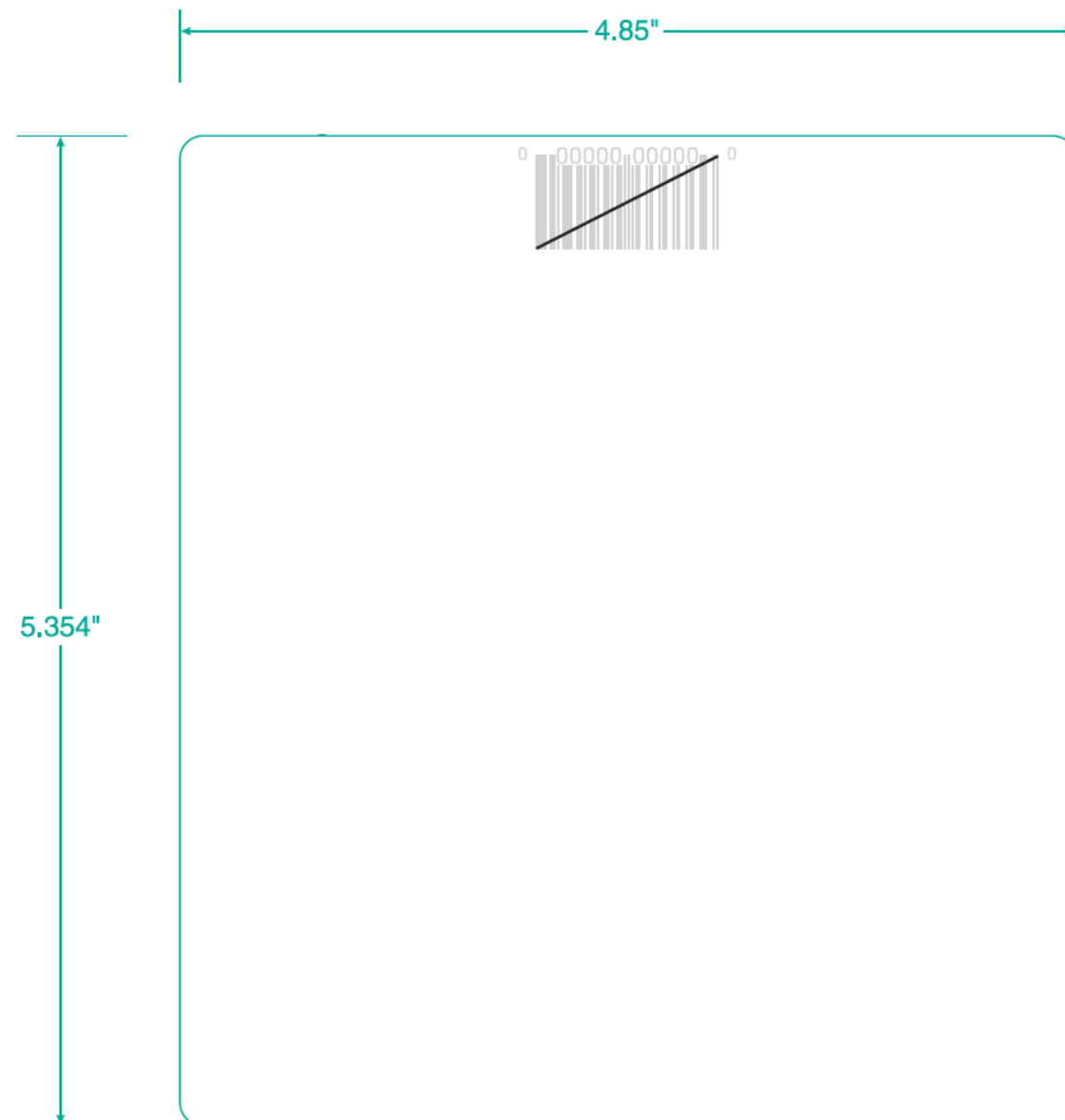
6519A 2

TECHNICAL INFORMATION	
	<b>OVERPRINT AREA</b> TEXT/GRAPHICS FREE LENGTH: 15.0 HEIGHT: 15.0 THIS AREA IS UN-VARNISHED AND FREE-ALL BACKGROUND COLOURS.
	<b>PHARMACODE AREA FOR ONLINE VERIFICATION</b> TEXT/GRAPHICS FREE THIS AREA MUST BE VARNISHED WITH THE SCUFF RESISTANT COATING/VARNISH. MAX. CODE LENGTH: 10.0 LEAD IN: 6.0 LEAD OUT: 6.0 BAR HEIGHT: 6.0 TEXT FREE AREA ABOVE: 2.0 BARCODE COLOUR IS BLACK WITH WHITE BACKGROUND.
	<b>CUT</b>
	XXXXXX REPRESENTS THE TRUNCATED ITEM CODE (TRUNCATED "A" AND LAST 6 DIGITS OF SAP ITEM NUMBER). ITEM CODE MUST BE SHOWN ON ARTWORK AND CAN BE POSITIONED ANYWHERE WITHIN THE TEXT AREA.
	<b>VARNISH AREA</b> SCUFF RESISTANT COATING / VARNISH
	<b>VARNISH FREE</b>
<b>NOTES</b> VARNISH AREA BLEEDS 2MM OVER TRIM LINE. TEXT IS POSITIONED 2MM IN FROM TRIM LINE, ALL AROUND.	
<h1>D1843 Rev 2</h1>	
<b>AMENDMENTS</b>	
1	FIRST ISSUE, CO-0098851.
2	PHARMACODE AREA UPDATED TO INCLUDE SCUFF RESISTANT COATING/VARNISH, ADDED 'MAX' TO CODE LENGTH, CO-0105822.
SUPPLIER VENDOR	6519A;0
DRAWING OWNER (SITE)	MISSISSAUGA
<b>PRESSURE SENSITIVE LABEL</b> 19mm x 100mm	
PACKAGING MATERIAL DRAWING PACK ARTWORK SHARED SERVICE	DRAWING No. <b>6519A</b> VERSION <b>2</b>
COPYRIGHT AND DESIGN RIGHT IS THE PROPERTY OF THE GLAXOSMITHKLINE GROUP OF COMPANIES	
SCALE: 1:1 ALL DIMS. IN MILLIMETRES AND (INCHES)	GENERAL DRAWING TOLERANCE UNLESS STATED OTHERWISE ± 1/64" or 0.4mm

(b) (4)

**REGULATORY LEGEND**

	Actual Size
DRUG FACTS TITLE	N/A
DRUG FACTS CONTINUED	N/A
HEADINGS	N/A
SUBHEADINGS/BODY TEXT	N/A, 6 pt
LEADING	N/A
BULLETS	N/A
# OF CHARACTERS PER INCH	38
SPACE BEFORE BULLET	N/A
BARLINES, HAIRLINES	N/A
SPACE BETWEEN HAIRLINES AND BOX END	N/A
STATEMENT OF IDENTITY (WHAT IT IS) Vertical	N/A
STATEMENT OF IDENTITY (WHAT IT IS) Horizontal	6 pt



(b) (4)

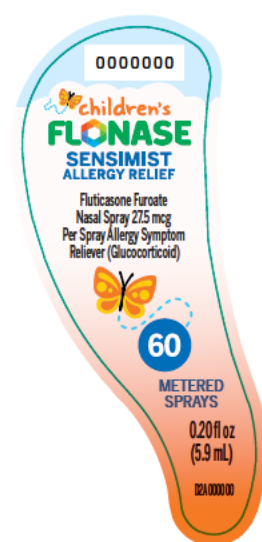
**REGULATORY LEGEND**

	Actual Size
DRUG FACTS TITLE	N/A
DRUG FACTS CONTINUED	N/A
HEADINGS	N/A
SUBHEADINGS/BODY TEXT	N/A
LEADING	N/A
BULLETS	N/A
# OF CHARACTERS PER INCH	N/A
SPACE BEFORE BULLET	N/A
BARLINES, HAIRLINES	N/A
SPACE BETWEEN HAIRLINES AND BOX END	N/A
STATEMENT OF IDENTITY (WHAT IT IS) Vertical	N/A
STATEMENT OF IDENTITY (WHAT IT IS) Horizontal	14.5 pt

**IMPORTANT**

**TEXT IS A PLACEHOLDER ONLY**

LOC is responsible for providing approved text based on CCAT stamped marketing copy document.



129 characters.



(b) (4)

REGULATORY LEGEND	
	Actual Size
DRUG FACTS TITLE	N/A
DRUG FACTS CONTINUED	N/A
HEADINGS	N/A
SUBHEADINGS/BODY TEXT	N/A
LEADING	N/A
BULLETS	N/A
# OF CHARACTERS PER INCH	N/A
SPACE BEFORE BULLET	N/A
BARLINES, HAIRLINES	N/A
SPACE BETWEEN HAIRLINES AND BOX END	N/A
STATEMENT OF IDENTITY (WHAT IT IS) Vertical	N/A
STATEMENT OF IDENTITY (WHAT IT IS) Horizontal	6.5 pt

**IMPORTANT**

**TEXT IS A PLACEHOLDER ONLY**  
 LOC is responsible for providing approved text based on CCAT stamped marketing copy document.

LOT/EXP

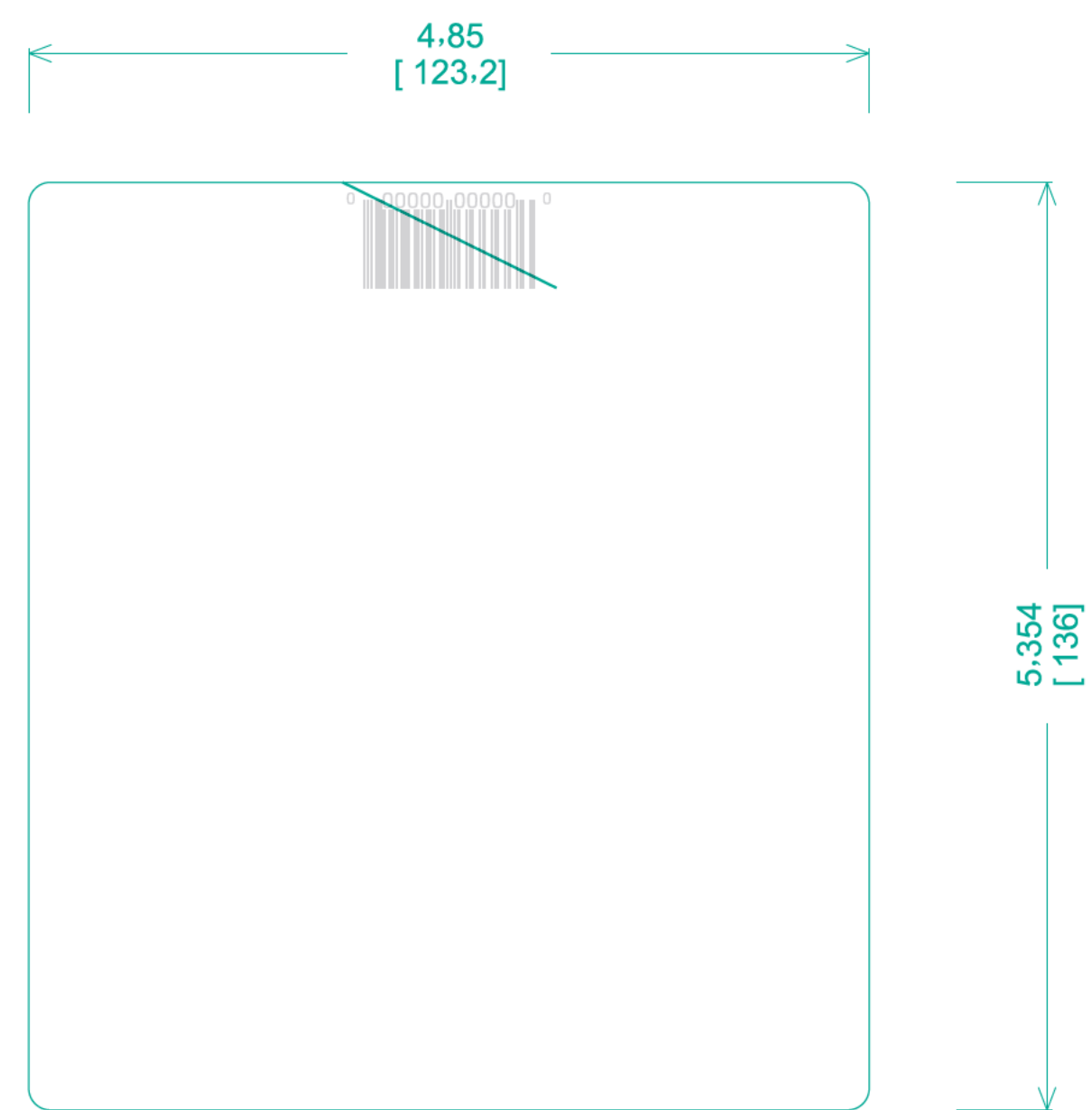
**IMPORTANT:** Read Drug Facts label and enclosed materials for important information. Children 2-11: 1 spray per nostril per day for nasal symptoms. **Talk to a doctor if your child needs to use for longer than two months a year. Keep out of reach of children.** Only for use in the nose, do not spray into eyes. Store between 15°-30°C (59°-86°F). Shake vigorously before each use.

Dist. by:  
Haleon, Warren  
NJ 07059  
©2023  
Haleon or  
licensor.  
www.haleon.com

## Front side view





## Backside view



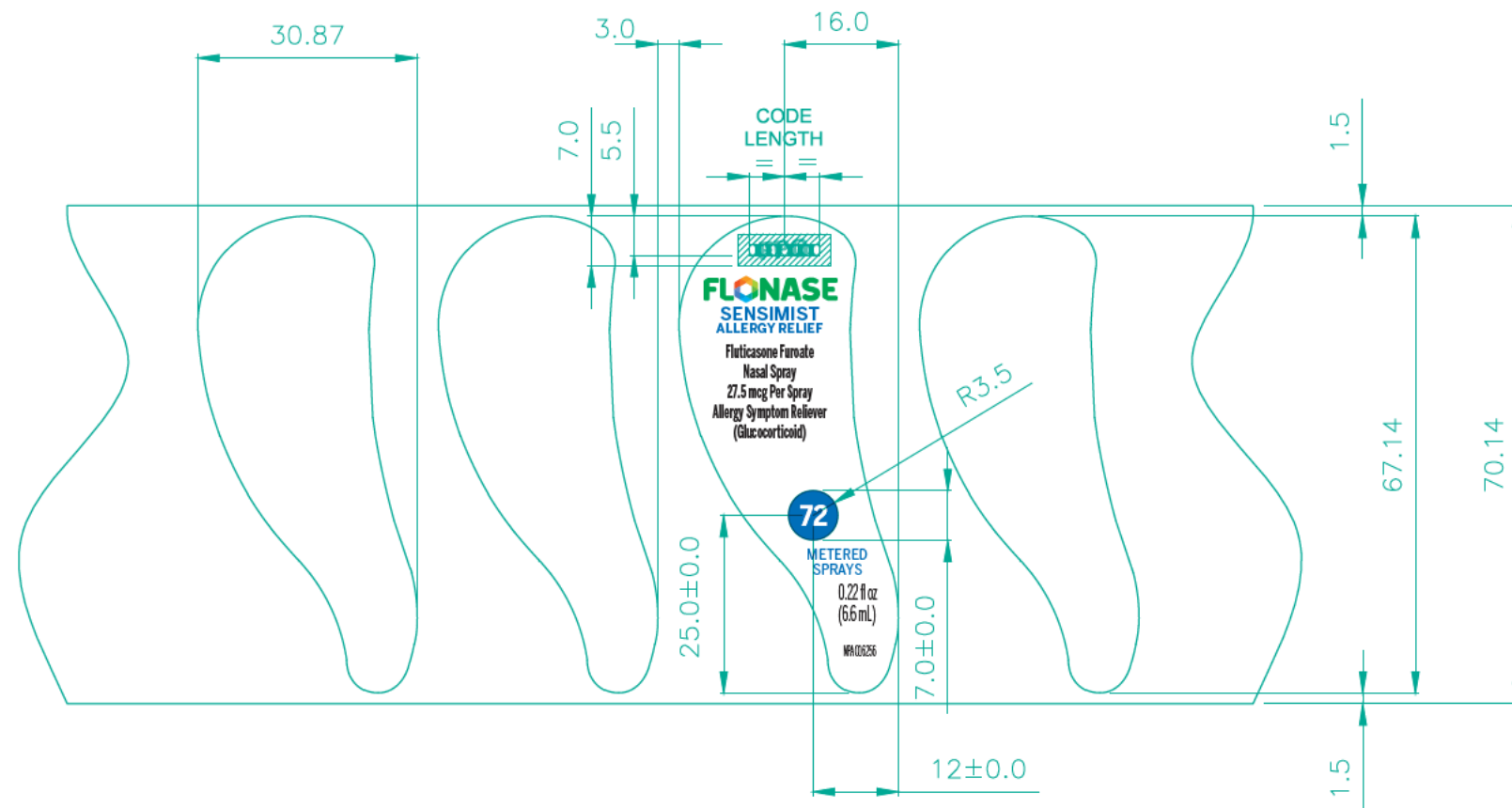
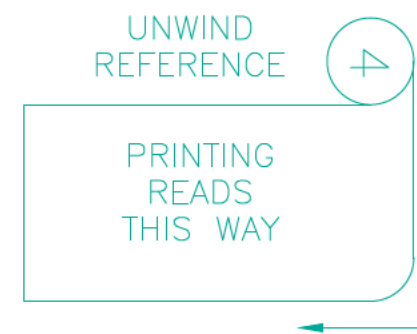
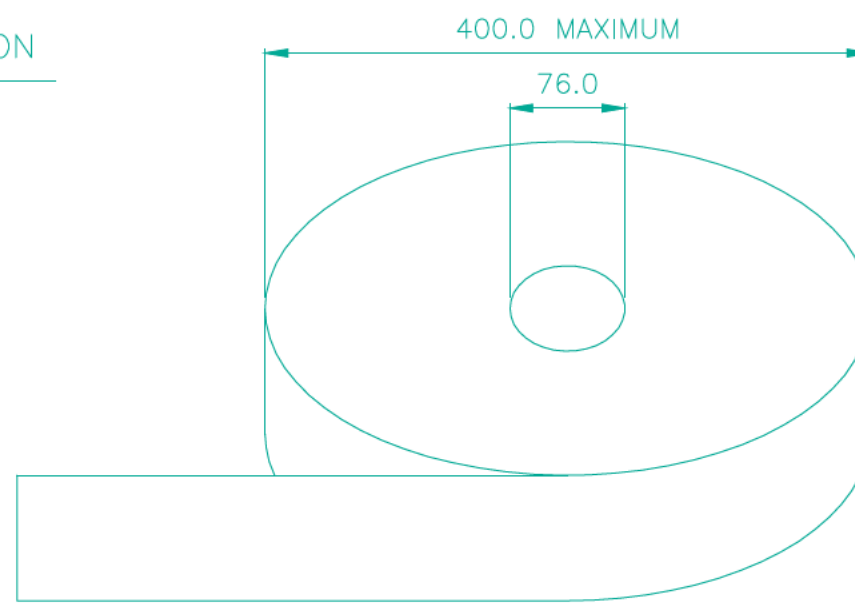
(b) (4)

REGULATORY LEGEND	Actual Size
DRUG FACTS TITLE	N/A
DRUG FACTS CONTINUED	N/A
HEADINGS	N/A
SUBHEADINGS/BODY TEXT	N/A
LEADING	N/A
BULLETS	N/A
# OF CHARACTERS PER INCH	N/A
SPACE BEFORE BULLET	N/A
BARLINES, HARLINES	N/A
SPACE BETWEEN HARLINES AND BOX END	N/A
STATEMENT OF IDENTITY (WHAT IT IS) Vertical	N/A
STATEMENT OF IDENTITY (WHAT IT IS) Horizontal	15.9 pt





ARTWORK CONTENT	USE	INSTRUCTIONS
MATERIAL CODE 	MATERIAL CODE VERIFICATION AND LABEL ORIENTATION BY VISION SYSTEM	<ul style="list-style-type: none"> <li>ALL DEVIATIONS MUST BE AGREED WITH SITE PACK TECH BEFORE ARTWORK CONFIRMATION</li> <li>CONSISTS OF LAST 7 DIGITS OF MERPS MATERIAL CODE</li> <li>FULL MATERIAL CODE TO BE STATED ON ARTWORK INFORMATION BOX AND GMP DOCUMENTATION.</li> <li>CHARACTERS MUST BE 6.00 PT OCR B WITH INTER-CHARACTER SPACING OF 0.5MM</li> <li>SHOULD BE BLACK ON WHITE BACKGROUND</li> <li>MUST BE A MINIMUM 1.50 MM CLEAR AREA AROUND CODE BOX (IE INNER/OUTER BOX)</li> <li>IF AN ALTERNATIVE COLOUR/BACKGROUND USED THEN COLOUR COMBINATION <b>MUST</b> GIVE VISIBLE CONTRAST WHEN ILLUMINATED WITH RED LIGHT <ul style="list-style-type: none"> <li>NOTE RED AND ORANGE APPEAR WHITE IN RED LIGHT, UNPRINTED LABEL MATERIAL IS WHITE GLOSS</li> </ul> </li> </ul>
PRODUCT DOSING DISC 	ORIENTATION OF LABEL POSITION BY VISION SYSTEM	<ul style="list-style-type: none"> <li><b>MUST</b> BE SIZED AND LOCATED AS PER DRAWING</li> <li>COLOUR SELECTION OF THE PRODUCT DOSING DISC, OR EDGE OF PRODUCT DOSING DISC, <b>MUST</b> GIVE A VISIBLE CONTRAST TO THE LABEL BACKGROUND WHEN ILLUMINATED WITH RED LIGHT. <ul style="list-style-type: none"> <li>NOTE: RED AND ORANGE APPEAR WHITE IN RED LIGHT, UNPRINTED LABEL MATERIAL IS WHITE GLOSS.</li> </ul> </li> </ul>

UNWIND DIRECTION



JMM034 4

TECHNICAL INFORMATION		
	CUT LINE	
	TEXT FREE AREA	
<p><b>NOTE:</b> GENERAL SPECIFICATION: JMBGS1, OF LATEST DATE UNWIND REFERENCE 4 THE REEL DIAMETER SHOULD BE A MAXIMUM OF 400MM INTERNAL CORE DIAMETER OF 76MM</p>		
AMENDMENTS		
2	MATERIAL CODE TO BE REMOVED FROM CUTTERGUIDE, GRID LINES TO BE ADDED TO CUTTERGUIDE, MINOR AMENDS TO DRAWING.	
3	ADDED DIMENSIONS TO MATERIAL CODE BOX, UPDATED MATERIAL CODE COLOUR SELECTION, UPDATED PRODUCT DOSING DISC COLOUR SELECTION.	
4	UPDATED GENERAL TOLERANCE +/-0.25 TO +/-0.5mm. CO-0099494.	
WHEN MAKING A CHANGE TO THIS DRAWING YOU MUST CHECK THE DRAWING(S) BELOW FOR IMPLICATION OF CHANGE.		
JMM035 (OF LATEST VERSION)	JMB422 (OF LATEST VERSION)	(OF LATEST VERSION)
DRAWING OWNER (SITE) BARNARD CASTLE		
APPROVED MATERIAL	FASSON PE85 TOP WHITE, S692N ADHESIVE, BG40 WHITE SUPERCALENDERED GLASSINE LINER, RAFLATAC PE GLOSS WHITE TC 85, RP37 ADHESIVE, HD70 WHITE LINER.	
PRESSURE SENSITIVE LABEL FOR 30/60/120 SPRAY FFNS DEVICE 31 x 67 - FRONT OF DEVICE LABEL		
PACKAGING MATERIAL DRAWING PACK ARTWORK SHARED SERVICE	DRAWING No.	VERSION
COPYRIGHT AND DESIGN RIGHT IS THE PROPERTY OF THE GLAXOSMITHKLINE GROUP OF COMPANIES	JMM034	4
SCALE: 1:1 ALL DIMS. IN MILLIMETRES	GENERAL DRAWING TOLERANCE UNLESS STATED OTHERWISE +/-0.5mm	

(b) (4)

REGULATORY LEGEND	Actual Size
DRUG FACTS TITLE	N/A
DRUG FACTS CONTINUED	N/A
HEADINGS	N/A
SUBHEADINGS/BODY TEXT	N/A
LEADING	N/A
BULLETS	N/A
# OF CHARACTERS PER INCH	N/A
SPACE BEFORE BULLET	N/A
BARLINES, HAIRLINES	N/A
SPACE BETWEEN HAIRLINES AND BOX END	N/A
STATEMENT OF IDENTITY (WHAT IT IS) Vertical	N/A
STATEMENT OF IDENTITY (WHAT IT IS) Horizontal	7.32 pt

000000

LOT/EXP

**IMPORTANT:** Read Drug Facts label and enclosed materials for important information. Children 2-11: 1 spray per nostril per day for nasal symptoms.

**Talk to a doctor if your child needs to use for longer than two months a year. Keep out of reach of children. Only for use**

**in the nose, do not spray into eyes. Store between 15°-30°C (59°-86°F).**

Shake vigorously before each use.

Dist. by:  
Haleon, Warren

NJ 07059

©2023

Haleon or  
licensor.

WPK0029

000000

LOT/EXP

**IMPORTANT:** Read Drug Facts label and enclosed materials for important information. Children 2-11: 1 spray per nostril per day for nasal symptoms.

**Talk to a doctor if your child needs to use for longer than two months a year. Keep out of reach of children. Only for use**

**in the nose, do not spray into eyes. Store between 15°-30°C (59°-86°F).**

Shake vigorously before each use.

Dist. by:  
Haleon, Warren

NJ 07059

©2023

Haleon or  
licensor.

WPK0029

-----  
**This is a representation of an electronic record that was signed electronically. Following this are manifestations of any and all electronic signatures for this electronic record.**  
-----

/s/  
-----

MARTHA K LENHART  
10/24/2024 01:59:12 PM